



The Atlona AT-UHD-EX-70C-KIT is an HDBaseT™ transmitter/receiver kit for HDMI transmission up to 230 feet (70 meters) over category cable with RS-232 and IR control plus Power over Ethernet capability. The kit transmits video signals up to 4K/UHD @ 60Hz with embedded multi-channel audio and remote 48V power for the receiver. The kit provides bidirectional extension of both 12 volt IR and RS-232 commands. The kit is HDCP 2.2 compliant and supports EDID communication. Both transmitter and receiver feature quarter rack width metal enclosures for easy rack mounting with rear panel I/O ports for uncluttered wire management.

The AT-UHD-EX-70C-KIT provides integrator-friendly features including: IEEE standards-based PoE transmission for safety and compatibility; HDCP 2.2 compliant for meeting the latest copy protection requirements; rack-mountable form factor for accommodating four transmitters in a single 1U rack tray; power chaining for powering multiple devices from one power supply; and front mounted USB port for easy firmware updates.

The AT-UHD-EX-70C-KIT is ideal for use in residential or commercial point to point applications that require HDBaseT signal transmission over greater distances than HDMI can support. As a transmitter/receiver pair, the kit can be used with the H2H matrix switcher series and third party control systems for long distance AV signal and control extension with PoE capability. On its own, the AT-UHD-EX-70C-RX receiver is designed to take advantage of the powerful UHD-PRO3 series matrices to receive AV, remote power, and control signals.

#### **4K/UHD capability -**

- Compatible with Ultra High Definition sources and displays
- Future proofs AV systems in preparation for technology improvements, 4K/UHD streaming services and playback devices

#### **HDCP 2.2 compliant -**

- Adheres to latest specification for High-bandwidth Content Protection
- Allows protected content stream to pass between devices

#### **Remote-powered receiver -**

- Industry standard IEEE 802.3af PoE for receiver is supplied by transmitter over HDBaseT
- Saves time and integration costs

#### **Bidirectional extension of both RS-232 and IR control commands -**

- Control signals travel over HDBaseT link for maximum control system flexibility
- Eliminates multiple cable runs between source, control system, and display

#### **Long distance HDMI extension -**

- Transmits HDMI signals up to 230 ft (70m) @ 1080P and 130 ft (40m) @ 4K/UHD using CAT6a/7 cable
- Uses easy-to-integrate category cable for low-cost, reliable system installation

## **Connect with BTX**

For product information and ordering, contact us at 1.800.666.0996

## Specifications

### Video Resolutions

Video	4096x2160@24/25/30/50*/60Hz*, 3840x2160@24/25/30/50*/60Hz* (UHD), 2048x1080p, 1080p@23.98/24/25/29.97/30/50/59.94/60Hz, 1080i@50/59.94/60Hz, 720p@50/59.94/60Hz, 576p, 576i, 480p, 480i	
VESA	2560x2048, 2560x1600, 2048x1536, 1920x1200, 1680x1050, 1600x1200, 1600x900, 1440x900, 1400x1050, 1366x768, 1360x768, 1280x1024, 1280x800, 1280x768, 1152x768, 1024x768, 800x600, 640x480	
Colorspace	YCbCr, RGB	
Chroma Subsampling	4:4:4, 4:2:2, 4:2:0	
Color depth	8-bit, 10-bit, 12-bit	

### Audio

Formats	PCM 2Ch, LPCM 5.1, LPCM 7.1, Dolby Digital, DTS 5.1, Dolby Digital Plus, Dolby TrueHD, DTS-HD Master Audio, Dolby Atmos	
Sample Rate	32kHz, 44.1kHz, 48kHz, 88.2kHz, 96kHz, 176.4kHz, 192kHz	
Bit rate	up to 24-bit	

### Distance

CAT5e/6 @ 4K	up to 35 meters	up to 115 feet
CAT6a/7 @ 4K	up to 40 meters	up to 130 feet
CAT5e/6 @ 1080p	up to 60 meters	up to 197 feet
CAT6a/7 @ 1080p	up to 70 meters	up to 230 feet
HDMI IN/OUT@ 4K	up to 5 meters	up to 15 feet
HDMI IN/OUT @ 1080p	up to 10 meters	up to 30 feet

### Signal

Bandwidth	10.2 Gbps
CEC	Yes
HDCP	supports up to 2.2

### Temperature

Operating	0°C to 50°C	32°F to 122°F
Storage	-20°C to 60°C	-4°F to 140°F
Humidity	20 to 90% non-condensing	

### Power

Consumption	10.89W
Supply	Input: AC 100~240V 50/60Hz Output: DC 48V 0.83A

### Dimension

H x W x D	25 x 109 x 89 (mm)	0.98 x 4.29 x 3.50 (inch)
w/ears	27 x 119 x 89 (mm)	1.06 x 4.69 x 3.50 (inch)

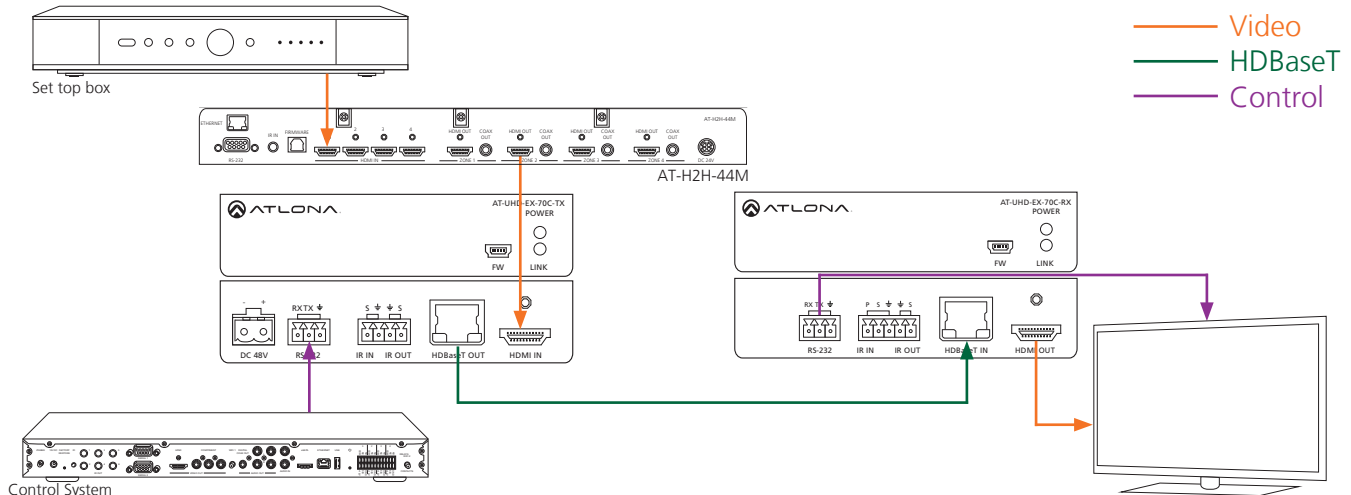
### Weight

TX Unit	0.27 kg	0.59 lbs
RX Unit	0.33 kg	0.73 lbs

### Certification

Power Supply	CE, FCC, cULus, RoHS, CCC, RCM
Product	CE, FCC

\*\*4096x2160@50/60Hz & 3840x2160@50/60Hz supported @ chroma subsampling 4:2:0 8-bit only



Specifications and availability subject to change without notice. Actual products, product images, and online product images may vary from images shown here. Not responsible for typographical errors.