



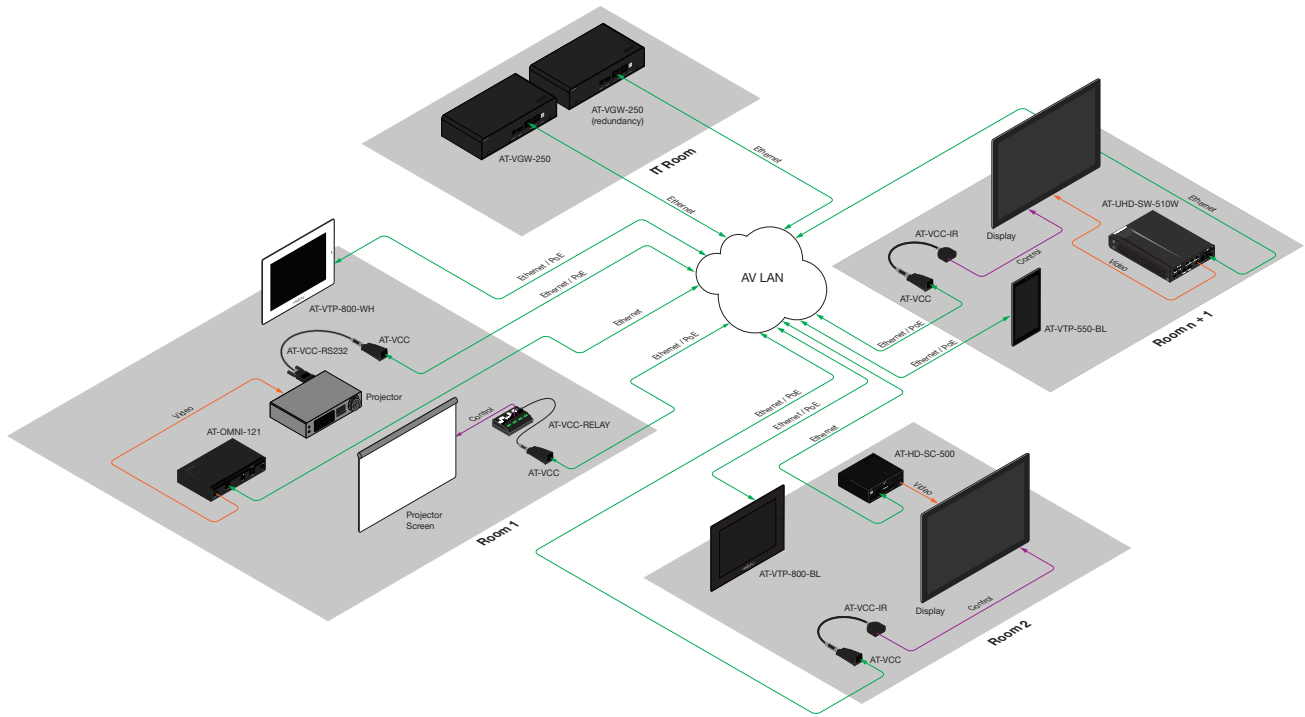
Introduction

The Atlona **AT-VCC-RS232-KIT** is an accessory for the Atlona Velocity[™] Control System that provides conversion between IP and RS-232 control commands. This Velocity Control Converter is very compact and can be placed anywhere a device requires control and is not IP-capable. The VCC-RS232-KIT is remotely powered through Power over Ethernet (PoE), or locally from a USB power source. The primary unit installs onto any surface via a convenient mounting dock. A simple “click” locks it into place for a secure, reliable installation. An RS-232 gender changer is included.

Key Features

- Provides conversion between IP and RS-232 control commands for the Velocity Control System
- Compact form factor – inconspicuous and easily concealable
- Easy to set up and configure using the Velocity Control Suite
- Remotely powered via PoE (Power over Ethernet)
- Also can be powered through USB from a nearby USB power source
- Primary unit installs onto any surface via a convenient mounting dock – simple “click” locks device into place
- 5 foot (1.5 meter) RS-232 adapter cable
- Includes gender changer for male DE-9 connector
- Award-winning 10 year limited product warranty

Connection Diagram



Specifications

Ports		
Network Connection	RJ-45, 100/10 Mbps Ethernet Protocol	
RS-232	DB9, male, with gender changer 5 feet cable with 3.5 mm mini-stereo connector Full support for Tx, Rx, CTS, RTS, DTR, and DTS signals Bidirectional communication with hardware handshaking	
Power		
USB	Micro-B	
PoE	802.3af-compliant	
Dimensions		
	Inches	Millimeters
H x W x D (AT-VCC-RS232)	0.60 x 1.28 x 2.20	15.24 x 32.51 x 55.88
H x W x D (AT-VCC)	0.82 x 1.22 x 2.58	20.82 x 30.98 x 65.53
Weight		
	Pounds	Kilograms
AT-VCC-RS232	0.10	0.04
AT-VCC	0.05	0.02