

ENGLISH

TABLE OF CONTENTS

IMPORTANT SAFETY INFORMATION.....	2
PARTS AND FUNCTIONS.....	3
INSTALLATION.....	6
TURNING THE DISPLAY ON/OFF.....	7
INITIAL SETUP.....	8
OPERATION SYSTEM SETTINGS.....	9
APPLICATIONS.....	17
CONNECTIVITY.....	20
EXTERNAL CONTROL.....	21
TROUBLESHOOTING.....	45
TESTING AND COMPLIANCE.....	45
WARRANTY.....	46



V2-P43ES

V2-P55ES

V2-P65ES

FRANÇAIS

TABLE DES MATIÈRES

CONSIGNES IMPORTANTES DE SÉCURITÉ.....	48
PIÈCES ET FONCTIONS.....	49
INSTALLATION.....	52
MISE EN MARCHÉ/ARRÊT DU TÉLÉVISEUR.....	53
CONFIGURATION INITIALE.....	54
PARAMÈTRES DU SYSTÈME D'EXPLOITATION.....	55
APPLICATIONS.....	64
CONNECTIVITÉ.....	67
COMMANDE EXTERNE.....	69
DÉPANNAGE.....	96
TESTS ET CONFORMITÉ.....	97
GARANTIE.....	98

For more information please call

1-833-574-9124

or email AVARRO@adiglobal.com

To learn more about **AVARRO products**
visit avarro.adiglobaldistribution.us



IMPORTANT SAFETY INFORMATION

READ ALL INSTRUCTIONS BEFORE INSTALLATION AND USE. KEEP THIS MANUAL FOR FUTURE REFERENCE.



Risk of Electric Shock or Fire

- TO REDUCE THE RISK OF ELECTRIC SHOCK, DO NOT REMOVE COVER (OR BACK). NO USER-SERVICEABLE PARTS INSIDE. REFER SERVICING TO QUALIFIED SERVICE PERSONNEL.
- DO NOT overuse plugs and extension cords.
- DO NOT open the cover of the monitor or insert objects into the vents.
- In extreme weather (storms, lightening), disconnect the product from the outlet.
- DO NOT use unauthorized parts for repair.
- DO NOT remove or insert the power plug with wet hands.

WARNINGS:

- This device is not intended for use by persons (including children) with limited physical, sensory or mental capabilities or lack of experience and/or knowledge, unless they are supervised or instructed concerning use of the device by a person responsible for their safety.
- Follow all warnings and instructions marked on the product and outlined in this manual.
- For indoor use only.
- Unplug the product before cleaning and use only a damp cloth or LCD display cleaner. DO NOT apply the cleaner directly to the product.
- DO NOT place the product near wash basins, sinks, pools, or other sources of water.
- DO NOT expose the product to dripping or splashing liquid and do not place objects filled with liquid, such as vases or cups, on or above the product.
- Leave at least 5cm clearance between the product and walls or furniture to ensure adequate ventilation.
- The product can only be powered by the power source defined on its rating plate. For further information, please contact your salesperson.
- DO NOT connect the power cord to a power strip or an extension cord. Use of these products may lead to overheating and fire.
- As a safety precaution, a three-prong grounding plug is included with the product. Never attempt to modify the grounding plug. Always use a grounded power outlet for the product.
- Install the product in a location where its operation will not cause interference with electric cables.
- If the product will not be in use for an extended period of time, unplug the product's power cord from the outlet.
- Install the product in a well-ventilated location protected from bright light, heat and moisture.
- Product temperature must be maintained at 0 C° - 40 C° to avoid risk of permanent damage.
- Always use the grounded power cord supplied with your product and plug the cord into a grounded outlet. The manufacturer is not responsible for any damage caused by improper power cords or lack of grounding.
- The product must be installed near an easily accessible, grounded power outlet.
- DO NOT touch parts of the product that become hot. Prolonged exposure may result in low-temperature burns.
- The LCD panel is made of glass, which can break if the product is dropped or sustains forceful impact. Should this occur, exercise caution when handling broken glass to avoid injury.
- Usage of the product must not be accompanied by fatal risks or dangers that could lead directly to death, personal injury, severe physical damage or other loss, such as nuclear reaction control in a nuclear facility, medical life support systems or missile launch control in a weapons system.
- DO NOT expose the product to direct sunlight. DO NOT place an open flame, such as a lit candle, on

or near the product.

- DO NOT place any heat source, such as a heater or radiator, near the product.
- Only adjust controls as described in the operating instructions. Improper adjustment of controls can cause damage, often requiring extensive repair by a qualified technician.
- DO NOT shake the product. Ensure that it remains stable and secure.
- DO NOT keep your product in an extremely hot or cold environment.
- To avoid danger of suffocation, keep plastic bags out of the reach of children.
- Exercise caution when connecting cables to the input and output terminals. Reversing input and output connections may cause malfunctions and other problems.
- DO NOT obstruct vent openings; proper ventilation prevents the unit from overheating. Never insert an object into the product's vent openings.

NOTE: Equipment connected to the protective grounding of a building and to a cable distribution system using coaxial cable may create a fire hazard. Connection to a cable distribution system therefore must be established through a device providing electrical isolation below a certain frequency range (galvanic isolator, see EN 60728-11).

PARTS AND FUNCTIONS

PACKAGE CONTENTS

- Display
- Remote Control
- Batteries: 2 x AAA
- Display Stand
- Power Cord (59")
- Quick Start Guide
- User Manual

SPECIFICATIONS

Panel type		43" (108cm) 16/7 DLED	55" (139cm) 16/7 DLED	65" (164cm) 16/7 DLED
Resolution		3840x2160 (16:9) UHD	3840x2160 (16:9) UHD	3840x2160 (16:9) UHD
Vision angle	Horizontal	89°	89°	89°
	Vertical	89°	89°	89°
Max. brightness		Typ: 350 cd/m ²	Typ: 350 cd/m ²	Typ: 350 cd/m ²
H-Frequency		60 KHz	60 KHz	60 KHz
V-Frequency		67.5 KHz	67.5 KHz	67.5 KHz
Display Dimensions Depth x Length x Height (mm)		2.59"(66mm) x 37.9"(964mm) x 22" (561mm)	2.59"(66mm) x 48.5"(1233mm) x 28"(712mm)	2.8"(72mm) x 57.1"(1452mm) x 32.9" (837mm)
Weight lbs (kg)		7	13.25	18.75
Power		110-240V AC 50-60Hz, 120W	110-240V AC 50-60Hz 140W	110-240V AC 50-60Hz 200W
Audio		2 x 10 W Audio Output Power	2 x 10 W Audio Output Power	2 x 8 W Audio Output Power

Network Connection

1 x Ethernet (LAN) for Internet connectivity

802.11 a/b/g/n/ac built in WLAN support

Input/Output Ports

1 x RS-232 port (3.5 mm)

1 x Ethernet port

1 x USB 3.0 port (5VDC max900mA)

1 x USB 2.0 port (5VDC max500mA)

2 x HDMI 2.0 IN port (1.4 for FHD panels)

1 x RJ12 port (for service use only)

Wireless LAN Transmitter Specifications

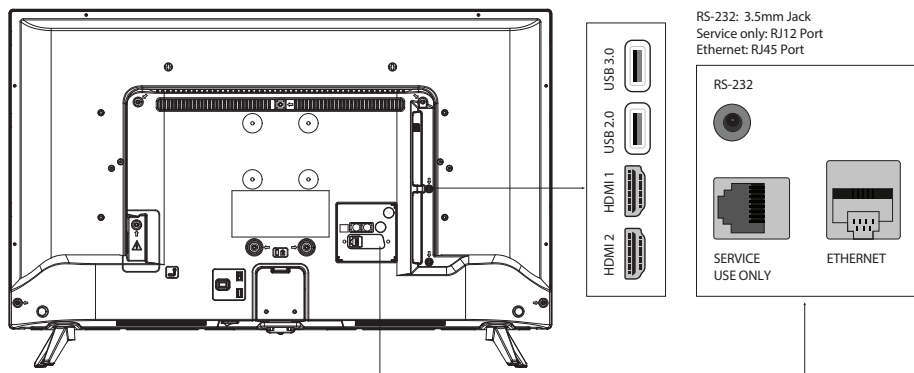
Frequency Ranges	Max Output Power
2400 - 2483,5 MHz (CH1 - CH13)	< 100 mW
5150 - 5250 MHz (CH36 - CH48)	< 200 mW
5250 - 5350 MHz (CH52 - CH64)	< 200 mW
5470 - 5725 MHz (CH100 - CH140)	< 200 mW

Check with local authorities for the current status of national regulations for both 2.4 GHz and 5 GHz wireless LANs.

PANEL AND PORTS

Be sure to **turn off the main power switch** and **disconnect the plug from the power outlet** before connecting/disconnecting cables. Also, read the manual of the equipment to be connected.

 **Note: Uncertified HDMI cables or those longer than 16 feet (5 meters) can cause display problems. Use certified, premium high-speed HDMI cable.**



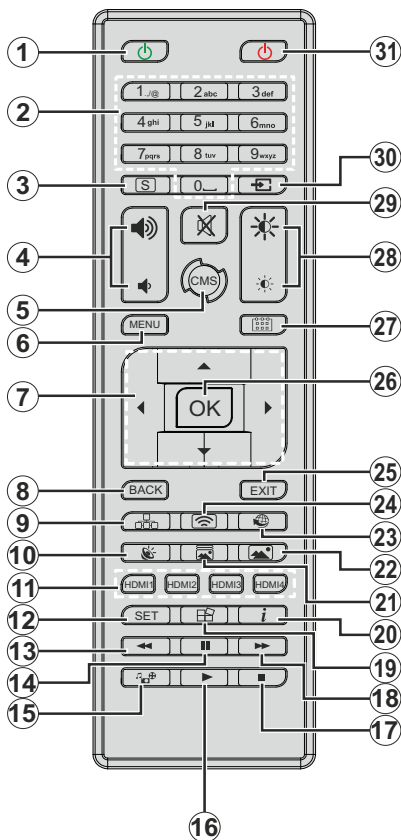
REMOTE CONTROL

Inserting the Batteries into the Remote

1. Remove the screw that secures the battery compartment cover, then remove the cover.
2. Insert two 1.5V, AAA batteries, ensuring that the (+) and (-) signs match those marked on the remote.
3. Reattach the cover and secure in place with the screw. Do not overtighten.

Standby Button

1. Press and hold the **Standby-Off** button until the **Power Off** dialogue appears on the screen.
2. Highlight and press the **OK** button. The display will switch into standby mode.
3. Press the **Standby-Off** button briefly and release to switch to quick standby mode or to turn the display on when in quick standby or standby mode.



1. **Standby-On:** Turns on the display
2. **Numeric buttons:** Used to enter numbers/letters in the text box on the screen
3. **Signage:** Displays the **Signage Settings** menu
4. **Volume +/-:** Increases or decreases the volume
5. **CMS:** **This setting can be found in Display Settings > Signage Settings > Power Up Settings. Be sure this is set to Enabled. If set to Disabled it will not work.**
6. **Menu:** Opens the **Display Settings** menu
7. **Directional buttons:** Navigate menus, content, etc.
8. **Back:** Returns to previous screen
9. **Network:** Displays the **Network & Internet** menu
10. **Sound:** Displays the **Sound** menu
11. **HDMI Buttons:** Switches the HDMI input source
12. **Set:** Freezes the current displayed image. Press again to unfreeze image.
13. **Rewind:** Pauses media/input being played
14. **Pause:** Pauses the media being played
15. **Media Player:** Launches the media player application
16. **Play:** Resumes playing the paused media, starts to playback from the beginning
17. **Stop:** Stops the media being played
18. **Fast forward:** Moves frames forward
19. **Displays** the menu
20. **Info:** Displays information about on-screen content,
21. **Picture Mode:** Opens the picture mode selection screen. Use the Left or Right directional buttons to change the picture mode
22. **Picture:** Displays the **Picture** menu
23. **Internet:** Launches browser application
24. **Wireless Display:** Opens the wireless display connection screen
25. **Exit:** Closes displayed menus or returns to previous screen
26. **OK:** Confirms user selections
27. **Scheduler:** Displays the **Scheduler Settings** menu
28. **Brightness +/-:** Increases or decreases the brightness of the screen
29. **Mute:** Volume off
30. **Source:** Shows all available content sources
31. **Standby-Off:** Display off

Using the Remote Control

- Press the **Back/Return** or **Exit** button to display or return to the Home Screen.
- Press the **Menu** button to view **Display Settings**. Use directional buttons to highlight the desired option and press **OK** to adjust settings, set preferences, access submenus, launch applications and more.

Input Selection


- Once you have connected external systems to your display, you can switch to different input sources.
- Press the **Source** button on your remote control. Use the directional buttons to highlight a source option and press **OK** to switch to that source. Or press the dedicated HDMI button on the remote.

Adjusting Volume and Brightness

- Adjust the volume by using **Volume +/-** buttons and the brightness by using **Brightness +/-** buttons on the remote.
- Adjust the brightness using the **Brightness** option in **Display Settings > Picture**. Press the **Menu** button on the remote to view the **Display Settings** menu.

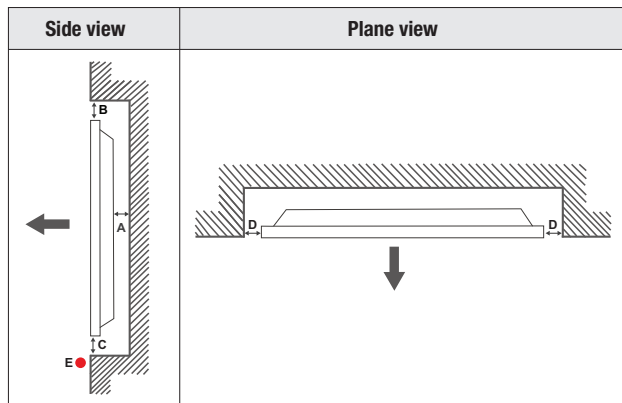
INSTALLATION

MOUNTING

 **WARNING:** When mounting the product on a wall, be sure to install according to the method recommended by the manufacturer.

- Read all instructions before mounting the product to a wall.
- Wall mounts are optional and can be purchased from your local salesperson.
- Do not install the product on an inclined wall.
- Use the specified wall mounting screws and other accessories.
- Tighten the wall mounting screws firmly to prevent the product from falling. Do not over-tighten the screws.

Installation Within a Recessed Wall



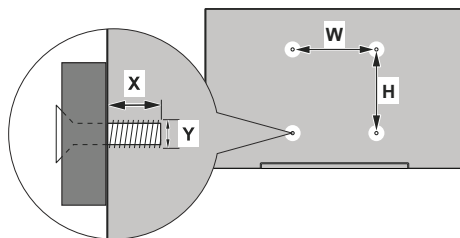
- A** Minimum 2" (50mm)
- B** Minimum 2.75" (70mm)
- C** Minimum 2" (50mm)
- D** Minimum 2" (50mm)
- E** Ambient temperature range: 0-40°C



When installing the product within a recessed wall, allow at least the space specified above between the product and wall for ventilation and ensure that the ambient temperature is kept between 0°C-40°C.

The manufacturer is not responsible for any damages or failures caused by improper use or installation of this product.

VESA MEASUREMENTS



Size	W	H	Length (X) min/max	Thread (Y)
43"	100mm	100mm	6-9mm	M4
55"	200mm	200mm	8-11mm	M6
65"	400mm	200mm	6-9mm	M6

TURNING THE DISPLAY ON/OFF

IMPORTANT: The display is designed to operate with a 110-240VAC, 50/60 Hz power supply.

Turn the Display ON

- Plug the female end of the provided power cord into the power inlet on the back of the display (AC IN) and plug the male end of the power cord into the power supply.
- Turn on the power switch on the display, located on the back, bottom right of the unit. The display will switch into standby mode and the power LED will go on.
- Press the Standby-On button or the Control button on the display.

Standby Mode

- Press and hold the Standby-Off button on the remote control. The power off dialogue will appear on the screen.
- Highlight OK and press the OK button. The display will switch into Standby Mode.

Quick Standby Mode

- Press the Standby-Off button on the remote control or press the control button on the display (while Home Screen is displayed).
- To return to operating mode, press the button again.

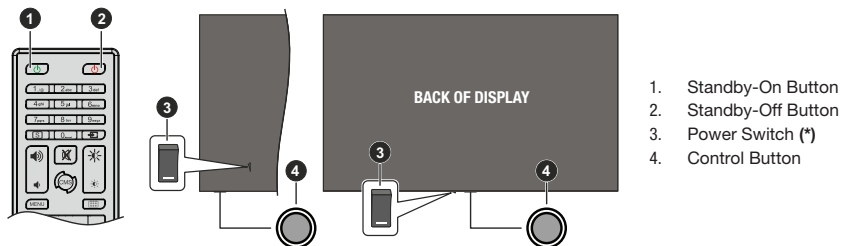
Note: If the Power Mode option is enabled (Standard mode), the display will switch into standby mode when the Standby-Off button is pressed.

To access **Power Up Mode**, go to **Display Settings > Signage Settings > Power Up Settings**.

To access **Standby Mode LED**, go to **Display Settings > System Settings > More**.

Turn the Display OFF

Flip the power switch on the display to the OFF position. The display will switch off. To power down the display completely, unplug the power cord from the power supply.



Power LED Status	Status of the Display
LED OFF	Power ON (operating mode)
LED ON	Power OFF (standby mode, quick standby mode)
LED flashing (slow)	Turning on or OFF
LED flashing (fast)	Software update

INITIAL SETUP

Follow the on-screen instructions to setup your display. The installation wizard will guide you through the setup process.

Note: The last screen of the installation wizard will be the OTA mode screen, select "Disabled" then your settings will be saved.

1. Language

Select the desired language from the list and press **OK**.

2. Country

Select your country from the list and press **OK**.

3. Signage Settings

Set ID, **OSD Orientation** and **NTP server** options can be configured using this menu. **Model name**, **Serial number**, and **Software version** are for information only. Save this information to a USB storage device using **Save model information**. You can also copy database files from a USB storage device to the display using **Clone from USB**. Refer to **Signage Settings** for more information on the options in this menu. After the settings are completed, highlight **Next** and press **OK**.

4. Auto Launch

Set your Auto Launch preference for the display: **Disabled**, **HTML5 CMS Launcher**, **Open Browser**, **VsignLite**, **Select Source**, or **Select Application**. For **Select Source** and **Select Application** you will have to set the available source or application of your choice. You can change your preference at any time using the Auto Launch option in **Display Settings > Signage Settings > Power Up Settings**.

5. Display Operation Mode

For normal operation set the **Power Mode** to **Standard**. Set to **Eco** for energy-efficient operation. Note that, in **Eco** mode the RS232/LAN Commands will not work when the display is in standby mode. You can also set your preference for the HDMI Wake Up feature here. Refer to **Power Up Settings** for more information on the options of this menu. After settings are completed, highlight **Next** and press **OK**.

6. Network/Internet Settings

Configure your display's network settings using the options in this menu:

Wired Connection

Connect the display to a network using an Ethernet cable before proceeding with the wired connection. Set the **Network Type** option to **Wired Device**. Use the **Advanced Settings** menu options to set the IP and DNS parameters manually. Highlight **Save** and press **OK** to save settings when complete. You can also enable or disable the Network Standby Mode feature by setting this option accordingly. This allows a device to be turned on or woken up by a network message when it is in standby mode. Refer to **Network Standby Mode** section for more information. Connection status information will be displayed at the bottom of the screen.

Wireless Connection

Set the **Network Type** option to **Wireless Device**. Refer to the **Network & Internet** for detailed information on how to use this menu. After the settings are completed, press the **Back/Return** button to return to the initial setup. Highlight **Next** and press **OK**.

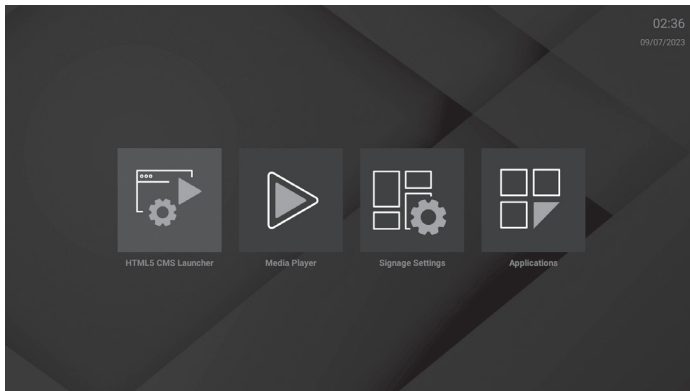
7. Manufacturer Usage & Diagnostics

You will be asked to consent to the collection of your data. Read the text on the screen for detailed information. Highlight **Accept** and press **OK** to give your consent. To **skip** without giving your consent, select **Skip**. When the initial setup is completed Home Screen will be displayed. You can repeat the initial setup process and reset the display's settings to the factory defaults anytime using the **Display Reset** option in the **Display Settings > Signage Settings** menu.

Note: You will be asked to enter the PIN to perform initial set up. If you didn't define a PIN during the initial setup, you can use the default PIN: 0000.

OPERATION SYSTEM SETTINGS

HOME SCREEN



After initial setup, the display will launch the Home Screen, which includes 4 options:

1. HTML5 CMS Launcher
2. Media Player
3. Signage Settings
4. Applications

Note: To change the **Auto Launch** setting, press "MENU" button to go to **Display Settings > Signage Settings > Power Up Settings**.

The Home Screen may also be accessed by pressing the **Back/Return** or **Exit** button during operation.

HTML5 CMS (Content Management System) Launcher

The launcher will locate the “index.html” file in the folder created for the CMS files on the display’s internal storage and opens it in the web browser. For trouble-free operation of the CMS launcher, enable storage permission for the Vewd browser:

1. Press the **Menu** button. Then press **3-2-9-1** on the remote to access **Operating System Settings**.
2. Select **Storage** in **Apps > App permissions**, highlight **Vewd** browser and press **OK** to enable.
3. Highlight **HTML5 CMS Launcher** on the Home Screen and press **OK**.
4. Install new **CMS files**:
 - a. **URL**:
 1. Enter the URL of the file, highlight and press **OK**.
 2. The file will be downloaded and extracted to a dedicated folder on the display’s internal storage.
 - b. **USB**: Ensure that the file name is "cms.zip."
 1. Connect the USB storage device to the display. Highlight the file name and press **OK**.
 2. The file will be downloaded and then extracted to a dedicated folder on the display’s internal storage.

Media Player

Highlight Media Player on the Home Screen and press **OK** or press the **Media Player** button on the remote.

The Media Player features 3 media types:

1. **Image**
 - Sort or group files, change viewing style, start a slideshow, etc.
 - When you start a slide show, all photo files in the current folder will be displayed in an infinite loop. Press the **OK** or **Back/Return** button to stop the slide show.
2. **Music**
 - Use tabs at the top of the screen to sort files.
 - Highlight and press **OK** for playback.
 - Use media control buttons on the Now Playing Screen to play, shuffle, etc.
3. **Video**
 - Select **Local Disk** or a connected USB storage device, highlight a video file and press **OK** to play it back.
 - Use info bar buttons for video playback and to configure settings. The info bar will be hidden after a short interval. Press **OK** to reveal the info bar again. Press the **Back/Return** button to stop the playback and return to the Media Player screen.

Connecting a USB Device

IMPORTANT! Back up the files on your USB storage devices before connecting them to the display. Manufacturer will not be responsible for any file damage or data loss. Certain types of USB devices (e.g. MP3 players) or USB drives may not be compatible with this display.

You can view files on a USB storage device by plugging the USB into one of the USB inputs on the display.

On the main media player screen, select the desired media type. Then, highlight a media file and press the **OK** button. Follow on-screen instructions.

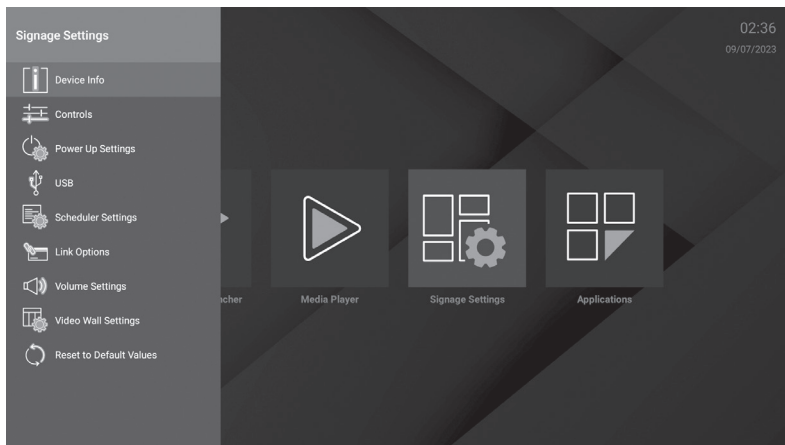
Note: After plugging in or unplugging a USB, allow several moments for the media player to read files. Use the **Safely Remove** option in the **Signage Settings > USB** menu or the **USB Safely Remove** option in the File Manager application. Failure to do so may cause physical damage to the USB player or device. Do not unplug the USB while playing a file.

USB Auto Play

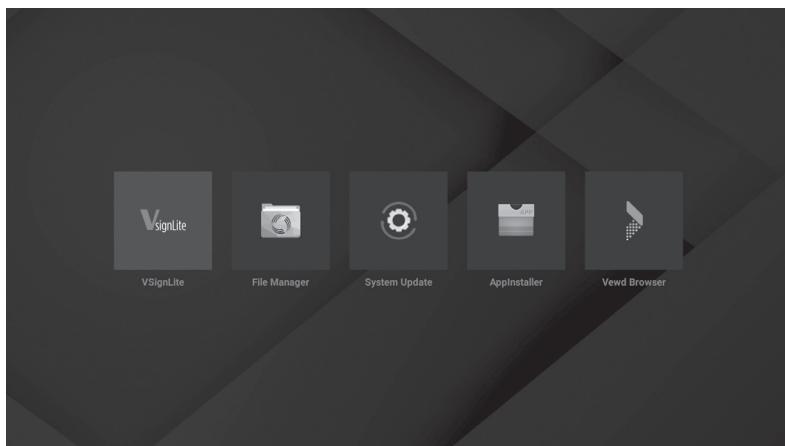
This feature uses the Media Player application to automatically play content stored on a removable device. Images are played first (in file name order), Video files second. If no Image files are present, the Media Player will search and play Video content. The USB Auto Play feature will only work if:

1. The USB device is plugged in.
2. The **USB Auto Play** option is enabled. This can be found in **Display Settings > System Settings > More** menu.

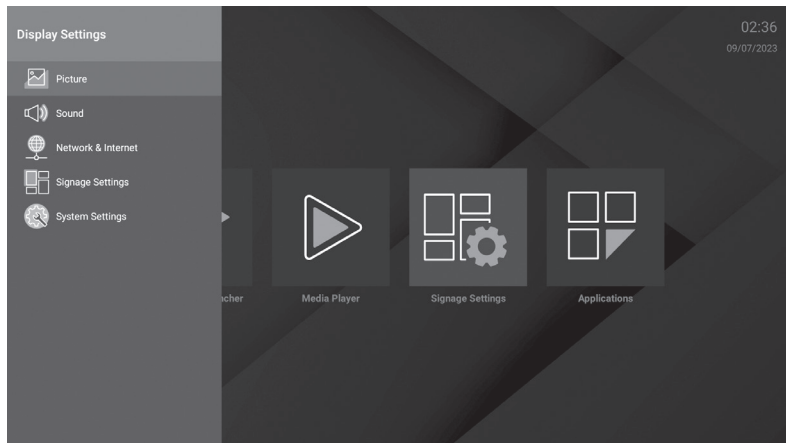
Signage Settings



Applications



DISPLAY SETTINGS



Press the **Menu** button on the remote to access and configure settings.

Picture

- Adjust settings for Picture Mode, Energy Saving, Contrast, Brightness, Sharpness, Color, Backlight, Aspect Ratio and Advanced Settings (Dynamic contrast, Micro Dimming, Color Model, Color Temperature Gamma slider, etc.)
- Color Model: Set your color model preference. **Auto**, **RGB**, and **YUV** options are available.

Sound

Adjust settings for Speakers, Dolby Audio Processing, Balance, Digital Output, AVL, HDMI/ARC Latency, Audio Output Latency

Network & Internet

Turn the wireless LAN function on and off and adjust settings.

- **Available Networks:** When the WLAN function is turned on, available wireless networks will be listed. Highlight **See all** and press **OK** to see all networks. Select one and press **OK** to connect. You may be asked to enter a password. You can see the status of the connection under the name of your network. It will read 'Connected' if the connection is successful. Highlight the network that your display is connected to and press **OK** to see the information on the connection, such as the Internet connection status (as **Connected - Not connected**), and if connected, the IP/MAC addresses and signal strength. You can also set a proxy server, change the IP settings using the related options and delete the connected wireless network profile using the **Forget network** option here.

Note: IP settings changes will not take immediate effect; these become active after the display is restarted.

- **Add New Network:** Add networks with hidden SSID (network name). You can use this option in order to connect to the hidden networks by entering their names manually. This item will not be available if the **Wi-Fi** option is not turned on. **Network Standby Mode:** This is a standard that allows a device to be turned on or woken up by a network message when it is in standby mode. Highlight and press **OK** to turn this function on and off. Refer to **Network Standby Mode** section for more information.
- **Ethernet:** Under the **Ethernet** option, you can see the LAN status (as **Connected - Not connected**) and also MAC/IP addresses if connected. You can also set a proxy server (as **Connected/Not connected**) and change the IP settings using the related options. **Connected/Not connected:** Displays the status of the connection (via Ethernet), IP and MAC addresses.
- **Proxy settings:** Set an HTTP proxy for browser manually. This proxy may not be used by other apps.

- **IP settings:** Configure your display's IP settings.

SIGNAGE SETTINGS

1. Device Info

- View and save device information, including Device ID, Software Version, Serial Number, Model Name and Display Lifetime.
- Set Device ID and update Software Version.

2. Controls

View and adjust settings for Pixel Burn-In, No Signal, No Signal Delay, No Signal Power Off, No Signal Timer, Panel Lock, RCU Inhibit, UART0 or UART1 (universal asynchronous receiver/transmitters)

3. Power Up Settings

Includes settings: Power Up Mode, Power Mode, Power On Delay, Auto Launch and HDMI Wake Up Enabled

4. USB

- **Clone to USB:** Copy files from the display to a connected USB device.
- **Clone from USB:** Copy files from a connected USB device to the display.
- **USB Operations:** Highlight and press OK to perform USB operations.
- **USB Information:**
 - View current usage and available space of the connected USB device.
 - Format the connected USB device using the Format Disk option in this menu to extend the storage capacity of your display. After formatting, the device will only be usable with the display.
 - **IMPORTANT:** Formatting your USB storage device will erase ALL data on it and its file system will be converted to FAT32.
- **Safely Remove:** Safely remove the USB device. Highlight this option and press **OK**. Wait for the message to be displayed on the screen. Then remove your device.

5. Scheduler Settings

Set the display to automatically turn ON and OFF at defined time intervals on desired days. Save up to 4 different schedules:

1. **Select the desired plan** (or schedule) and press the **OK** button.
2. **Define the times** for the display to be turned ON automatically. Highlight **OK** and press the **OK** button again when you are done. Perform the same steps to set a time for the display to turn OFF automatically.
3. **Define the days** for your plan to be active. Highlight the desired day/s and press **OK** to select. The plan will be active on the selected days of the week.
4. **Define a source** for your plan. Highlight the desired source and press the OK button.
 - If **Last Source** is selected, the input source will not be changed at power-up.
 - If **USB** is selected, media files on the connected USB device will automatically play as described in the **USB Auto Play** Feature section.

Alternately, choose **Select Application**. Highlight the application of your choice and press **OK** to select.

You can also set backlight on and off values for your plan. These values will be used to adjust the backlight of the display at the beginning and end of the plan. If the source option is set to **Last Source**, backlight settings will be applied to all sources; if not, settings will be applied to the selected source only.

Use **Plan Enable** to enable or disable the current plan (or schedule). When the plan is enabled, the **Save** option will appear on the plan setting screen. Highlight and press **OK** to save settings.

6. Link Options

To change start and settings URLs:

1. Create a file named "starturl.txt" or "settingsurl.txt" in the root directory of any USB storage device. Make sure that the extension is ".txt".

- Open this file with a text editor software such as Notepad.
- Write the desired URL (for example, www.starturl.com) in the file and save changes.
- Connect the USB storage device to the display. Highlight the **USB Operations** option in the **Display Settings > Signage Settings > USB** menu and press **OK**.
- Set the Auto Launch option in the Display Settings > Signage Settings > Power Up Settings menu to **HTML5 CMS Launcher**.

Note: You can check if the Start URL or Settings URL have the desired link from the **Display Settings > Signage Settings > Link Options** menu.

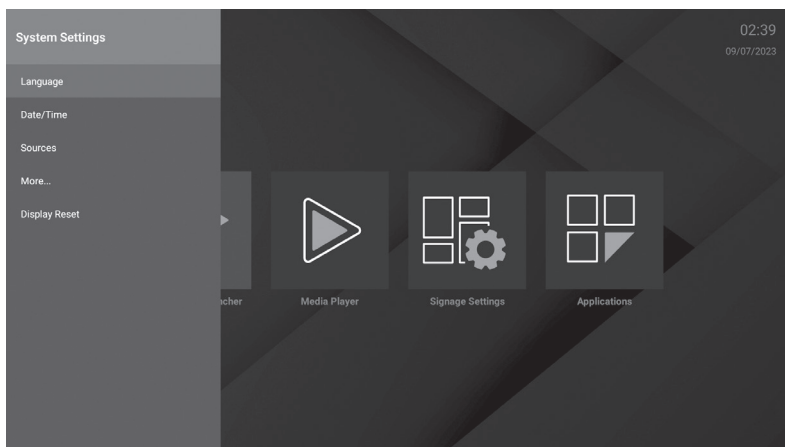
7. Volume Settings

Adjust volume settings, including volume limits and fixed values for the display and connected audio devices.

8. Reset to Default Values/Display Reset

Highlight this option and press the **OK** button to return signage menu settings to factory defaults.

SYSTEM SETTINGS



1. Language

2. Date/Time

Real Time Clock (RTC)

- Used to maintain the real date and time information for a period of time if the energy supply is interrupted by separating the display from the power supply or by a power outage. In this case, the display will use the date and time information stored in RTC.
- All time sources are able to override RTC date/time.
- Display tries to connect to the **NTP server** periodically (6 hours after last update) to get the current date and time information. If the display successfully gets this information from the
- NTP server, it updates itself and RTC with the received date and time information. If the NTP server update fails, the display uses RTC time and date to update itself.
- The RTC battery provides power to the integrated real-time clock and the calendar. Without any external power source, RTC is able to function for a minimum of 14 days.
- If RTC is used as time source, manual date-time set is enabled from the **Date/Time** option in the **Display Settings > System Settings** menu.

3. Sources

Enable, enhance or disable selected source options.

To ensure 4K resolution from an HDMI-connected source:

- HDMI 2.0 compatible: set to Enhanced
- HDMI 1.4 compatible: set to Enable

4. More....

Includes Internet Speed Test, Menu Timeout, Standby Mode LED, Software and Auto Software Upgrade, Country, Auto Display OFF, CEC and CEC Auto Power On and USB Auto Play

- **CEC and CEC RC Passthrough:**

Allows you to control the **CEC**-enabled devices, that are connected through HDMI ports by using the remote control of the display.

The **CEC** option in the **Display Settings > System Settings > More** menu should be set to **Enabled** first. Press the **Source** button and select the HDMI input of the connected CEC device from the Source menu. When a new CEC source device is connected, it will be listed in the source menu with its own name instead of the connected HDMI port's name (such as DVD Player, Recorder 1, etc.).

The remote is automatically able to perform the main functions after the connected HDMI source has been selected. To terminate this operation and control the display via the remote again, press and hold the "0-Zero" button on the remote control for 3 seconds.

To disable the CEC functionality go to the **Display Settings > System Settings > More** menu accordingly.

The display also supports the **ARC** (Audio Return Channel) feature. This feature is an audio link meant to replace other cables between the display and an audio system (A/V receiver or speaker system).

When ARC is active, the display does not mute its other audio outputs automatically. You will need to decrease display volume to zero manually if you wish to hear the ARC audio only (same as optical or coaxial digital audio outputs, availability depends on the model). If you want to change connected device's volume level, you should select that device from the source list. In that case volume control keys are directed to connected audio device.

- **System Audio Control:** Allows an Audio Amplifier/Receiver to be used with the display. The volume can be controlled using the remote control of the display. To activate this feature set the **Speakers** option in the **Display Settings>Sound** menu to **External audio system**. The display speakers will be muted and the sound of the watched source will be provided from the connected sound system.

Note: The audio device should support System Audio Control feature and **CEC** option should be set to Enabled.

- **Display Reset**

SHORTCUT TO SETTINGS

Some display settings can also be configured through the hidden **Settings** menu. To access, press the **Menu** button, then **3-2-9-1** buttons consecutively.

- **Network and Internet:** Configure your display's network settings, refer to the **Display Settings Menu** for more info.
- **Apps:** Manage the apps on your display.
- **Recently opened apps**

Highlight **See all apps** and press **OK** to see all the apps installed on your display. The amount of storage space needed will also be displayed. You can see the version of the app, open or force to stop the running of the app, uninstall a downloaded app, see the permissions and turn them on/off, turn on/off the notifications, clear the data and cache, etc. Highlight an app and press **OK** to see available options.

- **Permissions**

App permissions: Apps will be sorted by permission type categories. You can enable/disable permissions for the apps from within these categories.

Special app access: Configure some app features and special permissions.

- **Device Preferences:** Check for system updates, change the device name, restart the display and view system information such as network addresses, serial numbers, versions, etc.
- **Date & Time:** Set your display to automatically update the time and date data over the network. Disable by setting as Off if you want to manually change the date or time. Then set the date, time, time zone and hour format options.
- **Keyboard:** Select your keyboard type, configure remote controller input method preferences, and manage keyboard settings.

- **Sound**

System Sounds: System sound is the sound played when navigating or selecting an item on the display screen. Highlight and press **OK** to turn this function on or off.

Surround Sound Select your preference for the surround sound feature. **To select formats,** Highlight and press **OK. Auto, None,** and **Manual** options will be available. Highlight the option you prefer and press **OK** to set.

- **Storage:** View the total storage space status of the display and connected devices if available. To see detailed information on the usage details highlight and press **OK**. There will also be options for ejecting and setting up the connected USB storage devices as device storage.

Migrate data to this storage: This option will appear if you did priorly format your USB storage device as device storage. You can use this option to migrate some of the data stored on your display to your USB storage device.

NOTE: If you move data to your USB storage device, you may need to plug in your storage device to use all your apps and other content.

Eject: To keep your content safe, eject your USB storage device before you unplug it from your display.

Erase and format (Set up) as device storage: Use the connected USB storage device to extend the storage capacity of your display. After doing this, that device will only be usable with the display. Follow the on-screen instructions and read the information displayed on the screen before proceeding.

NOTE: Formatting the connected storage device will erase all data installed on it. Back up the files that you want to keep before you proceed with formatting the device.

Erase and format (Set up) as removable storage: If you did not format your USB storage device as device storage, it will only be usable with your display.

Use this option to format it again to use it with other devices. Before proceeding with the formatting, consider backing up the data on your device to your display's internal storage or to another USB storage device using the **Back up apps** option. Otherwise, some apps may not work properly after formatting. Follow the on-screen instructions and read the information displayed on the screen before proceeding.

Note: Formatting the connected storage device will erase all data installed on it. Back up the files that you want to keep before you proceed with formatting the device.

- **Screen Saver:** Choose a screensaver, set wait time for the screensaver, set when the display goes into sleep mode or start the screensaver mode.
- **Location:** You can allow the use of the wireless connection to estimate the location, see the recent location requests and allow or restrict the listed apps to use your location information.
- **Security and restrictions:**
 - Allow or restrict installation of apps from sources other than the Google Play Store.
 - Set the display to disallow or warn before installation of apps that may cause harm.
- **Accessibility:** Configure the Captions, Text to speech, Accessibility shortcut settings and/or turn High-contrast text on/off. Some of the caption settings may not be applied.
- **Reset:** Reset all display settings to the factory defaults. Highlight Reset and press OK. Then, select Reset to proceed with resetting. The display will switch off/on first and the initial setup will start. Select Cancel to exit.

- **Bluetooth Remote & Accessories**

Use wireless accessories, such as remote controls, headphones, keyboards or game controllers with your display. Refer to the **Signage Settings Menu**.

If the **Bluetooth** option in the **Display Settings > Signage Settings > Controls** menu is disabled, this option will not be available.

APPLICATIONS

Access applications installed on your display. The display will open to the Home Screen if the **Auto Launch** option (**Display Settings > Signage Settings > Power Up Settings**) is set to **Disabled**. Press the **Back/Return** or **Exit** button to display or return to the Home Screen. Highlight **Applications** and press **OK**, then highlight an app and press **OK** to launch.

Note: Possible application-dependent problems may be caused by the content service provider. Third-party internet services may change, be discontinued or restricted at any time.

INTEGRATED APPLICATIONS

VSignLite

VSignLite is a signage application that runs without CMS and is managed through the display. The display software is integrated with it.

1. Setup

Application Specifications

Requirements	
Display Platform	MB450VS
Firmware Version	v7.42 & higher
Language Options	English, Turkish, Spanish, French
Hardware Requirements	USB

How is it opened?

During the display's initial setup process, the Auto Launch option should be set to VSignLite. Every time the display restarts, the application will open. This setting can be changed using the Auto Launch option in **Display Settings > Signage Settings > Power Up Settings**. You can also launch this application from the Applications menu on the Home Screen.

2. VSign Application Display

The VSign Lite application consists of three main parts: Player, Schedule and Template. There is also an Import/Export Settings section for backup/export of application settings.

Player

View, erase, play, filter, sort or transfer files on a connected USB storage device or the display's internal storage, as well as playing channels created in the app.

2.0.1. File Management

Highlight any file and press the OK button to open the file management menu: Play, Select, Send and Delete

2.0.2. Multi-Selection Mode

Multiple selection mode is activated by pressing the OK button on the Select option in the file management menu. Then select the files you want with the OK button or cancel the selected ones. During this process, you can go to different folders and select files there

The below options are available in Multi-Selection Mode: Select All, Clear All, Play All, Send All, Cancel and Schedule. By using the Schedule screen, a channel can be created, programs can be created within the channel, they can be viewed and edited. The channels number are limited to four.

Schedule

2.0.1. Channel/Program Addition

Select an empty or occupied area within Schedule and press the **OK** button.

- If Add Channel is selected, a new channel will be created, and the screen will pop up to create our first program.
- If an empty space is selected in a previously created channel, the new program is added to the channel. If the occupied area is selected in a previously created channel, the selected program will be edited

2.0.1.1 Channel/Program Editing Screen Input Fields

- Select, multi-select and add or delete content.
- **Start Time:** Starting time of the program.
- **Stop Time:** Stopping time of the program.
- **Channel Name:** The name of the channel in which the program is included.
- **Storage:** The storage device in which the channel is saved.

2.0.2. Supported Files

The application supports the formats listed below:

Video: mp4, mpeg, avi, mov, webm, ts, mpg, m4a, mkv

Image: jpg, jpeg, png, bmp

Template

This screen displays the predefined templates which the user prepares for use. User-created templates are kept in the **My Templates** folder.

2.0.1. Creation of Templates

Scroll to a previously defined templates and press **OK**. The template can be previewed with the **Preview** button on the right hand side of the screen. Use the **Save** button to save the template.

2.0.1.1. Add Content to Templates Input Fields

Template Duration: The length of time that the template will be displayed in a program cycle.

Content Duration: Specifies the amount of time a content will be displayed in the selected area via the template.

Template Name: Specify a name for the template.

Aspect Ratio: If the area on the template accepts the image, this setting determines whether the aspect ratio of the image is **maintained** or changed to fill the area.

Sound: If there is a field that accepts video in the template, it determines whether the video will sound or not.

Import/Export Settings

Using this menu, the display settings can be transferred to another display.

File Manager

Used to display and manage the files stored in the internal and external memory.

System Update

Used to upgrade the software. The display should be connected to the Internet. You can use the Check Update option to see whether there is an update available.

Used to install applications. It finds and lists the apk files in the internal and external memory. To install an app, highlight the apk file and press OK. Refer to the Third-Party Applications section for more information.

Vewd Browser

Launch the **Vewd Browser** application. In the initial screen of the browser, the thumbnails of the predefined (if any) links to web sites available will be displayed as Speed Dial options along with the Edit Speed Dial and the Add to Speed Dial options. You can press the **Internet** button on the remote to open the Vewd Browser. If the **Open browser initial page** link in the **Display Settings > Signage Settings > Link Options** menu is defined, the browser will open on this page.

To navigate the web browser, use the directional buttons on the remote or a connected mouse. To see the browser options bar, move the cursor to the top of the page. **History, Tabs and Bookmarks** options and the browser bar which contains previous/next buttons, the refresh button, the adress/search bar, the microphone (non-functional), the **Speed Dial** and the **Vewd** buttons are available.

To add a desired website To the **Speed Dial** list for quick access, move the cursor to the top of the page. The browser bar will appear. Highlight the Speed Dial button and press the **OK** button. Then select **Add to Speed Dial** option and press the **OK** button. Fill in the blanks for **Name** and **Address**, highlight **OK** and press the **OK** button to add. Whilst you are on the site you wish to add to the Speed Dial list, highlight the **Vewd** button and press the **OK** button. Then highlight the **Add to Speed Dial** option in the submenu and press the **OK** button again. **Name** and **Address** will be filled automatically according to the site you are visiting. Highlight **OK** and press the **OK** button to add. You can also use the **Vewd** menu options to manage the browser. Highlight the Vewd button and press the **OK** button to see available page specific and general options.

There are various ways to search or visit websites using the web browser:

- Enter the address of a website (URL) into the search/address bar, and highlight Go on the virtual keyboard and press the **OK** button to visit the site.
- Enter keyword/s into the search/address bar and highlight the Go button on the virtual keyboard and press the **OK** button to start a search for the related websites.
- Highlight a Speed Dial thumbnail and press the **OK** button to visit the related website.

Your display is compatible with USB keyboard/mice. Plug your device into the USB input of your display for easier and quicker navigation.

Some web pages include flash content. These are not supported by the browser.

Your display does not support any download processes from the internet via the browser. All sites on the internet might not be supported. Depending on the site, content problems may occur. In some cases, video content may not be compatible.

THIRD-PARTY APPLICATIONS

Installing a third-party application:

1. Copy the file with the extension “.apk” onto a FAT formatted USB storage device.
2. Connect the USB storage device to one of the USB inputs on the display.
3. Launch the AppInstaller from the Applications menu on the Home Screen. Select the connected USB storage device and press OK.
4. Highlight the desired file and press OK. Select **INSTALL** and press OK again.
5. Access installed applications from the Applications menu on the Home Screen.

Note: Third-party applications support is limited. Some functions of the application or launch may be affected as not being coded.

CONNECTIVITY

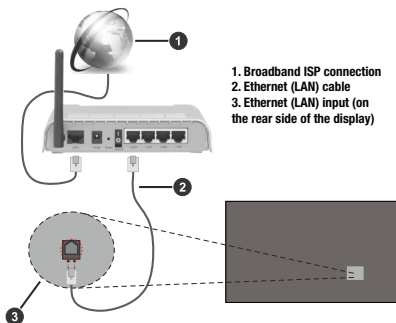
To configure wired and wireless settings, access the **Display Settings > Network & Internet** menu. Press the Menu button on the remote to view the **Display Settings** menu.

WIRED NETWORK

Use an Ethernet cable to connect the display to a modem/router via the Ethernet port on the back of the display. Refer to **Panel and Ports** on page 4 for the location of the Ethernet port.

In the **Network & Internet** menu, **Ethernet** status will read Connected, and the MAC and IP addresses will be displayed. You can also set a proxy server and change the IP settings using the related options.

Note: The IP settings changes will not take immediate effect; these become active after the display is restarted.



WIRELESS NETWORK

A wireless LAN modem/router is required to connect the display to a wireless network. If the display is connected to a wired network, unplug the Ethernet cable to allow wireless connection.

Highlight the **Wi-Fi** option in the **Network & Internet** menu and press **OK** to turn on the WLAN. **Available networks** will be listed. Select one and press **OK** to connect. You may be asked to enter a password to connect to the selected network.

If the connection is successful, it will read Connected under the name of the network. Highlight the network under **Available Networks** in the **Network & Internet** menu and press **OK** to see detailed information, such as MAC and IP addresses. Here, you can also access advanced settings such as proxy and IP settings or select **Forget Network** to delete the wireless network profile and prevent the display from automatically connecting to that network.

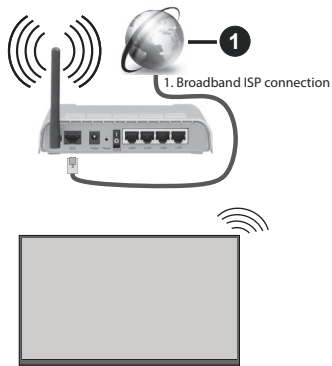
Note: IP settings changes will not take immediate effect; these become active after the display is restarted.

A network with hidden SSID (network name) cannot be detected by other devices. If you want to connect to a network with a hidden network name, highlight the Add New Network option under Other Options and press **OK**. To connect to the network, enter its name, select the type of security and then enter the password if prompted. You can also make a network name visible by changing the settings via the modem software.

A Wireless-N router (IEEE 802.11a/b/g/n/ac) with simultaneous 2.4 and 5 GHz bands is designed to increase bandwidth. These are optimized for smoother and faster HD video streaming, file transfers and wireless gaming.

The frequency and channel differ depending on the area.

The transmission speed differs depending on the distance and number of obstructions between the transmission products, the configuration of these products, the radio wave conditions, the line traffic and the products that you use. The transmission may also be cut off or may get disconnected depending on the radio wave conditions, DECT phones or any other WLAN 11b appliances. The standard values of the transmission speed are the theoretical maximum values for the wireless standards. They are not the actual



speeds of data transmission.

The location where the transmission is most effective differs depending on the usage environment.

The Wireless feature of the display supports 802.11 a,b,g,n and AC type modems. It is highly recommended to use IEEE 802.11n communication protocol in order to avoid any possible problems while watching videos.

To avoid possible connectivity problems, change your modem's SSID if there are other modems nearby with the same SSID. Use a wired connection if you experience problems with a wireless connection. A stable connection speed is required to play back streaming content. Use an Ethernet connection if the wireless LAN speed is unstable.

Note: The operating system allows only one network connection at a time. If the display is connected to the network both wirelessly and via Ethernet (wired), the Ethernet connection will take priority. Unplug the Ethernet cable to allow wireless connection.

NETWORK STANDBY MODE

Network Standby Mode is a standard that allows a device to be turned on or woken up by a network message (magic packet). This message is sent to the device by a program executed on a remote device connected to the same local area network, such as a smartphone. To enable this feature, enable the **Network Standby Mode** option in the **Network & Internet** menu and the **Power Mode** option in the **Display Settings > Signage Settings > Power Up Settings** menu (**Power Mode - Standard**). It is necessary that both the display and the device from which the network message will be sent are connected to the same network and all access points support magic packet.

You can use any Network Standby Mode software available for the operating system of your device to send magic packets. In order to use this feature, the display and device should be connected at least once while the display is on. If the display is powered off, the connection must be reestablished the next time it is switched on. (This does not apply when the display is switched into standby mode.)

How to control functionality

- Enable Network Standby Mode in the Network & Internet menu.
- Connect the display and the device to the same network.
- Get the MAC address of your display (refer to **page 27** for information on how to get the MAC address).
- Switch the display into standby mode.
- Send magic packets to the MAC address of your display by using a mobile phone, or a Linux or Windows computer. Your display should wake up after receiving magic packets.

EXTERNAL CONTROL

CONTROLLING WITH A PC

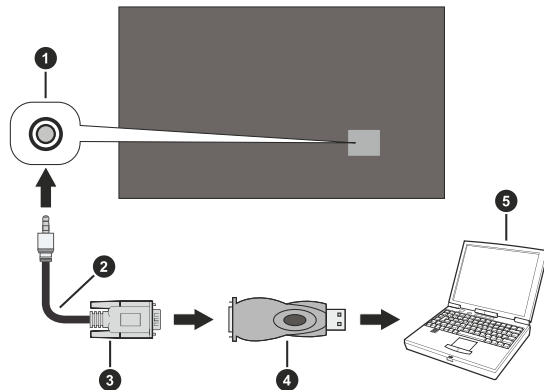
You can control the display from an external PC via the RS-232 (COM port) or LAN (Ethernet port) connected to the PC.

Required Equipment

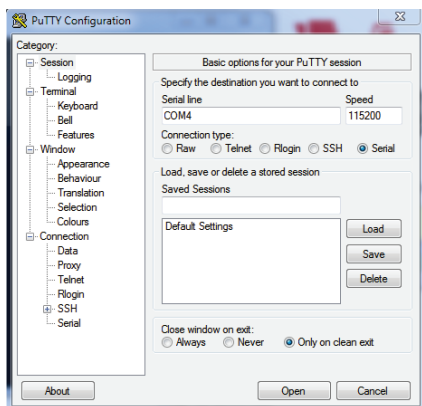
- RS-232 (3.5mm) to RS-232 (male) cable or LAN cable (connected via router)
- USB to RS-232 (female) adapter
- Laptop or PC which has USB or LAN port
- Installed program on remote PC or laptop to send commands

In general, the commands are sent for operating the implemented functions via serial or LAN port and utility. A suitable utility can be used such as described below.

RS-232 Connection

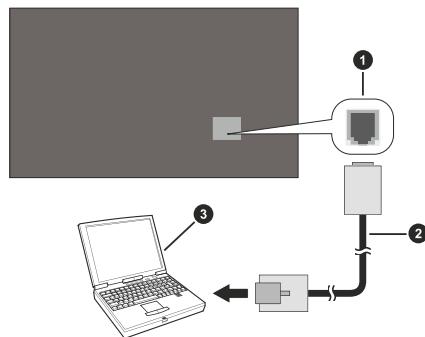


1. RS-232 Input Port (3.5mm)
2. RS-232 to 3.5mm serial cable (commercially available)
3. To COM port
4. RS-232 to USB adapter
5. PC



- Run the software and select **Serial as Connection Type**. Enter the display's serial port in the field **Serial Line** (in the following example it is COM4) and "115200" in the field **Speed**. Then click the **Open** button.

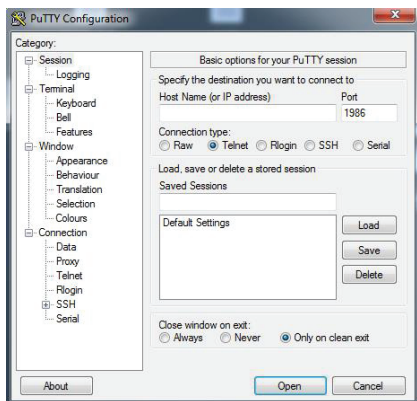
LAN Connection



1. Ethernet port
2. Ethernet cable
3. PC

Run the software and enter the display's IP address in the field **Host Name**. Enter "1986" as a default value in the field **Port**. Then select **Telnet as Connection type** and click the **Open** button.

Note: Refer to the **Connectivity** section of this manual for information on connecting the display to a network and displaying the IP address.



CONTROLLING WITH AN AMAZON FIRE STICK

1. Go to Amazon Fire Stick Network, display and sound menu.
2. Select Equipment Control.
3. Select Manage Equipment.
4. Select TV then Change TV.
5. Follow on screen directions and choose Brand Not Listed.

RS-232 HEX COMMANDS

Protocol Test Steps

- Before testing, verify the board type according to descriptions below:
 1. RJ12 is connected to UART 0, while DSUB9 is connected to UART 1 — UART 0 and UART 1 can be tested separately.
 2. RJ12 and DSUB9 are both connected to UART 0, while UART 1 is supported for OPS module but not reachable — only UART 0 can be tested.
- Activate HEX protocol on the display:
 1. Go to **Display Settings > Signage Settings > Controls**
 2. Change the **ASCII** option to **HEX** in the **UART0** or **UART1** submenu

Open any serial port communications program (e.g Realterm) and configure serial communication settings as below:

Baud Rate: 19200 for UART0, 9600 for UART1
Parity: None
Data Bits: 8
Stop Bits: 1
Handshake: None

Note that **UART0** default value: **ASCII**, **UART1** default value: **HEX**

In the tables given below, XY represents a variable byte. All byte values are hexadecimal.

Error Responses

- **NAK reply: 15** When the display cannot understand the received command, it returns this value. Check the sending code and send the same command again.
- **Error reply: 1C 00 00** When the display cannot execute the received command for any reason, it returns this value. Check the sending code and the setting status of the display.

Command received by display														Reply sent by display for successful operation			Notes	
Byte Number		0	1	2	3	4	5	6	7	8	9	10	11	12	0	1		2
		Header						Data										
		Header code		Packet	Data Size		CRC flag		Action		Type		Setting code					
Name	Operation	L	H	L	H	L	H	L	H	L	H	L	H					
Monitor	ON	BE	EF	03	06	00	19	D3	02	00	00	60	02	00	06			Power Mode (Quick Standby) should be enabled to be able to turn on the Display with this command.
	OFF	BE	EF	03	06	00	19	D3	02	00	00	60	01	00	06			
	GET	BE	EF	03	06	00	19	D8	03	00	00	60	07	00	1D	00	XY	XY can be either 00 or 01. 00 means OFF, 01 means ON.
Mute	ON	BE	EF	03	06	00	D6	D2	01	00	02	20	01	00	06			
	OFF	BE	EF	03	06	00	46	D3	01	00	02	20	00	00	06			
	GET	BE	EF	03	06	00	75	D3	02	00	02	20	00	00	1D	00	XY	XY can be either 00 or 01. 00 means OFF, 01 means ON.
Screen	ON	BE	EF	03	06	00	68	D9	01	00	20	30	01	00	06			
	OFF	BE	EF	03	06	00	FB	D8	01	00	20	30	00	00	06			
	GET	BE	EF	03	06	00	C8	D8	02	00	20	30	00	00	1D	00	XY	XY can be either 00 or 01. 00 means OFF, 01 means ON.
Source	OPS	BE	EF	03	06	00	FE	D2	01	00	00	20	00	00	06			
	HDMI	BE	EF	03	06	00	0E	D2	01	00	00	20	03	00	06			
	VGA	BE	EF	03	06	00	6E	D2	01	00	00	20	01	00	06			
	SCART2 (CVBS)	BE	EF	03	06	00	00	00	01	00	00	20	04	00	06			
	FAV	BE	EF	03	06	00	00	00	01	00	00	20	05	00	06			
S-Video	BE	EF	03	06	00	00	00	01	00	00	20	06	00	06				

Source	HDMI2	BE	EF	03	06	00	00	00	01	00	00	20	08	00	06			
	HDMI3	BE	EF	03	06	00	00	00	01	00	00	20	09	00	06			
	HDMI4	BE	EF	03	06	00	00	00	01	00	00	20	0A	00	06			
	YPbPr	BE	EF	03	06	00	00	00	01	00	00	20	0B	00	06			
	SCART2 (S-Video)	BE	EF	03	06	00	00	00	01	00	00	20	0D	00	06			
	TV	BE	EF	03	06	00	00	00	01	00	00	20	0E	00	06			
	SCART1 (CVBS)	BE	EF	03	06	00	00	00	01	00	00	20	0F	00	06			
	SCART1 (S-Video)	BE	EF	03	06	00	00	00	01	00	00	20	10	00	06			
	DVD	BE	EF	03	06	00	00	00	01	00	00	20	11	00	06			
	DVI	BE	EF	03	06	00	00	00	01	00	00	20	12	00	06			
	DP	BE	EF	03	06	00	00	00	01	00	00	20	13	00	06			
WIDI	BE	EF	03	06	00	00	00	01	00	00	20	15	00	06				
GET	BE	EF	03	06	00	CD	D2	02	00	00	20	00	00	1D	00	XY		
<p>XY can be one of the following: 01: OPS, 02: HDMI, 03: VGA, 04: SCART2(CVBS), 05: FAV, 06: S-Video, 08: HDMI2, 09: HDMI3, 0A: HDMI4, 0B: YPbPr, 0D: SCART2(S-Video), 0E: TV, 0F: SCART1(CVBS), 10: SCART1(S-Video), 11: DVD, 12: DVI, 13: DP, 15: WIDI</p> <p>Note that all of the sources are not enabled.</p>																		

Command received by display														Reply sent by display for successful operation			Notes	
Byte Number		0	1	2	3	4	5	6	7	8	9	10	11	12	0	1		2
		Header						Data										
		Header code		Packet		Data Size		CRC flag		Action		Type		Setting code				
Name	Operation	L	H	L	H	L	H	L	H	L	H	L	H	L	H			
Volume	GET	BE	EF	03	06	00	31	D3	02	00	01	20	00	00	1D	00	XY	
	INCREMENT	BE	EF	03	06	00	57	D3	04	00	01	20	00	00	06			
	DECREMENT	BE	EF	03	06	00	86	D2	05	00	01	20	00	00	06			
	SET	BE	EF	03	06	00	31	D3	03	00	01	20	01	XY	06			XY can take 00 as a minimum and 1D as a maximum.
OPS Power	ON	BE	EF	03	06	00	BA	D2	01	00	05	20	01	00	06			
	OFF	BE	EF	03	06	00	2A	D3	01	00	05	20	00	00	06			
	GET	BE	EF	03	06	00	19	D3	02	00	05	20	00	00	1D	00	XY	XY can be either 00 or 01. 00 means OFF, 01 means ON.

Backlight	GET	BE	EF	03	06	00	89	D2	02	00	03	20	00	00	1D	00	XY	
	INCREMENT	BE	EF	03	06	00	EF	D2	04	00	03	20	00	00	06			
	DECREMENT	BE	EF	03	06	00	3E	D3	05	00	03	20	00	00	06			
	SET	BE	EF	03	06	00	89	D2	03	00	03	20	01	XY	06			range: 0x64-0x1E
	RESET	BE	EF	03	06	00	58	D3	06	00	03	20	00	00	06			
Auto Adjust	ON	BE	EF	03	06	00	32	D4	01	00	19	20	01	00	06			Auto Adjust command is for only VGA.
	OFF	BE	EF	03	06	00	A2	D5	01	00	19	20	00	00	06			
Keypad Lock	ON	BE	EF	03	06	00	93	97	01	00	11	24	01	00	06			
	OFF	BE	EF	03	06	00	03	96	01	00	11	24	00	00	06			
	GET	BE	EF	03	06	00	30	96	02	00	11	24	00	00	1D	00	XY	XY can be either 00 or 01. 00 means OFF, 01 means ON.
Remote Controller Lock	ON	BE	EF	03	06	00	77	97	01	00	16	24	00	00	06			
	OFF	BE	EF	03	06	00	E7	96	01	00	16	24	01	00	06			
	GET	BE	EF	03	06	00	44	97	02	00	16	24	00	00	1D	00	XY	XY can be either 00 or 01. 00 means OFF, 01 means ON.
OSD Menu	ON	BE	EF	03	06	00	6A	63	01	00	00	37	01	00	06			
	OFF	BE	EF	03	06	00	FA	62	01	00	00	37	00	00	06			
Contrast	GET	BE	EF	03	06	00	FD	D3	02	00	04	20	00	00	1D	00	XY	
	SET	BE	EF	03	06	00	FD	D3	03	00	04	20	01	XY	06			range: 0x4E - 0x82
	INCREMENT	BE	EF	03	06	00	9B	D3	04	00	04	20	00	00	06			
	DECREMENT	BE	EF	03	06	00	4A	D2	05	00	04	20	00	00	06			
Auto Position	EXECUTE	BE	EF	03	06	00	91	D0	06	00	0A	20	00	00	06			
Colour Temperature	INCREMENT	BE	EF	03	06	00	0B	F5	10	00	B0	30	03	00	06			9300K, 6500K, 13000K
	DECREMENT	BE	EF	03	06	00	CB	F8	01	00	B0	30	13	00	06			9300K, 6500K, 13000K
	GET	BE	EF	03	06	00	C8	F5	02	00	B0	30	00	00	1D	00	XY	XY takes one of the followings: 00=9300K, 01=6500K, 02=13000K
Clock	INCREMENT	BE	EF	03	06	00	19	D4	03	00	02	21	03	00	06			Clock commands are for VGA Clock. They would work independently of the selected source.
	DECREMENT	BE	EF	03	06	00	19	D5	03	00	02	21	04	00	06			
	GET	BE	EF	03	06	00	19	D7	03	00	02	21	06	00	1D	00	XY	XY would be in the range of 00 and 64
Phase	INCREMENT	BE	EF	03	06	00	2F	83	04	00	03	21	00	00	06			Phase commands are for VGA Phase shift. They would work independently of the selected source.
	DECREMENT	BE	EF	03	06	00	FE	82	05	00	03	21	00	00	06			
	GET	BE	EF	03	06	00	49	83	02	00	03	21	00	00	1D	00	XY	XY would be in the range of 00 and 64
H-Position	INCREMENT	BE	EF	03	06	00	97	82	04	00	01	21	00	00	06			
	DECREMENT	BE	EF	03	06	00	46	83	05	00	01	21	00	00	06			
	GET	BE	EF	03	06	00	F1	82	02	00	01	21	00	00	1D	00	XY	XY would be in the range of 00 and 64. Central position is 32.

Command received by display														Reply sent by display for successful operation				
Byte Number		0	1	2	3	4	5	6	7	8	9	10	11	12	0	1	2	Notes
		Header						Data										
		Header code		Packet	Data Size		CRC flag		Action		Type		Setting code					
Name	Operation	L	H		L	H	L	H	L	H	L	H	L	H				
V-Position	INCREMENT	BE	EF	03	06	00	68	83	04	00	00	21	00	00	06			
	DECREMENT	BE	EF	03	06	00	BA	82	05	00	00	21	00	00	06			
	GET	BE	EF	03	06	00	00	83	02	00	00	21	00	00	1D	00	XY	XY would be in the range of 00 and 64. Central position is 32.
Colour Temp Gain R	INCREMENT	BE	EF	03	06	00	52	F4	04	00	B1	30	00	00	06			
	DECREMENT	BE	EF	03	06	00	83	F5	05	00	B1	30	00	00	06			
	GET	BE	EF	03	06	00	34	F4	02	00	B1	30	00	00	1D	00	XY	

Colour Temp Gain G	INCREMENT	BE	EF	03	06	00	16	F4	04	00	B2	30	00	00	06			
	DECREMENT	BE	EF	03	06	00	C7	F5	05	00	B2	30	00	00	06			
	GET	BE	EF	03	06	00	70	F4	02	00	B2	30	00	00	1D	00	XY	
Colour Temp Gain B	INCREMENT	BE	EF	03	06	00	EA	F5	04	00	B3	30	00	00	06			
	DECREMENT	BE	EF	03	06	00	38	F4	05	00	B3	30	00	00	06			
	GET	BE	EF	03	06	00	8C	F5	02	00	B3	30	00	00	1D	00	XY	
Freeze	EXECUTE	BE	EF	03	06	00	00	06	00	C0	30	00	00	06				Toggles video freeze status.

RS232/LAN COMMAND TABLE

ADMIN PANEL COMMANDS			
Command	Description	Parameter	Return
TOF	Turn off panel	no parameter	#Display will be sent to Active Standby state. or #Display is in Active Standby state already!
RST	Restart	no parameter or int (wait seconds until Restart)	#Display will be restarted
STV	Sets panel Volume, parameter value will ve set for volume level	integer (volume level)	#Volume set level= ...
GTZ	Get Time Zone	no parameter	#Timezone is ...
CTZ	Change Time Zone.	integer (gmt value)	#Timezone setup SUCCEEDED
STL	Set panel Language	string-int (please look at abbreviations of languages)	#Language changed to ... or #Wrong language selection.
SMA	Set mac address Note: This command is not available for MB230 platform. Instead, set_mac_address command can be used. Note2: This command only changes mac address of wired interface. Note3: Reboot needed.	string-int (ex: eth0-00:09:df:86:34:25)	#SetMacAdress Successful #*FAILURE - Invalid mac address! #*FAILURE - Could not write MAC address!
get_mac_address	Get mac address	none	#*Hwaddr: mac_address - Successful

GETMACADDRESS	Gets mac address of selected network interface	none	#*Hwaddr: <mac_address> - Successfull or #*Mac address could not be obtained
GETGPIO	Gets the GPIO's state	pin number(visit the GPIO List)	#*GPIO level is ...
SETGPIOLOW	Sets the GPIO's state to low	pin number(visit the GPIO List)	#*... is set to HIGH
SETGPIOHIGH	Gets the GPIO's state to high	pin number(visit the GPIO List)	#*... is set to LOW
SELECTSOURCE	Select source.	integer n (7 = HDMI1, 8 = HDMI2, 9 = HDMI3, 10 = HDMI4, 19 = DP, 20 = OPS, 26 = TYPE C)	#*Select external source: ...
SSIP	Set static IP, Default Gateway and SubnetMask addresses (separate addresses with "-" character)	string (ex: 192.168.0.15-10.0.90.5-255.255.255.0)	#IP address setting Successfull

AUDIO COMMANDS			
Command	Description	Parameter	Return
VOLUME	Set volume level.	integer n (0 ≤ n ≤ 100)	#*set volume to n
GETVOLUME	Volume level information.	no parameter	#*volume level is ...
VOLUMEUP	Increase Volume Level by 1 step (Until max volume)	no parameter	#*volume LEVEL is increased to ... or #*Volume level is at max value. You can not increase volume level further. Confirmed max volume level is ...
VOLUMEDOWN	Decrease Volume Level by 1 step	no parameter	#*volume LEVEL is decreased to .. or #*Volume level is at min value. You can not decrease volume level further
SETEQMODE	Set equalizer mode.	string n (Standart, Music, News, Theater, Game, Custom)	#*setEQMode() set to n or #*The above parameter should be one of Standard, Music, News, Theater, Game, Custom.
GETEQMODE	Get equalizer mode	no parameter	#*the equalizer mode is n Note: Above n is one of Standart, Music, News, Theater, Game, Custom

GETMUTE	Get mute status.	no parameter	##MUTE OFF or ##MUTE ON
SETMUTE	Toggle mute status.	no parameter	##MUTE OFF or ##MUTE ON
SETBALANCE	Set balance value.	integer n (-50 <= n <= 50)	##set balance level to n or ##invalid balance level entered
GETBALANCE	Get balance value.	no parameter	##balance level is ...
SETDYNAMICBASS	Set dynamic bass state.	integer n (0 = off, 1 = on)	##set dynamic bass state to n
GETDYNAMICBASS	Get dynamic bass state.	no parameter	##the dynamic bass state is ... (0 = off, 1 = on)
SETBASSGAIN	Set bass gain	integer n (-6 <= n <= 6)	##set bass gain to n or ##Incorrect sound system parameter entered
GETBASSGAIN	Get bass gain	no parameter	##the bass gain level is n Note: Above n is -6 <= n <= 6
SETSURROUND SOUND	Set surround sound state.	integer n (0 = off, 1 = on)	##set surround sound state to n
SOUNDRESET	Reset sound settings	no parameter	##reset all sound settings

BROWSER COMMANDS

Command	Description	Parameter	Return
OPENURL	Starts the given URL and returns web page load status directly.	string	##URL : ...
GETURL	Gets URL of the current page if the portal is active.	no parameter	##URL : ...
SETSETTINGSURL	Sets the browser settings URL	string	##Setting URL is set
GETSETTINGSURL	Gets the browser settings URL	no parameter	##Setting URL is ...
SETSTARTURL	Sets the start URL	string	##Start URL is set
GETSTARTURL	Gets the start URL	no parameter	##Start URL is ...
GETUSERAGENT	Gets portal user agent.	no parameter	##Current UA : ...
CLEARCACHE	Clear browser cache/cookies (Private datas like web form)	no parameter	##Browser cookies are cleared
CLEARBROWSERDATA	Clear browser data files like History, Bookmarks, Speed Dial and Configuration	no parameter	##Browser data files are cleared

GETCMSSTATUS	Gets the CMS status	no parameter	#*Do cms status assignment with SETCMSSTATUS command or Returns the value of cms status
SETCMSSTATUS	Sets the CMS status	string parameter max. length of 255 characters	#*CMS status set to ... or #*NACK
GETCMSPARAMS	Gets the CMS parameters	no parameter	#*Do cms param assignment with SETCMSPARAMS command. or Returns the value of cms params
SETCMSPARAMS	Sets the CMS parameters	string parameter max. length of 255 characters	#*CMS params set to ... or #*NACK
SETBROWSERDEBUG	Sets the browser debug mode	string n (n = ON, n = OFF)	Browser debug is enabled. Open the following url with any chromium-based desktop browser: chrome://inspect or Browser debug is disabled
SETBROWSECORS	Set browser cors status to enable disable web security flag	int n (n = 0, 1)	#*Browser cors is enabled or #*Browser cors is disabled
GETBROWSECORS	Get browser cors status	no parameter	#*Browser cors is enabled or #*Browser cors is disabled

FILE SYSTEM COMMANDS

Command	Description	Parameter	Return
MP3PLAY	Play MP3 audio file.	string-integer n Example: MP3PLAY audio.mp3	#*Playing audio : n
MP3GETPLAYING	Returns playing audio file.	no parameter	#*Playing /storage/2ECD-304C/audio.mp3
VIDEOPLAY	Play Video file.	string-integer n Example: VIDEOPLAY video.mp4	#*Playing video : n
VIDEOGETPLAYING	Returns playing video file.	no parameter	#*Playing /storage/2ECD-304C/video.mp4
IMGSHOW	Show image file.	string-integer n Example: IMGSHOW picture.jpg	#*Playing video : n
IMAGEGETSHOWN	Returns shown image file.	no parameter	#*Showing /storage/2ECD-304C/picture.jpg

GETDISKFORMAT STATE	Get format state of internal USB disk	no parameter	#*the disk is formatted. or #*the disk is not formatted. or #*No Internal USB is found.
FORMATDISK	Format the internal USB disk as FAT32	no parameter	#*formatting is succesful. or #*error while formatting. or #*No Internal USB is found.

GENERAL PANEL FUNCTIONS

Command	Description	Parameter	Return
Led	Turns the led on/off. (Used for setting the led status of current state)	integer n (0 = off, 1 = on)	#*Led is ON or #*Led is OFF
GETLED	Get led on/off state. (Used for getting the led status of current state)	no parameter	#*LED is on or #*LED is off
SETSTANDBYLED	Set Standby led status	string n (n = ON, n = OFF)	#*Standby Led is set to ON or #*Standby Led is set to OFF or #*Standby Led is not set (invalid input)
SETSOURCE	Set source as enable/disable.	string n, integer b (n = HDMI1, n = HDMI2, n = HDMI3, n = HDMI4, n = DP, n = OPS, n = TYPE-C, n = WIDI) (b = 1(enable), b = 0(disable))	#*Selected source n #*Enable/Disable state :b
GETSOURCE	Gets source.	Gets source.	#*source is ...
SETSOURCENAME	Changes source name with given index.	string n - integer m n = New source name m = Source index (HDMI1 = 5, HDMI2 = 8, HDMI3 = 9, HDMI4 = 10, DP = 6, OPS = 7, TYPE-C = 11, WIDI = 15) (Example=SETSOURCE NAME ASLI 5)	#* <old source name> source name changed with <new source name> or #*Source not available
GETSOURCENAME	Gets the source name with given index.	integer n n = Source index (HDMI1 = 5, HDMI2 = 8, HDMI3 = 9, HDMI4 = 10, DP = 6, OPS = 7, TYPE-C = 11, WIDI = 15)	#*Source name is ... or #*Source not available
KEY	Send key.	string-integer n (n = 0, n = 1,, n = up,, n = menu,ext.)	n key sent
GETSWVERSION	Returns the software version of panel.	no parameter	#*V...
GETMODELNO	Get model no.	no parameter	*Model no: ...

SETMODELNO	Set model no.	string-integer n	**ACK or **NACK
GETSERIALNO	Get serial no. (returns **NACK if no serial number has been set)	no parameter	**<Serial no> or **NACK
SETSERIALNO	Set serial no.	string-integer n	**ACK or **NACK
SETFTIPIN	Set FTI PIN number	integer n (n is a four digit number)	**FTI PIN was set to n
GETFTIPIN	Get FTI PIN number	no parameter	**The FTI PIN is n
CHANGELNG	Change active language	integer n n = language(0="Turkish", 1="English",2="Albanian", 3="Arabic",4="Azerbaijani", 5="Belarusian",6= "Bosnian",7="Bulgarian", 8="Czech",9="Danish", 10="Dutch",11="Estonian", 12="Finnish",13="French", 14="German",15="Gaelic", 16="Greek",17="Hebrew", 18="Croatian",19= "Hungarian",20="Italian", 21="Kazakh",22="Latvian", 23="Lithuanian", 24="Macedonian", 25="Norwegian", 26="Persian",27="Polish", 28="Portuguese", 29="Romanian", 30="Russian", 31="Slovak",32= "Slovenian",33="Spanish", 34="Serbian",35="Swedish", 36="Thai",37="Ukranian", 38="Vietnamese", 39=","Japanese") Example: CHANGELNG 0 (To set system language to Turkish)	** [old language] language changed to n or **Incorrect item parameter entered

SETCOUNTRY	Set country	string n Valid country strings are below: TURKEY, UK, ALBANIAN, USA AUSTRALIA, AUSTRIA, CANADA BELARUSIAN, BELGIUM, BULGARIA, COLOMBIA, CROATIA, CYPRUS, CZECH, DENMARK, ESTONIA, FINLAND, FRANCE, GERMANY, GREECE, HUNGARY, INDIA, IRAQ, IRELAND, ISRAEL, ITALY, JORDAN, LATVIA, LEBANON, LITHUANIA, LUXEMBOURG, MACEDONIA, MALTA, NETHERLANDS, NEW ZEALAND, NORWAY, IRAN, POLAND, PORTUGAL, ROMANIA, RUSSIA, SAUDI ARABIA, SERBIA, SLOVAKIA, SLOVENIA, SPAIN, SWEDEN, SWITZERLAND, THAILAND, UKRAINE, VIETNAM, JAPAN	##* setCountry() set to n or ##*Incorrect item parameter entered
GETCOUNTRY	Get country	no parameter	##*COUNTRY IS : ...
SETCUSTOMERNAME	Change Customer name	string n (n = Customer name)	##*Customer name is set as n
GETCUSTOMER	Get Customer name	no parameter	##*Customer: [CUSTOMER]##*
BUILDINFO	Reports the build info.	no parameter	##*Build info = ... ##*Build Date = ...
FACTORY	Load factory settings to NVRAM. Settings are updated with defaults.	no parameter	##*Factory Settings were loaded to NVRAM.
RESET	Reset the device.	no parameter	##*Reset hardware
MENUTIMEOUT	Set menu time out mode.	integer n (n = 0 , n = 15, n = 30, n = 45, n = 60)	##*set menu timeout mode to OFF or ##*set menu timeout mode to 60 or ##*Invalid menu timeout mode
GETMENUTIMEOUT	Get menu time out mode	no parameter	##*menu timeout mode is OFF or ##*menu timeout mode is n or ##*can not get menu timeout mode Note: Above n is one of (15, 30,45, 60)

AUTOTVOFF	Set auto panel off level.	integer n (0 = off, 1 = 1 HOUR, 2 = 2 HOUR, 3 = 3 HOUR, 4 = 4 HOUR, 5 = 5 HOUR, 6 = 6 HOUR, 7 = 7 HOUR, 8 = 8 HOUR)	##set auto display off mode to n or ##set auto display off mode to OFF or ##auto display off must be Integer and between [0-8]
GETAUTOTVOFF	Get auto panel off mode.	no parameter	##auto Display off is n or ##auto Display off is OFF
GETSTANDBY	Get standby on/off.	no parameter	##standby off or ##standby on
INTERACTIVE STANDBY	Enter active standby state	no parameter	##Display will be sent to Active Standby state! or ##Display is in Active Standby state already!
EXITACTIVESTANDBY	Exit active standby state	no parameter	##Display will be turned on! or ## Display is not in Active Standby state!
GETTVLIFETIME	Prints panel life time in minutes.	no parameter	##Display Life Time: n
SETPOWERONDELAY	Set poweron delay level	integer n (0<=n<=20, delay is calculated as 100ms*n)	##Power on delay set to ... ms or ##NACK
GETPOWERONDELAY	Get poweron delay level	no parameter	##The power on delay is ... ms
SIGNAGERESET	Set all items in the signage settings menu to their default values.	no parameter	##All signage settings set to default values
SWOL	Set Wake on Lan option	integer n (n = 1 (enable), n = 0 (disable))	##Wake on Lan is set to enable. or ##Wake on Lan is set to disable. or ##NACK
GWOL	Get Wake on Lan option	no parameter	##Wake on Lan is enable. or ##Wake on Lan is disable.
TIME	Display the current date and time.	no parameter	Time = ...
SETTIMEMODE	Set time mode	string n ("auto", "manual")	##set time mode to n or ##invalid input type
GETTIMEMODE	Get time mode	no parameter	##time mode is n Note: Above n is "auto" or "manual".

SETPOWERMODE	Set Power Mode (SETPOWERMODE n)	string n (Eco,Standard)	**Set power mode to ... or **Invalid power mode parameter (<Eco/Standard>)
GETPOWERMODE	Returns Power Mode (Eco or Standard)	no parameter	**Power mode is
GETCPU TEMPERATURE	Gets cpu temperature	no parameter	**cpu temperature is ...
GETRAMUSAGE PERCENTAGE	Gets ram usage percentage	no parameter	**memory usage percentage is ... or **can not get memory usage percentage
set_video_output	Switch on and off, all the Panel Supply Voltages and Video Signals	integer n (0 = off, 1 = on)	**Video output is set to 0 or **Video output is set to 1 or **Invalid parameter
screen_capture_usb	Capture specified surface as png to USB stick.	integer n (0 for UI, 8 for video layer)	**Screen capture is successfull. or **Screen capture failed!
VIDOFF	Hides video.	no parameter	**Video off.
VIDON	Shows video.	no parameter	**Video on.
GETVIDSTATE	Get video state.	no parameter	**Video is on or **Video is off
SETSCHEDULER	enables/disables scheduler	string n (N_X, N_X) (N is scheduler number (1,2,3,4), X is "ON" or "OFF") ----- "SETSCHEDULER N_X" (SETSCHEDULER 1_OFF) (SETSCHEDULER 2_ON)	**The scheduler Plan N (1,2,3,4) is set to X (ON, OFF) or **Wrong parameter entered
GETSCHEDULER	gets scheduler enabled/disabled	"GETSCHEDULER N" (N is scheduler number) ----- "GETSCHEDULER 1"	**The scheduler Plan N (1,2,3,4) is ... (ON, OFF) or **Wrong parameter entered

<p>SETSCHEDULEOP</p>	<p>sets scheduler parameters</p>	<pre>string n (schedulerplannumber_ onenabled_ontime_offenabled_ offtime_days_ sourceorbrightness_value in format: A_B_hh:mm_C_ hh:mm_D_E_F) A = 1, 2, 3, 4 B = 0, 1 C = 0, 1 D = XXXXXXX (X = 0, 1) E = 0, 1 (0 = source, 1 = brightness) F; if E = 0, Available source names: Last Source USB DP OPS Type C HDMI 1 HDMI 2 HDMI 3 HDMI 4 if E = 1, backlight value = 0, 5, 10, 15, 20, 25, 30, 35, 40, 45, 50, 55, 60, 65, 70, 75, 80, 85, 90, 95, 100 ----- "SETSCHEDULEOP number_ enabled_ontime_offenabled_ offtime_days_source" (SETSCHEDULEOP 4_1_ 08:00_1_22:00_0111110_0 _HDMI 1)</pre>	<p>##*Schedule parameters are ... (set/not set).</p>
-----------------------------	----------------------------------	--	--

<p>GETSCHEDULEOP</p>	<p>gets scheduler parameters</p>	<pre>"GETSCHEDULEOP N" (N is scheduler number) N=1, 2, 3, 4 ----- GETSCHEDULEOP 1"</pre>	<p>##*Scheduler Plan N (1,2,3,4) on/off time, source and days are: (hh:mm_hh:mm_source_days) or ##*Scheduler Plan N (1,2,3,4) on/off time, backlight and days are: (hh:mm_hh:mm_backlight_days) or ##*Scheduler Plan N (1,2,3,4) is not set or ##*Wrong parameter entered</p>
-----------------------------	----------------------------------	--	---

STARTFTI	start Display Reset	no parameter	
----------	---------------------	--------------	--

MODE COMMANDS

Command	Description	Parameter	Return
SETSTARTUPSOURCE	Sets startup source which has been entered after power off on	integer n ($1 \leq n \leq 7$) Source Index (n=1) DP (n=2) SLOT/OPS (n=3) TYPE C (n=4) HDMI1 (n=5) HDMI2 (n=6) HDMI3 (n=7) HDMI4	#* The startup source is set to ... or #* Invalid startup source is entered.
GETSTARTUPSOURCE	Gets startup source which has been entered after power off on	no parameter	#*The startup source is ...
SETSTARTUPMODE	Set start up mode	integer n ($0 \leq n \leq 2$) (n = 0 => On, n = 1 => Standby, n = 2 => Last)	#*The startup mode is ... or #*Invalid startup mode entered.
GETSTARTUPMODE	Get startup mode	no parameter	#*The startup mode is ...
SETPANELLOCK	Set Panel lock availability (ON,OFF)	string n (ON, OFF)	#*Set panel lock to ... or #*Invalid panel lock parameter
GETPANELLOCK	Get panel lock availability	no parameter	#*The panel lock is ... or #*Panel lock has not been set yet.
SETMAXVOLUME	Set volume maximum level	integer n ($0 \leq n \leq 100$)	#* Maximum volume limit is set to ... or #* Invalid volume parameter!
GETMAXVOLUME	Get volume maximum level	no parameter	#*Maximum volume limit is ...
GETMINVOLUME	Get volume minimum level	no parameter	#The minimum volume is ...
SETSTARTVOLUME	Set startup volume	integer n ($0 \leq n \leq 100$)	#*Start up volume is set to ... or #*Volume can not be higher than maximum volume #*Invalid volume parameter!
GETSTARTVOLUME	Get startup volume	no parameter	#*Start up volume is ...

MEDIA BROWSER COMMANDS

Command	Description	Parameter	Return
SETSLIDESHOW INTERVAL	set slide show interval	integer n (5, 10, 15, 20, 25, 30)	##*The slideshow interval is set to ... seconds
GETSLIDESHOW INTERVAL	get slide show interval	no parameter	##*The slideshow interval is ... seconds
SETUSBAUTOPLAY	set usb autoplay mode	string n (ON, OFF)	##*The USB autoplay is set to ... (ON, OFF)
GETUSBAUTOPLAY	get usb autoplay mode	no parameter	##*The USB autoplay is ... (1, 0)
SETMBSUBTPOS	set subtitle position	string n (Up, Down)	##*The subtitle position is set to ... (up, down)
GETMBSUBTPOS	get subtitle position	no parameter	##*The subtitle position is ... (up, down)
SETMBSUBTFONTSIZE	set subtitle font size	integer n	##*The media browser subtitle font size is set to ...
GETMBSUBTFONTSIZE	get subtitle font size	no parameter	##*The media browser subtitle font size is ... (font size as in setter's parameters section)

SIGNAGE SETTINGS COMMANDS

Command	Description	Parameter	Return
GETTOTALSPACE	get total usb space	no parameter	##*The total space is ...
GETFREESPACE	get free usb space	no parameter	##*The free space is ...
OPENDISPLAY SETTINGS	Opens the Display Settings dialog	no parameter	##*Display Settings is opened
SETMODE_EMBEDDED TOUCH	Set the embedded touch mode	string (External,OPS,Display, TypeC,Auto)	##*Embedded touch mode is set to ***** or ##*Embedded touch mode is not set (invalid input)
SETMODE_WIFIBT	Set the wifi&bt switch value	string wifibt string usb string (Display,OPS,Auto)	##*Wifi & BT Switch Mode is set to ***** or ##*Wifi & BT Switch Mode is not set (invalid input)
SETMODE_USB	Set the Front&Internal USB status value	string usb string wifibt string (Display,OPS,Auto)	##*USB Mode is set to ***** or ##*USB Mode is not set (invalid input)
SETSIGNAGEID	Set Signage ID	integer n	##*Set Signage ID Success. or ##*Wrong parameter. Parameters must be integer

GETSIGNAGEID	Get Signage ID	no parameter	<p>##*The signage ID is ... or ##*The signage ID is 0 ##*Do not forget to enter signage ID! (If return value is 0)</p>
SHOWSIGNAGEID	display signage ID on screen	no parameter	<p>##* Signage ID is ... or ##* Signage ID is 0 ##*Do not forget to enter signage ID! (If return value is 0)</p>

NETWORK COMMANDS

Command	Description	Parameter	Return
get_IP_address	Get IP address of eth0 network interface. Usage: get_IP_address	no parameter	##*IPaddr: ...
SAVEWIFIPROFILE	Save access point to wifi_profile.	str-int ssid, bssid key	Profile saved. or Number of profiles exceeds the maximum number to be stored.
Wifi	checks if given SSID wifi is found or not and returns Pass or Fail.	str-int ssid	##*Pass or ##*FAIL
GETNETWORKTYPE	get network type (eg. GETNETWORKTYPE)	no parameter	##*the network type is <network-type>
SETSUBNETMASK	set subnet mask (subnet mask value should be of format nnn.nnn.nnn.nnn) (eg. SETSUBNETMASK nnn.nnn.nnn.nnn)	string "nnn.nnn.nnn.nnn"	##*set subnet mask: nnn.nnn.nnn.nnn or ##*setting subnet mask is failed
GETSUBNETMASK	get subnet mask (eg. GETSUBNETMASK)	no parameter	##*the subnet mask is nnn.nnn.nnn.nnn
SETDEFAULTGATEWAY	set default gateway (default gateway value should be of format nnn.nnn.nnn.nnn) (eg. SETDEFAULTGATEWAY nnn.nnn.nnn.nnn)	string "nnn.nnn.nnn.nnn"	##*set default gateway: nnn.nnn.nnn.nnn or ##*setting default gateway is failed
GETDEFAULTGATEWAY	get default gateway (eg. GETDEFAULTGATEWAY)	no parameter	##*the default gateway is nnn.nnn.nnn.nnn
SETDNS1	set DNS server 1 (DNS server value should be of format nnn.nnn.nnn.nnn) (eg. SETDNS1 nnn.nnn.nnn.nnn)	string "nnn.nnn.nnn.nnn"	##*set DNS server 1 to: nnn.nnn.nnn.nnn or ##*setting DNS server 1 failed
GETDNS1	get DNS server 1 (eg. GETDNS1)	no parameter	##*DNS server 1 is nnn.nnn.nnn.nnn
SETDNS2	set DNS server 2 (DNS server value should be of format nnn.nnn.nnn.nnn) (eg. SETDNS2 nnn.nnn.nnn.nnn)	string "nnn.nnn.nnn.nnn"	##*set DNS server 2 to: nnn.nnn.nnn.nnn or ##*setting DNS server 2 failed

GETDNS2	get DNS server 2 (eg. GETDNS2)	no parameter	##DNS server 2 is nnn.nnn.nnn.nnn
GETINTERNETSPEED	get internet speed	no parameter	##The internet speed is ... Mbps
SETPROXY	Sets proxy configuration	string (nnn.nnn.nnn.nnn:nnnn)	##addr = nnn.nnn.nnn.nnn, port = nnnn
GETPROXY	Gets proxy configuration	no parameter	##Current proxy is nnn.nnn.nnn.nnn:nnnn or ##No proxy address
CLEARPROXY	Clears proxy configuration	no parameter	##Proxy was cleaned

PC COMMANDS

Command	Description	Parameter	Return
SETOSDORIENTATION	Set OSD orientation	string-integer n (n = landscape	##Wrong parameter entered (landscape) or ##The OSD orientation set OK or ##The OSD orientation set NOK
GETOSDORIENTATION	Get OSD orientation	no parameter	##The OSD orientation ...

SETOPSPower	Set OPS power status	string parameter "on" or "off"	##Turning OPS on ##Turning OPS off ##The OPS is already on ##The OPS is already off ##The OPS is not enabled ##The OPS is not plugged in ##invalid value entered
GETOPSPower	Get OPS power status	no parameter	##The OPS is on ##The OPS is off ##The OPS is not enabled ##The OPS is not plugged in
SETOPSALWAYSON	Set OPS Always on value	string parameter "true" or "false"	##invalid value entered ##The OPS is not enabled ##OPS Always on set as true ##OPS Always on set as false

PICTURE COMMANDS

Command	Description	Parameter	Return
SETBACKLIGHT	Set backlight pin status.	str-int n (n = ON, n = OFF)	##setBacklight port to ON or ##setBacklight port to OFF
SETBACKLIGHTLEVEL	Set backlight level.	int n (0 ≤ n ≤ 100)	##Backlight level set to n or ##NACK
GETBACKLIGHTLEVEL	Get backlight level.	no parameter	##The backlight level is ...
COLOURTEMP	Set colour temperature.	str-int n (n = normal, warm, cool)	##setColourTemp() set to n

GETCOLOURTEMP	Get colour temperature.	no parameter	##*Colour temp is ...
PICTUREMODE	Select picture mode.	Display ----> int n (1 = dynamic, 2 = natural, 3 = cinema, 4 = game, 5 = sport) Signage ----> int n (1 = signage, 2 = natural, 3 = text, 4 = game, 5 = sport)	##*setPictureMode() set to n or ##*Incorrect picture mode parameter entered
GETPICTUREMODE	Get picture mode.	no parameter	##*Picture Mode is ... for current source
GETCONTRAST	Get picture contrast value.	no parameter	##*THE CONTRAST VALUE : ...
SETCONTRAST	Set picture contrast value.	int n (0 ≤ n ≤ 100)	##*Picture contrast value is set to n or ##*Same value is set. Do nothing. or ##*Incorrect parameter entered! Value must be in the range 0-100
GETBRIGHTNESS	Get picture brightness value.	no parameter	##*THE BRIGHTNESS VALUE : ...
SETBRIGHTNESS	Set picture brightness value.	int n (0 ≤ n ≤ 100)	##*Picture brightness value is set to n or ##*Same value is set. Do nothing. or ##*Incorrect parameter entered! Value must be in the range 0-100
GETSHARPNESS	Get picture sharpness value.	no parameter	##*THE SHARPNESS VALUE : ...
SETSHARPNESS	Set picture sharpness value.	int n (0 ≤ n ≤ 100)	##*Picture brightness value is set to n or ##*Same value is set. Do nothing. or ##*Incorrect parameter entered! Value must be in the range 0-100
PICTUREZOOM	Set picture zoom mode.	str-int n (n = auto, 16:9, subtitle, 14:9, 14:9zoom, 4:3, full(only for HD channels), cinema) Customer Christie => (n = auto shows Overscan on Display)	##*setPictureZoomMode() set to n or ##*Incorrect picture zoom mode parameter entered
GETPICTUREZOOM	Get picture zoom mode.	no parameter	##*Picture zoommode is ...

SETNOISEREDUCTION	Set noise reduction.	str-int n (n = OFF, n = LOW, n = MEDIUM, n = HIGH)	**NoiseReduction set to n or **Missing noise reduction state
GETNOISEREDUCTION	Get noise reduction.	no parameter	**NoiseReduction is ...
BRIGHTNESSUP	Increase Brightness Level by 1 step	no parameter	Picture brightness value is set to ... or Picture brightness value is at max value. You can not increase brightness level further.
BRIGHTNESSDOWN	Decrease Brightness Level by 1 step	no parameter	Picture brightness value is set to ... or Picture brightness value is at min value. You can not decrease brightness level further.
CONTRASTUP	Increase Contrast Level by 1 step	no parameter	Picture contrast value is set to ... or Picture contrast value is at max value. You can not increase contrast level further.
CONTRASTDOWN	Decrease Contrast Level by 1 step	no parameter	Picture contrast value is set to ... or Picture contrast value is at min value. You can not decrease contrast level further.
SETMICRODIMMING	Set micro dimming	str-int n (n = OFF, n = LOW, n = MEDIUM, n = HIGH)	** Set Micro Dimming Level n or **Invalid parameter. Set Micro Dimming Level (OFF, LOW, MEDIUM, HIGH)
GETMICRODIMMING	Get micro dimming	no parameter	**Micro Dimming Level ...
SETCOLOURSHIFT	Set colour shift.	int n (-50 <= n <= 50)	**Colour shift is set to n or ** Same value is set. Do nothing. **Incorrect parameter entered ! Value must between defined ranges
GETCOLOURSHIFT	Get colour shift.	no parameter	**Colour shift is ...
SETWB	Set white balance value.	str-int type, value (type = redgain, greengain, bluegain, redoffset, greenoffset, blueoffset) (0 ≤ value ≤250)	**White Balance is set to value or Invalid value for White Balance (0-255) or Invalid type for White Balance

INCWB	Increment white balance value by n.	str-int type n (type = redgain, greengain, bluegain, redoffset, greenoffset, blueoffset) ($0 \leq n \leq 250$)	#*White Balance is set to ... or Invalid value for White Balance (0-255) or Invalid type for White Balance
DECWB	Decrement white balance value by n.	str-int type n (type = redgain, greengain, bluegain, redoffset, greenoffset, blueoffset) ($0 \leq n \leq 250$)	#*White Balance is set to ... or Invalid value for White Balance (0-255) or Invalid type for White Balance
GETWB	Get white balance value.	str-int type (type = redgain, greengain, bluegain, redoffset, greenoffset, blueoffset)	#* type ...
HDR	Set HDR Mode	str-int n (n = ON, n = OFF)	HDR mode is n or Invalid parameter...
SETDYNAMIC CONTRAST	Set dynamic contrast.	str-int n (n = OFF, n = LOW, n = MEDIUM, n = HIGH)	#*Dynamic contrast value is set to n or #*Invalid parameter. Set Dynamic Contrast value (OFF, LOW, MEDIUM, HIGH)
GETDYNAMIC CONTRAST	Get dynamic contrast.	no parameter	#*Dynamic contrast is ...
SETGAMMAPOWER	Set gamma power	int n (limits not clarified)	Gamma Power Mode is set to n
GETGAMMAPOWER	Get gamma power	no parameter	Gamma Power Mode is ...
SETGAMUTMODE	Set gamut mode	int n (limits not clarified)	Gamut Color Mode is set to n
GETGAMUTMODE	Get gamut mode	no parameter	Gamut Color Mode is ...

BROWSER COMMANDS

Command	Description	Parameter	Return
OPENURL	Starts the given URL and returns web page load status directly.	string-integer n <load url='n' />	#*status= ... url=n
GETURL	Gets URL of the current page if the portal is active.	no parameter	#*URL : ...
SETSETTINGSURL	Sets the browser settings URL (URL set by the command is opened with long press on CMS key)	string	#*Setting URL is set
GETSETTINGSURL	Gets the browser settings URL	no parameter	#*Setting URL is ...

SETSTARTURL	Sets the start URL	string	##*Start URL is set
GETSTARTURL	Gets the start URL	no parameter	##*Start URL is ...
GETUSERAGENT	Gets portal user agent.	no parameter	##*Current UA : ...
CLEARCACHE	Clear browser cache/cookies (Private datas like web form)	no parameter	##*Browser cookies are cleared
CLEARBROWSERDATA	Clear browser data files like History, Bookmarks, Speed Dial and Configuration	no parameter	##*Browser data files are cleared
GETCMSSTATUS	Gets the CMS status	no parameter	##*Do cms status assignment with SETCMSSTATUS command or Returns the value of cms status
SETCMSSTATUS	Sets the CMS status	string parameter max. length of 255 characters	##*CMS status set to ... or ##*NACK
GETCMSPARAMS	Gets the CMS parameters	no parameter	##*Do cms param assignment with SETCMSPARAMS command. or Returns the value of cms params
SETCMSPARAMS	Sets the CMS parameters	string parameter max. length of 255 characters	##*CMS params set to ... or ##*NACK
SETBROWSERDEBUG	Sets the browser debug 4725 port	string n (n = ON, n = OFF)	browser debug 4725 port is enabled or browser debug 4725 port is disabled
SETBROWSECORS	Set browser cors status to enable disable web security flag	int n (n = 0,1)	##*Browser cors is enabled or ##*Browser cors is disabled or ##*Browser cors operation is failed *Reboot is required after the command is executed
GETBROWSECORS	Get browser cors status	no parameter	##*Browser cors is enabled or ##*Browser cors is disabled

TROUBLESHOOTING

Issue	Resolution
Can't control the display with the remote control	<ol style="list-style-type: none">1. Check if anything such as tape has been placed over the receiver.2. Check if there is any obstacle between the display and the remote control.3. Replace the batteries with new ones.
No image and no sound	<ol style="list-style-type: none">1. Check if the display is turned on.2. Check if the power cord is connected to a wall outlet.3. Check if there is a problem in the wall outlet by connecting other products.
The display turns off suddenly	<ol style="list-style-type: none">1. Check the power control settings. The power supply may be interrupted.2. Check if the auto-off function is activated. See Scheduler Settings, page 13.3. If there is no signal while the display is on, the display will turn off automatically after 15 minutes of inactivity.
When connecting to the PC (HDMI), no signal is detected	Turn the display off/on using the remote control. <ol style="list-style-type: none">1. Reconnect the HDMI cable.2. Restart the PC with the display on.

TESTING AND COMPLIANCE

FCC INTERFERENCE STATEMENT

This equipment has been tested and found to comply with the limits for a Class B digital device, pursuant to Part 15 of the FCC Rules. These limits are designed to provide reasonable protection against harmful interference in a residential installation. This equipment generates, uses and can radiate radio frequency energy and, if not installed and used in accordance with the instructions, may cause harmful interference to radio communications. However, there is no guarantee that interference will not occur in a particular installation.

If this equipment does cause harmful interference to radio or television reception, which can be determined by turning the equipment off and on, the user is encouraged to try to correct the interference by one of the following measures:

- Reorient or relocate the receiving antenna.
- Increase the separation between the equipment and receiver.
- Connect the equipment into an outlet on a circuit different from that to which the receiver is connected.
- Consult the dealer or an experienced radio/TV technician for help.

FCC Caution: Any changes or modifications not expressly approved by the party responsible for compliance could void the user's authority to operate this equipment.

This device complies with Part 15 of the FCC Rules. Operation is subject to the following two conditions: (1) This device may not cause harmful interference, and (2) this device must accept any interference received, including interference that may cause undesired operation.

For product available in the USA/Canada market, only channel 1~11 can be operated. Selection of other channels is not possible.

IMPORTANT NOTE

FCC Radiation Exposure Statement

This equipment complies with FCC radiation exposure limits set forth for an uncontrolled environment. This equipment should be installed and operated with minimum distance 20cm between the radiator & your body.

LICENSE NOTIFICATION

The terms HDMI, HDMI High-Definition Multimedia Interface, HDMI trade dress and the HDMI Logos are trademarks or registered trademarks of HDMI Licensing Administrator, Inc.



Manufactured under license from Dolby Laboratories.

Dolby, Dolby Audio, and the double-D symbol are trademarks of Dolby Laboratories Licensing Corporation.

The Bluetooth® word mark and logos are registered trademarks owned by the Bluetooth SIG, Inc. and any use of such marks by is under license. Other trademarks and trade names are those of their respective owners.

This product is protected by certain intellectual property rights of Microsoft Corporation. Use or distribution of such technology outside of this product is prohibited without a license from Microsoft or an authorized Microsoft subsidiary.

WARRANTY

1. Limited Warranty

a. General

Subject to the terms and conditions of this Limited Warranty, from the date of sale through the period of time for product categories specified in Section 1(b), ADI warrants AVARRO branded products to be free from defects in materials and workmanship under normal use and service, normal wear and tear excepted. Except as required by law, this Limited Warranty is only made to Buyer and may not be transferred to any third party.

ADI shall have no obligation under this Limited Warranty or otherwise if:

- (i) The product is improperly installed, applied or maintained; (ex – damaged plug, power cables)
- (ii) The product is installed outside of stated operating parameters, altered, or improperly services or repaired, mechanical-cosmetic damage, unauthorized openings, unauthorized spare parts used.
- (iii) Damage is caused by outside natural occurrences, such as lightning, power surges, fire, floods, acts of nature, or the like.
- (iv) Defects resulting from unauthorized modification, misuse, vandalism, exposed in temperature parameters outside of specification or other causes unrelated to defective materials or workmanship, or failures related to batteries of any type used in connection with the products sold hereunder.

Also, in case where the operating instructions have not been properly applied, easily verified damage due to external force applied on product.

- (v) No fault found or Non-technical cases: The issues that are verified not technical due to by the product itself. Example: occurred issues due to external devices.
- (vi) Wrong/Missing serial numbers/Repeated serial numbers within 90 days with the same failure.

ADI only warrants those products branded AVARRO and sold by ADI. Any other products branded by third parties are warranted by the third party manufacturer for a period as defined by the third party manufacturer, and ADI assigns to Buyer those warranties and only those warranties extended by such third party manufacturers or vendors for non-ADI branded products. ADI does not itself warrant any non-ADI branded product and sells only on an as is basis in accordance with ADI's terms and conditions of sale.

b. Specific Warranties for product categories are as follows:

Product Categories	Warranty Period
Displays	3 years

2. EXCLUSION OF WARRANTIES, LIMITATION OF LIABILITY

THERE ARE NO WARRANTIES OR CONDITIONS, EXPRESS OR IMPLIED, OF MERCHANTABILITY, OR FITNESS FOR A PARTICULAR PURPOSE OR OTHERWISE, WHICH EXTEND BEYOND THE DESCRIPTION ON THE FACE HEREOF. TO THE FULLEST EXTENT PERMITTED BY LAW, IN NO CASE SHALL ADI BE LIABLE

TO ANYONE FOR ANY (I) CONSEQUENTIAL, INCIDENTAL, INDIRECT, SPECIAL, OR PUNITIVE DAMAGES ARISING OUT OF OR RELATING IN ANY WAY TO THE PRODUCT AND/OR FOR BREACH OF THIS OR ANY OTHER WARRANTY OR CONDITION, EXPRESS OR IMPLIED, OR UPON ANY OTHER BASIS OF LIABILITY WHATSOEVER, EVEN IF THE LOSS OR DAMAGE IS CAUSED BY ADI'S OWN NEGLIGENCE OR FAULT AND EVEN IF ADI HAS BEEN ADVISED OF THE POSSIBILITY OF SUCH LOSSES OR DAMAGES. Any product description (whether in writing or made orally by ADI or ADI's agents), specifications, samples, models, bulletin, drawings, diagrams, engineering sheets, or similar materials used in connection with the Buyer's order are for the sole purpose of identifying ADI's products and shall not be construed as an express warranty or condition. Any suggestions by ADI or ADI's agents regarding use, applications or suitability of the products shall not be construed as an express warranty or condition unless confirmed to be such in writing by ADI. ADI does not represent that the products it sells may not be compromised or circumvented; that the products will prevent any personal injury or property loss by burglary, robbery, fire or otherwise, or that the products will in all cases provide adequate warning or protection. Buyer understands and will cause its customer to understand that a properly installed and maintained product is not insurance or guarantee that such will not cause or lead to personal injury or property loss. CONSEQUENTLY ADI SHALL HAVE NO LIABILITY FOR ANY PERSONAL INJURY, PROPERTY DAMAGE OR OTHER LOSS BASED ON ANY CLAIM AT ALL INCLUDING A CLAIM THAT THE PRODUCT FAILED TO GIVE WARNING. However, if ADI is held liable whether directly or indirectly for any loss or damage with respect to the products it sells, regardless of cause or origin, its maximum liability shall not in any case exceed the purchase price of the product, which shall be fixed as liquidated damages and not as a penalty and shall be the complete and exclusive remedy against ADI.

3. Limitation on Liability to Buyer's Customers.

Buyer agrees to limit liability to its customers to the fullest extent permitted by law. Buyer acknowledges that ADI shall only be deemed to give consumers of its products such statutory warranties as may be required by law and at no time shall Buyer represent to its customers and/or users of ADI products that ADI provides any additional warranties. By accepting the products, to the fullest extent permitted by law, Buyer assumes all liability for, and agrees to indemnify and hold ADI harmless against and defend ADI from, any and all suits, claims, demands, causes of action and judgments relating to damages, whether for personal injury or to personal property, suffered by any person, firm, corporation or business association, including but not limited to, Buyer's customers and/or users of the products because of any failure of the products to detect and/or warn of the danger for which the goods were designed or any other failure of the products whether or not such damages are caused or contributed to by the sold or joint concurring negligence or fault of ADI.

4. Returns

Subject to the terms and conditions listed below, during the applicable warranty period, ADI will replace Product or provide a credit at purchase at its sole option free of charge any defective products returned prepaid. Any obligations of ADI to replace Limited Lifetime warranty products pursuant to this warranty which result from defect are limited to the availability of replacement product. ADI reserves the right to replace any such products with the then currently available products, or provide a credit in its sole discretion. In the event Buyer has a problem with any ADI product, please call your local ADI branch for return instructions:

For US call 1-800-233-6261

For Canada call 877-234-7378

For Puerto Rico call 787-793-8830

Be sure to have the model number and the nature of the problem available. In the event of replacement, the return product will be credited to Buyer's account and a new invoice issued for the replacement item. ADI reserves the right to issue a credit only in lieu of replacement.

If any AVARRO branded products are found to be in good working order or such product's inability to function properly is a result of user damage or abuse, the product will be returned to Buyer in the same condition as received and Buyer shall be responsible for any return freight changes.

5. Governing Law

The laws of State of New York apply to this Limited Warranty.

6. Miscellaneous

Where any term of this Limited Warranty is prohibited by such laws, it shall be null and void, but the remainder of the Limited Warranty shall remain in full force and effect.

CONSIGNÉS DE SÉCURITÉ IMPORTANTES

LISEZ TOUTES LES INSTRUCTIONS AVANT L'INSTALLATION ET L'UTILISATION.
CONSERVEZ CE MANUEL POUR CONSULTATION ULTÉRIEURE.



Risque de choc électrique ou d'incendie

- POUR ÉVITER TOUT RISQUE DE CHOC ÉLECTRIQUE, NE RETIREZ PAS LE COUVERCLE (OU L'ARRIÈRE). L'ENTRETIEN DES PIÈCES INTERNES EST INTERDIT AUX UTILISATEURS. VEUILLEZ CONFIER L'ENTRETIEN À UN PERSONNEL QUALIFIÉ.
- N'utilisez PAS trop les prises et les rallonges.
- N'ouvrez PAS le couvercle du moniteur et n'insérez pas d'objets dans les orifices.
- En cas de conditions météorologiques extrêmes (orages, foudre), débranchez le produit de la prise de courant.
- N'utilisez PAS de pièces non autorisées pour la réparation.
- Ne retirez/n'insérez PAS la fiche d'alimentation avec les mains mouillées.

AVERTISSEMENTS :

- Le présent appareil n'a pas été fabriqué pour être utilisé par des personnes (les enfants inclus) aux capacités physiques sensorielles ou intellectuelles limitées ou manquant d'expérience et de connaissances à moins d'avoir été encadrés ou formés au niveau de l'utilisation de l'appareil par une personne responsable de leur sécurité
- Conformez-vous aux avertissements et consignes indiqués sur l'appareil et décrit dans ce manuel.
- Réservé à un usage intérieur uniquement.
- Débranchez le produit avant de le nettoyer et utilisez uniquement un chiffon humide ou un nettoyeur pour écran LCD. N'appliquez PAS directement l'agent nettoyant sur l'appareil.
- NE placez PAS l'appareil près des lavabos, des éviers, des piscines ou d'autres sources d'eau.
- N'exposez PAS l'appareil à des gouttes ou des éclaboussures de liquide et ne posez pas d'objets contenant du liquide, tels que des vases ou des tasses, sur ou au-dessus de l'appareil.
- Laissez un espace d'au moins 5 cm entre l'appareil et les murs ou les meubles pour assurer une ventilation adéquate.
- L'appareil ne peut être alimenté que par la source d'énergie définie sur sa plaque signalétique. Pour plus d'informations, contactez votre vendeur.
- NE branchez PAS le cordon d'alimentation sur une multiprise ou une rallonge. L'utilisation de ces produits peut entraîner une surchauffe et un incendie.
- Par mesure de sécurité, l'appareil est livré avec une fiche de mise à la terre à trois broches. N'essayez jamais de modifier la fiche de mise à la terre. Utilisez toujours une prise secteur mise à la terre pour le produit.
- Installez le produit dans un endroit où son fonctionnement ne causera pas d'interférences avec les câbles électriques.
- Si vous n'utilisez pas l'appareil pendant une période prolongée, débranchez le cordon d'alimentation de l'appareil de la prise.
- Installez le produit dans un endroit bien ventilé, à l'abri de la lumière, de la chaleur et de l'humidité.
- La température de l'appareil doit être maintenue à 0° C - 40° C pour éviter tout risque de dommages permanents.
- Utilisez toujours le cordon d'alimentation mis à la terre fourni avec votre appareil et branchez le cordon dans une prise mise à la terre. Le fabricant n'est pas responsable des dommages causés par des cordons d'alimentation inadéquats ou une absence de mise à la terre.
- L'appareil doit être installé près d'une prise de courant facilement accessible et mise à la terre.
- NE touchez PAS les parties de l'appareil qui deviennent chaudes. Une exposition prolongée peut entraîner des brûlures à basse température.
- Le panneau LCD est en verre, il peut se briser si le produit tombe ou subit un impact violent. Si cela se produit, soyez prudent lorsque vous manipulez du verre brisé pour éviter de vous blesser.
- L'utilisation de l'appareil ne doit pas entraîner des risques mortels ou des dangers qui pourraient

provoquer directement la mort, des blessures sur le personnel, des dommages physiques sévères ou d'autres destructions, notamment dans le contrôle des réactions nucléaires dans les installations nucléaires, dans les systèmes médicaux de réanimation, ou dans le contrôle de lancement des missiles des systèmes d'armes.

- N'exposez PAS l'appareil à la lumière directe du soleil. NE placez PAS de flamme nue, comme une bougie allumée, sur ou à proximité du produit.
- NE placez PAS de source de chaleur, comme un radiateur ou un appareil de chauffage, près de l'appareil.
- Réglez uniquement les commandes comme décrit dans le mode d'emploi. Un mauvais réglage des commandes peut causer des dommages, nécessitant souvent des réparations importantes par un technicien qualifié.
- NE secouez PAS l'appareil. Assurez-vous qu'il reste stable et sécurisé.
- NE conservez PAS votre appareil dans un environnement extrêmement chaud ou froid.
- Pour éviter les risques de suffocation, gardez les sacs en plastique hors de la portée des enfants.
- Soyez prudent lorsque vous connectez des câbles aux bornes d'entrée et de sortie. L'inversion des connexions d'entrée et de sortie peut causer des dysfonctionnements ainsi que d'autres problèmes.
- N'obstruez PAS les ouvertures de ventilation ; une ventilation adéquate empêche l'appareil de surchauffer. N'introduisez jamais d'objets par les orifices de cet appareil.

REMARQUE : L'équipement relié à la mise à la terre de protection d'un bâtiment et à un système de distribution de câbles par câble coaxial peut créer un risque d'incendie. Par conséquent, le branchement à un système de distribution par câble doit être établi à travers un dispositif présentant un isolant électrique inférieur à une certaine gamme de fréquences (isolateur galvanique, voir EN 60728-11).

PIÈCES ET FONCTIONS

CONTENU DE L'EMBALLAGE

- Affichage
- Télécommande
- Piles : 2 x AAA
- Support d'écran
- Cordon d'alimentation (59 po)
- Guide de mise en marche rapide
- Manuel d'utilisation

SPÉCIFICATIONS

Type de panneau	43 po (108 cm) (16/7 DLED	55 po (139 cm) (16/7 DLED	65 po (164cm) (16/7 DLED
Résolution	3840x2160 (16:9) UHD	3840x2160 (16:9) UHD	3840x2160 (16:9) UHD
Angle de vision	Horizontal	89°	89°
	Perpendiculaire	89°	89°
Luminosité max.	Type : 350 cd/m2	Type : 350 cd/m2	Type : 350 cd/m2
Fréquence horizontale	60 (KHz)	60 (KHz)	60 (KHz)
Fréquence verticale	67,5 (KHz)	67,5 (KHz)	67,5 (KHz)
Dimensions de l'écran Profondeur x longueur x hauteur (mm)	2,59 po (66 mm) x 37,9 po (964 mm) x 22 po (561 mm)	2,59 po (66 mm) x 48,5 po (1 233 mm) x 28 po (712 mm)	2,8 po (72 mm) x 57,1 po (1452 mm) x 32,9 po (837 mm)
Poids (Kg)	7	13,25	18,75
Puissance	110 - 240 V CA, 50 - 60 Hz, 120 W	110 - 240 V CA, 50 - 60 Hz, 140W	110 - 240 V CA, 50 - 60 Hz, 200W
Audio	Puissance de sortie audio 2 x 10 W	Puissance de sortie audio 2 x 10 W	Puissance de sortie audio 2 x 8 W

Connexion Réseau

1 x Ethernet (LAN) pour la connectivité Internet
802.11 a/b/g/n/ca support WLAN intégré

Ports d'entrée/de sortie

1 x port RS-232 (3,5 mm)
1 x port Ethernet
1 x port USB 3.0 (5 VCC max 900 mA)
1 x port USB 2.0 (5 VCC max 500 mA)
2 x ports d'entrée HDMI 2.0 (port 1.4 pour panneaux FHD)
1 x port RJ12 (à usage de service uniquement)

Spécifications du transmetteur LAN sans fil

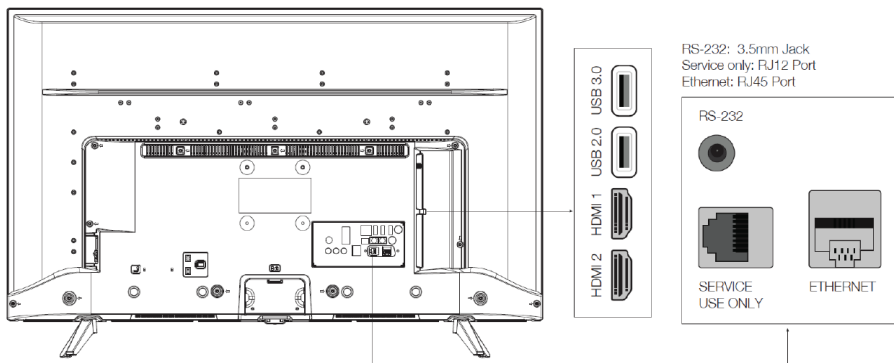
Gammes de fréquence	Puissance max de sortie
2400 - 2483,5 MHz (CH1 - CH13)	< 100 mW
5150 - 5250 MHz (CH36 - CH48)	< 200 mW
5250 - 5350 MHz (CH52 - CH64)	< 200 mW
5470 - 5725 MHz (CH100 - CH140)	< 200 mW

Vérifiez auprès des autorités locales l'état actuel de leur réglementation nationale pour les réseaux locaux sans fil 2,4 GHz et 5 GHz.

PANNEAU ET PORTS

Assurez-vous **d'éteindre l'interrupteur principal** et **de débrancher la fiche de la prise de courant** avant de brancher/débrancher les câbles. Lisez également la section Équipements à connecter contenue dans le manuel.

Remarque : Les câbles HDMI non certifiés ou ceux de plus de 16 pieds (5 mètres) peuvent causer des problèmes d'affichage. Utilisez un câble HDMI haute vitesse haut de gamme certifié.



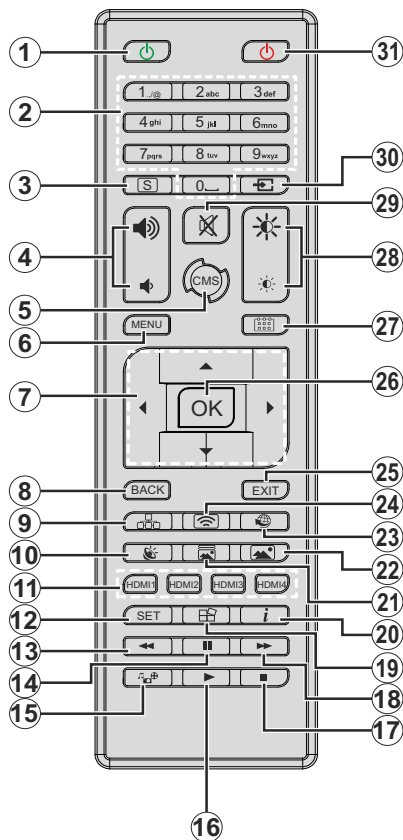
TÉLÉCOMMANDE

Insertion des piles dans la télécommande

1. Retirez la vis qui fixe le couvercle du compartiment à piles, puis retirez le couvercle.
2. Insérez deux piles AAA de 1,5 V, en vous assurant que les signes (+) et (-) correspondent à ceux indiqués sur la télécommande.
3. Insérez à nouveau le couvercle et fixez-le à l'aide de la vis. Ne serrez pas trop.

Bouton Veille

1. Appuyez sur le bouton **Veille-Arrêt** et maintenez-le enfoncé jusqu'à ce que la boîte de dialogue **Mise hors tension** apparaisse à l'écran.
2. Sélectionnez et appuyez sur le bouton **OK**. L'écran passe en mode veille.
3. Appuyez brièvement sur le bouton **Veille-Arrêt** et relâchez-le pour passer en mode veille rapide ou pour allumer l'écran en mode veille rapide ou en mode Veille.



1. **Veille-Marche** : permet d'allumer l'écran
2. **Boutons numériques** : Utilisés pour entrer des chiffres/lettres dans la zone de texte à l'écran
3. **Signalisation** : Affiche le menu Paramètres de signalisation
4. **Volume +/-** : sert à augmenter ou à réduire le volume
5. **CMS** : Ce paramètre se trouve dans Paramètres d'affichage > Paramètres de signalisation > Paramètres de mise sous tension. Assurez-vous que cette option est activée. Si elle est définie sur Désactivé, elle ne fonctionnera pas.
6. **Menu** : Ouvre le menu Paramètres d'affichage
7. **Boutons de direction** : Naviguez dans les menus, le contenu, etc.
8. **Retour** : retourne à l'écran précédent.
9. **Réseau** : Affiche le menu Réseau & Internet
10. **Audio** : Affiche le menu Son
11. **Boutons HDMI** : Permute la source d'entrée HDMI
12. **Réglage** : Bloque l'image affichée. Appuyez à nouveau pour dégeler l'image.
13. **Rembobiner** : Met les médias/entrées en cours de lecture en pause
14. **Pause** : Suspend la lecture du média en cours
15. **Lecteur multimédia** : Lance l'application du lecteur multimédia
16. **Lecture** : Reprend la lecture du média en pause, commence à lire depuis le début.
17. **Arrêt** : suspend définitivement la lecture du média en cours.
18. **Avance rapide** : Déplace les images vers l'avant
19. Affiche le menu
20. **Info** : Affiche les informations concernant le contenu à l'écran,
21. **Mode Image** : Ouvre l'écran de sélection du mode d'image Utilisez les touches directionnelles gauche ou droite pour changer le mode d'image
22. **Image** : Affiche le menu Image
23. **Internet** : Lance l'application du navigateur
24. **Affichage sans fil** : ouvre l'écran de connexion de l'affichage sans fil.
25. **Quitter** : Ferme les menus affichés ou revient à l'écran précédent
26. **OK** : confirme les sélections de l'utilisateur.
27. **Planificateur** : Affiche le menu Paramètres du planificateur
28. **Luminosité +/-** : Augmente ou diminue la luminosité de l'écran
29. **Muet** : Volume désactivé
30. **Source** : affiche toutes les sources de contenu disponibles.
31. **Veille-désactivé** : Écran éteint

Utilisation de la Télécommande

- Appuyez sur le bouton **Précédent/Retour** ou **Quitter** pour afficher ou revenir à l'Écran d'accueil.
- Appuyez sur le bouton Menu pour afficher les **Paramètres d'affichage**. Utilisez les boutons directionnels pour mettre en surbrillance l'option souhaitée et appuyez sur **OK** pour ajuster les paramètres, définir les préférences, accéder aux sous-menus, lancer des applications et plus encore.

Sélection d'entrée

- Une fois que vous avez connecté des systèmes externes à votre écran, vous pouvez basculer vers différentes sources d'entrée.
- Appuyez sur le bouton **Source** de votre télécommande. Utilisez les boutons directionnels pour mettre en surbrillance une option source et appuyez sur le bouton **OK** pour passer à cette source. Ou appuyez sur le bouton HDMI dédié de la télécommande.

Réglage du volume et de la luminosité

- Réglez le volume à l'aide des boutons **Volume +/-** et de la luminosité à l'aide des boutons **Luminosité +/-** de la télécommande.
- Réglez la luminosité à l'aide de l'option **Luminosité** dans **Paramètres d'affichage > Image**. Appuyez sur le bouton **Menu** de la télécommande pour afficher le menu **Paramètres d'affichage**.

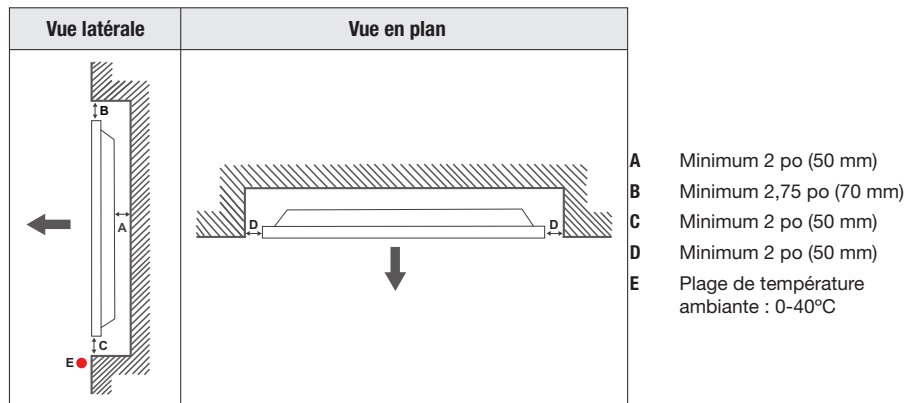
INSTALLATION

MONTAGE

AVERTISSEMENT : Lors d'un montage mural, veillez à ce que l'appareil soit installé selon la méthode recommandée par le fabricant.

- Lisez toutes les instructions avant de monter le produit sur un mur.
- Les supports muraux sont optionnels et peuvent être achetés auprès de votre vendeur local.
- N'installez pas l'appareil sur un mur incliné.
- Utilisez les vis de fixation murale et autres accessoires recommandés.
- Serrez fermement les vis de fixation murale pour éviter la chute de l'appareil. Ne serrez pas trop les vis.

Installation dans un mur encastré

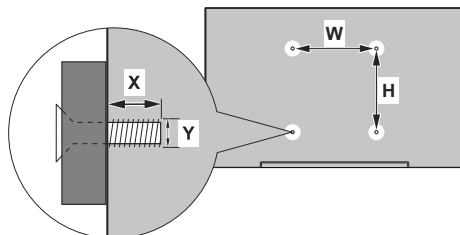




Lors de l'installation du produit dans un mur encastré, laissez au moins l'espace spécifié ci-dessus entre le produit et le mur pour la ventilation et assurez-vous que la température ambiante est maintenue entre 0° C et 40° C.

Le fabricant n'est pas responsable des dommages ou des défaillances causés par une mauvaise utilisation ou installation de ce produit.

MESURES VESA



Taille	W	H	Longueur (X) min/max	Fil (Y)
43 po	100 mm	100 mm	6-9 mm	M4
55 po	200 mm	200 mm	8-11mm	M6
65 po	400 mm	200 mm	6-9 mm	M6

MISE EN MARCHÉ/ARRÊT DU TÉLÉVISEUR

IMPORTANT : L'écran est conçu pour fonctionner avec une alimentation 110-240 VAC, 50/60 Hz.

MISE EN MARCHÉ du téléviseur

- Branchez l'extrémité femelle du cordon d'alimentation fourni dans l'entrée d'alimentation à l'arrière de l'écran (ENTRÉE CA) et branchez l'extrémité mâle du cordon d'alimentation dans l'alimentation.
- Allumez le commutateur d'alimentation sur l'écran, situé à l'arrière, en bas à droite de l'appareil. L'affichage passe en mode veille et la LED d'alimentation s'allume.
- Appuyez sur le bouton Veille-Marche ou sur le bouton Commande sur l'écran.

Mode Veille

- Appuyez sur le bouton Veille-Arrêt de la télécommande et maintenez-le enfoncé. La boîte de dialogue de mise hors tension s'affiche à l'écran.
- Mettez OK en surbrillance et appuyez sur le bouton OK. L'écran passe en mode Veille.

Mode de veille rapide

- Appuyez sur le bouton Veille-Arrêt de la télécommande ou sur le bouton de commande de l'écran d'affichage (lorsque l'écran d'accueil est affiché).
- Pour revenir en mode de fonctionnement, appuyez à nouveau sur le bouton.

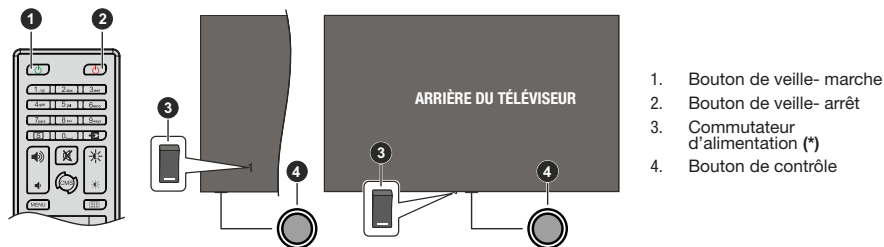
Remarque : Si l'option Mode Marche/Arrêt est activée (mode Standard), l'affichage passe en mode veille lorsque vous maintenez le bouton Veille-Arrêt enfoncé.

Pour accéder au **Mode de mise sous tension**, accédez à **Paramètres d'affichage > Paramètres de signalisation > Paramètres de mise sous tension**.

Pour accéder à la **LED du mode Veille**, accédez à **Paramètres d'affichage > Paramètres système > Plus**.

MISE À L'ARRÊT du téléviseur

Mettez le commutateur d'alimentation de l'écran en position ARRÊT. L'écran s'éteint alors. Pour éteindre complètement l'écran, débranchez le cordon d'alimentation de l'alimentation.



État d'alimentation du Voyant	État de l'affichage
LED DÉSACTIVÉE	Mise sous tension (mode de fonctionnement)
LED ACTIVÉE	Mise hors tension (mode veille, mode veille rapide)
Clignotement du voyant DEL (lent)	Allumer ou ÉTEINDRE
Clignotement du voyant DEL (rapide)	Mise à jour du logiciel

CONFIGURATION INITIALE

Suivez les instructions à l'écran pour configurer votre écran. L'assistant d'installation vous guide tout au long de l'installation.

Remarque : Le dernier écran de l'assistant d'installation sera l'écran en mode OTA, sélectionnez « Désactivé » puis vos paramètres seront enregistrés.

1. Langue

Sélectionnez la langue désirée dans la liste et appuyez sur **OK**.

2. Pays

Sélectionnez votre Pays dans la liste et appuyez sur **OK**.

3. Paramètres de signalisation

Définir l'**ID**, l'**orientation OSD** et les **options du serveur NTP** peuvent être configurés à l'aide de ce menu. Le **nom du modèle**, le **numéro de série**, et la **version du logiciel** sont fournis à titre indicatif uniquement. Enregistrez ces informations sur un périphérique de stockage USB en utilisant **Enregistrer les informations du modèle**. Vous pouvez également copier des fichiers de base de données d'un périphérique de stockage USB vers l'écran à l'aide de **Cloner depuis USB**. Reportez-vous aux **Paramètres de signalisation** pour plus d'informations sur les options de ce menu. Une fois les réglages terminés, sélectionnez **Suivant** et appuyez sur **OK**.

4. Démarrage automatique

Définissez votre préférence de lancement automatique pour l'affichage : **Désactivé**, **HTML5 CMS Launcher**, **Ouvrir le navigateur**, **VsignLite**, **Sélectionner la source**, ou **Sélectionner l'application**. Pour **Sélectionner la source** et **Sélectionner l'application** vous devrez définir la source disponible ou l'application de votre choix. Vous pouvez modifier

vos préférences à tout moment plus tard à l'aide de l'option Démarrage automatique à partir des **Paramètres d'affichage > Paramètres de signalisation > Paramètres de mise sous/hors tension**.

5. Mode de fonctionnement de l'affichage

Pour un fonctionnement normal, réglez l'option **Mode de mise sous/hors tension** sur **Standard**. Réglez sur **Éco** pour un fonctionnement économe en énergie. Remarquez qu'en mode **Éco**, les commandes RS232/LAN ne fonctionnent pas lorsque l'écran est en mode Veille. Vous pouvez également définir vos préférences pour la fonction HDMI Wake Up ici. Reportez-vous à **Paramètres de mise sous tension** pour plus d'informations sur les options de ce menu. Une fois les réglages terminés, sélectionnez **Suivant** et appuyez sur **OK**.

6. Paramètres Réseau/Internet

Configurez les paramètres réseau de votre écran à l'aide des options de ce menu :

Connexion avec fil

Connectez l'écran à un réseau à l'aide d'un câble Ethernet avant de procéder à la connexion filaire. Définissez l'option **Type de Réseau** sur **Appareil Câblé**. Utilisez les options du menu **Paramètres avancés** pour définir manuellement les paramètres IP et DNS. Mettez en surbrillance **Sauvegarder** et appuyez sur **OK** pour enregistrer les paramètres lorsque vous avez terminé. Vous pouvez aussi activer ou désactiver la fonction Mode de Veille en Réseau en réglant cette option en conséquence. Ceci permet à un appareil d'être mis sous tension ou réveillé par un message réseau lorsqu'il est en veille. Reportez-vous à la section **Mode de veille en réseau** pour plus d'informations. Les informations sur l'état de la connexion s'affichent au bas de l'écran.

Connexion sans fil

Définissez l'option **Type de Réseau** à **Appareil sans fil**. Référez-vous à **Réseau et Internet** pour obtenir des informations détaillées sur l'utilisation de ce menu. Une fois les réglages terminés, appuyez sur le bouton **Précédent/Retour** pour revenir à la configuration initiale. Sélectionnez **Suivant** et appuyez sur **OK**.

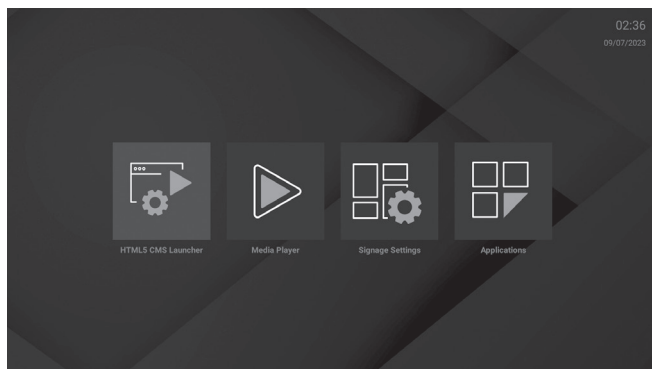
7. Utilisation et diagnostic du fabricant

Il vous sera demandé de donner votre consentement pour la collecte de vos données. Lisez le texte à l'écran pour obtenir des informations détaillées. Mettez en surbrillance **Accepter** et appuyez sur **OK** pour donner votre consentement. Pour **passer** sans donner votre consentement, sélectionnez **Ignorer**. Lorsque la configuration initiale est terminée, l'écran d'accueil s'affiche. Vous pouvez répéter le processus de configuration initiale et réinitialiser les paramètres par défaut de l'affichage à tout moment à l'aide de l'option **Réinitialiser l'affichage** dans le menu **Paramètres d'affichage > Paramètres de signalisation**.

Remarque : Vous êtes invité(e) à saisir le code PIN pour effectuer le réglage initial. Si vous n'avez pas défini de code PIN lors de la configuration initiale, vous pouvez utiliser le code PIN par défaut: 0000.

PARAMÈTRES DU SYSTÈME D'EXPLOITATION

ÉCRAN D'ACCUEIL



Une fois la configuration initiale terminée, l'écran d'accueil s'affiche et comporte quatre options :

1. Lanceur de CMS HTML5
2. Lecteur multimédia
3. Paramètres de signalisation
4. Applications

Remarque : Pour modifier le paramètre **Démarrage** automatique, appuyez sur le bouton « **MENU** » pour accéder à **Paramètres d'affichage > Paramètres de signalisation > Paramètres de mise sous/hors tension**.

Vous pouvez également accéder à l'Écran d'accueil en appuyant sur le bouton **Précédent/Retour** ou **Quitter** pendant le fonctionnement.

HTML5 CMS (Système de gestion de contenu) Launcher

Le lanceur localisera le fichier « index.html » dans le dossier créé pour les fichiers CMS sur le stockage interne de l'écran et l'ouvrira dans le navigateur Web. Pour un fonctionnement sans à-coups du lanceur de CMS, activez l'autorisation de stockage pour le navigateur Vewd :

1. Appuyez sur le bouton **Menu**. Appuyez ensuite sur **3-2-9-1** sur la télécommande pour accéder aux **Paramètres du système d'exploitation**.
2. Sélectionnez **Stockage** dans **Applications > Autorisations d'applications**, sélectionnez **Navigateur Vewd** et appuyez sur **OK** pour activer.
3. Sélectionnez **HTML5 CMS Launcher** à l'Écran d'accueil et appuyez sur **OK**.
4. Installez les nouveaux **fichiers CMS** :
 - a. **URL :**
 1. Accédez à l'URL du fichier, sélectionnez et appuyez sur OK.
 2. Le fichier est automatiquement téléchargé et extrait dans un dossier dédié sur le périphérique de stockage externe du téléviseur.
 - b. **USB :** Assurez-vous que le nom du fichier est « cms.zip. »
 1. Connectez le périphérique de stockage USB à l'écran. Sélectionnez le nom du fichier et appuyez sur OK.
 2. Le fichier est automatiquement téléchargé et extrait ensuite dans un dossier dédié sur le périphérique de stockage externe du téléviseur.

Lecteur multimédia

Sélectionnez le Lecteur multimédia sur l'Écran d'accueil et appuyez sur **OK** ou sur le bouton **Lecteur multimédia** de la télécommande.

Le lecteur multimédia comporte 3 types de médias :

1. **Image**
 - Triez ou regroupez des fichiers, modifiez le style de visualisation, démarrez un diaporama, etc.
 - Lorsque vous lancez le mode Diaporama, toutes les photos du dossier actuel s'affichent en boucle infinie. Appuyez sur le bouton OK ou Précédent/Retour pour quitter le mode diaporama.
2. **Musique**
 - Utilisez les onglets en haut de l'écran pour trier les fichiers.
 - Sélectionnez et appuyez sur OK pour la lecture.
 - Utilisez les boutons de contrôle des médias sur l'écran en cours de lecture pour lire, mélanger, etc.
3. **Vidéo**
 - Sélectionnez Disque local ou un périphérique de stockage USB connecté, sélectionnez un fichier vidéo et appuyez sur OK pour le lire.
 - Utilisez les boutons de la barre d'informations pour la lecture vidéo et pour configurer les paramètres. La barre d'informations sera masquée après un court intervalle. Appuyez sur OK pour la faire réapparaître. Appuyez sur le bouton Précédent/Retour pour arrêter la lecture et retourner à l'écran Lecteur multimédia.

Connexion d'un périphérique USB

IMPORTANT! Sauvegardez les fichiers sur vos périphériques de stockage USB avant de les connecter à l'écran. La responsabilité du fabricant ne saurait être engagée en cas de dommage de fichier ou de perte de données. Certains types de périphériques USB (par ex. lecteurs MP3) ou lecteurs USB peuvent ne pas être compatibles avec cet écran.

Vous pouvez afficher les fichiers sur un périphérique de stockage USB en branchant l'USB sur l'une des entrées USB de l'écran.

Sur l'écran principal du lecteur multimédia, sélectionnez le type de support souhaité. Sélectionnez ensuite un fichier multimédia et appuyez sur le bouton **OK**. Suivez les instructions à l'écran.

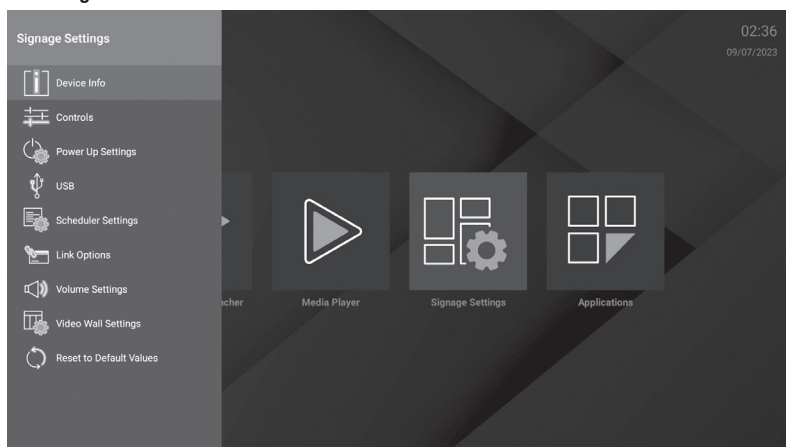
Remarque : Après avoir branché ou débranché une clé USB, laissez plusieurs moments au lecteur multimédia pour lire les fichiers. Utilisez l'option **Supprimer en toute sécurité** dans le menu **Paramètres de signalisation > Périphérique USB** ou l'option **Retirer le périphérique USB** en toute sécurité dans l'application Gestionnaire de fichiers. Le cas échéant, cela peut physiquement endommager le lecteur USB ou le périphérique. Ne débranchez pas le périphérique USB pendant la lecture d'un fichier.

Lecture automatique USB

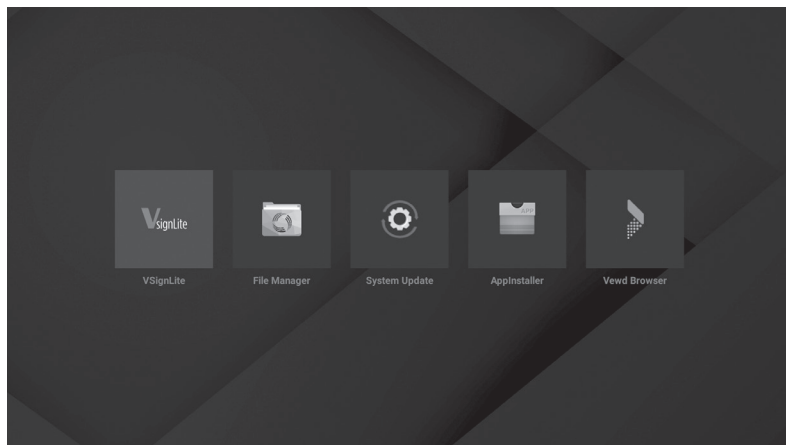
Cette fonction utilise l'application Lecteur multimédia pour lire automatiquement le contenu stocké sur un périphérique amovible. Les images sont lues en premier (par ordre de nom de fichier), les fichiers vidéo en second. Si aucun fichier Image n'est présent, le lecteur multimédia recherche et lit le contenu vidéo. La fonction de lecture automatique USB fonctionne uniquement si :

1. Le périphérique USB est connecté.
2. L'option **Lecture Automatique USB** est activée. Vous pouvez y accéder dans le menu **Paramètres d'affichage > Paramètres du système > Plus**.

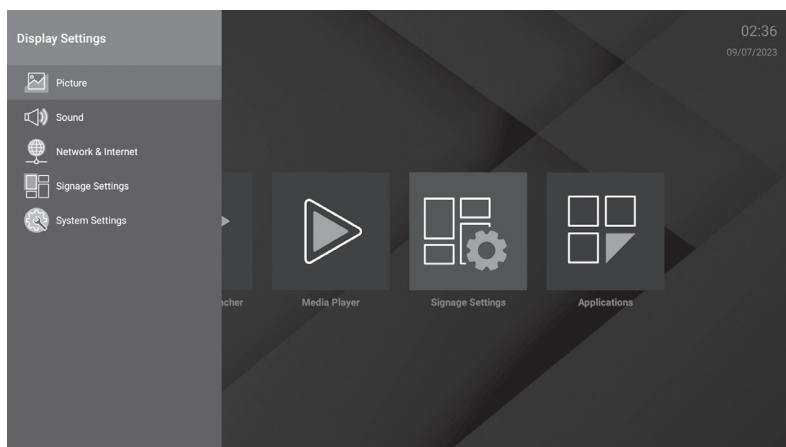
Paramètres de signalisation



Applications



PARAMÈTRES D’AFFICHAGE



Appuyez sur le bouton **Menu** de la télécommande pour accéder aux paramètres et les configurer.

Image

- Réglez les paramètres pour le mode Image, l'économie d'énergie, le contraste, la luminosité, la netteté, la couleur, le rétroéclairage, le rapport d'aspect et les paramètres avancés (contraste dynamique, micro-gradation, modèle de couleur, curseur gamma de température de couleur, etc.)
- Modèle de couleur : Définissez votre préférence de modèle de couleur. **Les options Automatique, RGB, et YUV** sont disponibles.

Son

Réglez les paramètres pour les haut-parleurs, le traitement audio Dolby, la balance, la sortie numérique, AVL, la latence HDMI / ARC, la latence de sortie audio

Réseau & Internet

Activez et désactivez la fonction LAN sans fil et ajustez les paramètres.

- **Réseaux disponibles** : Lorsque la fonction WLAN est activée, les réseaux sans fil disponibles sont répertoriés. Sélectionnez **Voir tout** et appuyez sur **OK** pour voir tous les réseaux. Sélectionnez l'un d'eux et appuyez sur **OK** pour vous connecter. Vous serez invité à saisir le mot de passe. Vous pouvez voir l'état de la connexion sous le nom de votre réseau. Il indiquera « Connecté » si la connexion est réussie. Mettez en surbrillance le réseau auquel votre écran est connecté et appuyez sur **OK** pour voir les informations sur la connexion, telles que l'état de la connexion Internet (comme **Connecté - Non connecté**), et si elle est connectée, les adresses IP/MAC et la force du signal. Vous pouvez également définir un serveur proxy, modifier les paramètres IP à l'aide des options associées et supprimer le profil du réseau sans fil connecté à l'aide de l'option **Oublier le réseau** ici.

Remarque : Les modifications des paramètres IP ne prennent pas effet immédiatement ; elles deviennent actives après le redémarrage de l'affichage.

- **Ajouter un nouveau réseau** : Ajoutez des réseaux avec des SSID masqués (nom du réseau). Vous pouvez vous connecter aux réseaux cachés en saisissant manuellement leurs noms à partir de cette option. Cet article ne sera pas disponible si l'option **Wi-Fi** n'est pas activée. **Mode Veille en réseau** : Ce mode est une norme qui permet à un appareil d'être mis sous tension ou réveillé par un message réseau lorsqu'il est en veille. Mettez en surbrillance et appuyez sur **OK** pour activer et désactiver cette fonction. Reportez-vous à la section **Mode de veille** en réseau pour plus d'informations.
- **Ethernet** : Sous l'option **Ethernet** vous pouvez voir le statut du LAN (**Connecté - Déconnecté**), ainsi que les adresses MAC/IP si le LAN est connecté. Vous pouvez également définir un serveur proxy et modifier les paramètres IP à l'aide des options associées. **Connecté/Non connecté**: Affiche l'état de la connexion (via Ethernet), les adresses IP et MAC.
- **Paramètres du proxy** : Définissez manuellement un proxy HTTP pour le navigateur. Ce proxy ne peut pas être utilisé par d'autres applications.
- **Paramètres IP** : Configurez les paramètres IP de votre écran.

PARAMÈTRES DE SIGNALISATION

1. Informations sur l'appareil

- Affichez et enregistrez les informations sur l'appareil, y compris l'ID de l'appareil, la version du logiciel, le numéro de série, le nom du modèle et la durée de vie de l'affichage.
- Définissez l'ID du périphérique et mettez à jour la version logicielle.

2. Commandes

Affichez et réglez les paramètres pour Endommagement des pixels, Aucun signal, Aucune temporisation de signal, Aucune désactivation du signal, Aucun minuteur de signa, Verrouillage du panneau, Bloquer RCU, UART0 ou UART1 (récepteur/émetteur asynchrone universel)

3. Paramètres de mise sous tension

Comprend les paramètres : Mode de mise sous tension, Mode d'alimentation, Délai de mise sous tension, Démarrage automatique et Activation HDMI activé

4. USB

- **Copier sur le périphérique USB** : Copiez les fichiers de l'écran vers un périphérique USB connecté.
- **Copier à partir du périphérique USB** : Copiez les fichiers d'un périphérique USB connecté sur l'écran.
- **Opérations du périphérique USB** : Sélectionnez et appuyez sur OK pour effectuer des opérations du périphérique USB.
- **Informations relatives au périphérique USB** :
 - Affichez l'utilisation actuelle et l'espace disponible du périphérique USB connecté.
 - Formatez le périphérique USB connecté en utilisant l'option Formater le disque dans ce menu pour étendre la capacité de stockage de votre écran. Après le formatage, l'appareil ne sera utilisable qu'avec l'écran.

- **IMPORTANT** : Le formatage de votre périphérique de stockage USB effacera TOUTES les données qu'il contient et son système de fichiers sera converti en FAT32.
- **Supprimer en toute sécurité** : Retirez le périphérique USB en toute sécurité. Sélectionnez cette option et appuyez sur **OK**. Patientez que le message s'affiche à l'écran. Ensuite, retirez votre périphérique.

5. Paramètres du planificateur

Réglez l'affichage sur Marche et Arrêt automatiquement à des intervalles de temps définis les jours souhaités. Enregistrez jusqu'à quatre programmes différents :

1. **Sélectionnez le plan souhaité** (ou le programme) et appuyez sur le bouton **OK**.
2. **Définissez une heure** à laquelle l'écran s'allumera automatiquement. Sélectionnez **OK** et appuyez sur le bouton **OK** à nouveau lorsque vous avez terminé. Effectuez les mêmes étapes pour régler l'heure à laquelle l'écran va s'arrêter automatiquement.
3. **Définissez les jours** pour l'activation de votre plan. Mettez en surbrillance le(s) jour(s) de la semaine souhaités et appuyez sur **OK** pour sélectionner. Le plan est actif les jours de la semaine sélectionnés.
4. **Définissez une source** pour votre plan. Sélectionnez la source souhaitée et appuyez sur le bouton **OK**.
 - Si vous sélectionnez **Dernière source**, la source d'entrée ne sera pas modifiée lors de la mise sous tension.
 - Si vous sélectionnez **USB**, les fichiers multimédias sur le périphérique USB connecté seront automatiquement lus comme décrit dans la section **Fonction de lecture automatique USB**.

Vous pouvez également choisir **Sélectionner une application**. Sélectionnez l'application de votre choix et appuyez sur **OK** pour la sélectionner.

Vous pouvez également définir des valeurs d'activation et de désactivation du rétroéclairage pour votre plan. Ces valeurs seront utilisées pour régler le rétro-éclairage de l'écran au début et à la fin du plan. Si l'option source est définie sur **Dernière source**, les paramètres de rétroéclairage seront appliqués à toutes les sources ; sinon, les paramètres seront appliqués à la source sélectionnée uniquement.

Utilisez **Activer le plan** pour activer ou désactiver le plan (ou le programme) actuel. Lorsque le plan est activé, l'option **Enregistrer** apparaît sur l'écran de paramétrage du plan. Sélectionnez et appuyez sur **OK** pour enregistrer les paramètres.

6. Options de Liaison

Pour modifier les URL de démarrage et de configuration :

1. Créez un fichier nommé « starturl.txt » ou « settingsurl.txt » dans le répertoire racine de n'importe quel périphérique de stockage USB. Assurez-vous que l'extension du fichier soit « txt ».
2. Ouvrez ce fichier avec un programme d'édition de textes comme Notepad.
3. Écrivez l'URL désirée (par exemple, www.starturl.com) dans le fichier et enregistrez les modifications.
4. Connectez le périphérique de stockage USB à l'écran. Sélectionnez **Fonctionnement du périphérique USB** dans le menu **Paramètres d'affichage > Paramètres de signalisation > Périphérique USB** et appuyez sur **OK**.
5. Définissez l'option Démarrage automatique dans le menu Paramètres d'affichage > Paramètres de signalisation > Paramètres de mise sous tension sur **HTML5 CMS Launcher**.

Remarque : Vous pouvez vérifier si l'URL de démarrage ou l'URL de paramétrage comporte le lien choisi à partir du menu **Paramètres d'affichage > Signalisation > Options de liaison**.

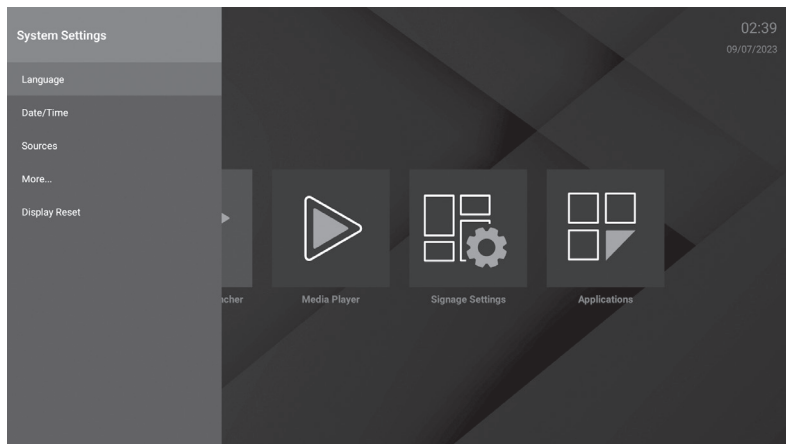
7. Paramètres de volume

Réglez les paramètres de volume, y compris les limites de volume et les valeurs fixes pour l'affichage et les périphériques audio connectés.

8. Réinitialiser aux valeurs par défaut/Réinitialiser l'affichage

Sélectionnez cette option et appuyez sur le bouton **OK** pour rétablir les paramètres par défaut du menu de signalisation.

PARAMÈTRES DU SYSTÈME



1. Langue

2. Date/Heure

Horloge en Temps Réel (RTC)

- Utilisé pour maintenir les informations de date et d'heure réelles pendant une période de temps si l'alimentation en énergie est interrompue en séparant l'affichage de l'alimentation électrique ou par une panne de courant. Dans ce cas, le téléviseur utilise les informations de date et d'heure enregistrées dans RTC.
- Toutes les sources de synchronisation peuvent ignorer la date et l'heure de RTC.
- Le téléviseur essaie de se connecter provisoirement au **serveur NTP** (6 heures après la dernière mise à jour) pour obtenir les informations sur la date et l'heure actuelles. Si l'affichage obtient avec succès ces informations du
- serveur NTP, il se met à jour, ainsi que la RTC avec les informations de date et d'heure reçues. Si la mise à jour du serveur NTP échoue, l'écran utilise l'heure et la date de la RTC pour se mettre à jour.
- La batterie de la RTC alimente l'horloge à temps réel intégrée et le calendrier en énergie électrique. Sans source d'alimentation externe, la RTC peut fonctionner pendant au moins 14 jours.
- Si la RTC est utilisée comme source de synchronisation, le réglage manuel de la date et de l'heure est activé à partir de l'option **Date/Heure** dans le menu **Paramètres d'affichage > Paramètres du système**.

3. Sources

Activez, améliorez ou désactivez les options de source sélectionnées.

Pour garantir une résolution 4K à partir d'une source connectée HDMI :

- Compatible HDMI 2.0 : réglé sur Amélioré
- Compatible HDMI 1.4 : réglé sur Activer

4. Plus....

Comprend le test de vitesse Internet, le délai d'attente du menu, la LED en mode veille, la mise à niveau logicielle et automatique, le pays, l'affichage automatique désactivé, la mise sous tension automatique CEC et CEC et la lecture automatique USB

• **Serveurs intermédiaires CEC et CEC RC :**

Permet de contrôler les appareils compatibles **CEC**, qui sont connectés via des ports HDMI à l'aide de la télécommande de l'écran.

L'option **CEC** dans le menu **Paramètres d'affichage > Paramètres du Système > Plus** doit d'abord être réglée sur **Activé**. Appuyez sur le bouton **Source** et sélectionnez l'entrée HDMI du périphérique CEC connecté à partir du menu Source. Si un nouveau périphérique source CEC est connecté, il s'affiche dans le menu Sources avec son propre nom, au lieu du nom des ports HDMI connectés (lecteur DVD, enregistreur 1, etc.).

La télécommande peut automatiquement fonctionner après avoir sélectionné la source HDMI connectée. Pour mettre fin à cette opération, contrôler l'écran à partir de la télécommande, appuyez et maintenez le bouton « 0-Zero » sur la télécommande pendant 3 secondes.

Pour désactiver la fonctionnalité CEC, accédez au menu **Paramètres d'affichage > Paramètres système > Plus** en conséquence.

Le téléviseur prend également en charge la fonction **ARC** (Audio Return Channel). Cette fonction est un lien audio qui permet de remplacer d'autres câbles entre l'Écran et un système audio (récepteur A/V ou système stéréo).

Une fois la fonction activée, l'écran ne mute pas automatiquement les autres sorties audio. Vous devrez réduire manuellement le volume de l'écran à zéro si vous souhaitez écouter uniquement le son ARC (pareil pour les sorties audio numériques optiques ou coaxiales, la disponibilité dépend du modèle). Si vous souhaitez modifier le volume du périphérique connecté, sélectionnez le périphérique à partir de la liste des sources. Dans ce cas, les touches de contrôle du volume s'orientent vers le périphérique audio connecté.

- **Commande audio système :** Permet d'utiliser l'option Amplificateur/récepteur audio avec le téléviseur. Vous pouvez régler le volume à l'aide de la télécommande de votre téléviseur. Pour activer cette fonction, définissez l'option **Haut-parleurs** du menu **Paramètres d'affichage > Son sur Système audio externe**. Les haut-parleurs du téléviseur sont désactivés et le son de la source visionnée proviendra du système audio connecté.

Remarque : Le périphérique audio devrait prendre en charge la fonction de Contrôle du Système Audio et l'option **CEC** doit être réglée sur **Activé**.

- **Réinitialisation de l'affichage**

RACCOURCI VERS LES PARAMÈTRES

Certains paramètres d'affichage peuvent également être configurés via le menu **Paramètres** masqué. Pour y accéder, appuyez sur le bouton **Menu**, puis sur les boutons **3-2-9-1** consécutivement.

- **Réseau et Internet :** Configurez les paramètres réseau de l'écran, reportez-vous au menu Paramètres d'affichage pour plus d'informations.
- **Applications :** Gère les applications sur votre écran.
- **Applications ouvertes récemment**

Sélectionnez **Voir toutes les applications** et appuyez sur **OK** pour voir toutes les applications installées sur votre téléviseur. La quantité d'espace de stockage nécessaire sera également affichée. Vous pouvez voir la version de l'application, ouvrir ou forcer pour arrêter l'exécution de l'application, désinstaller une application téléchargée, voir les permissions et les activer/désactiver, activer/désactiver les notifications, effacer les données et le cache etc. Mettez une application en surbrillance et appuyez sur **OK** pour afficher les options disponibles.

- **Autorisations**
- Autorisations d'applications : Les applications seront triées par catégories de type d'autorisation. Vous pouvez activer la désactivation des permissions pour les applications à partir de ces catégories.

Accès spécifiques des applications : Configurez certaines fonctions et autorisations spéciales de l'application.

- **Préférences de l'appareil :** Dans ce menu vous pouvez vérifier les mises à jour du système, modifier le nom de l'appareil, redémarrer le téléviseur et consulter des informations système telles que les adresses réseaux, les numéros de série, les versions, etc.
- **Date/Heure :** Réglez votre affichage pour mettre à jour automatiquement les données d'heure et de date sur le réseau. Désactivez cette option en réglant sur Désactiver si vous souhaitez modifier la date et l'heure manuellement. Réglez ensuite les options de date, d'heure, de fuseau horaire et de format d'heure.
- **Clavier :** Sélectionnez le type de clavier, configurez les préférences de modes de saisie par la télécommande et gérez les paramètres de clavier.
- **Son**

Sons du Système : Le son système est le son émis lors de la navigation ou de la sélection d'un élément sur l'écran Affichage. Mettez en surbrillance et appuyez sur **OK** pour activer ou désactiver cette fonction.

Son Surround permet de sélectionner vos préférences pour les fonctionnalités de son surround. **Pour sélectionner les formats**, sélectionnez et appuyez sur **OK**. Les options **Auto**, **Aucun** et **Manuel** sont disponibles. Mettez en surbrillance l'option que vous préférez et appuyez sur **OK** pour la définir.

- **Stockage :** Affichez l'état de l'espace de stockage total de l'écran et des appareils connectés s'il est disponible. Pour obtenir des informations détaillées sur les détails d'utilisation, mettez en surbrillance et appuyez sur **OK**. Profitez également des options pour éjecter et configurer les appareils de stockage USB connectés en tant que périphériques de stockage.

Transférer les données vers cet espace de stockage: Cette option s'affiche si vous avez préalablement formaté votre périphérique de stockage USB en tant que périphérique de stockage. Vous pouvez utiliser cette option pour migrer certaines des données stockées sur votre écran vers votre périphérique de stockage USB.

REMARQUE : Si vous déplacez des données vers votre périphérique de stockage USB, vous devrez peut-être brancher votre périphérique de stockage pour utiliser toutes vos applications et autres contenus.

Éjecter : Pour préserver la sécurité de votre contenu, éjectez votre périphérique de stockage USB avant de le débrancher du téléviseur.

Effacer et formater (configurer) en tant que périphérique de stockage : Utilisez le périphérique de stockage USB connecté pour étendre la capacité de stockage de votre téléviseur. Après avoir fait cela, cet appareil ne sera utilisable qu'avec le téléviseur. Suivez les instructions à l'écran et lisez les informations affichées à l'écran avant de poursuivre.

REMARQUE : Le formatage du périphérique de stockage effacera toutes les données qui s'y trouvent. Sauvegardez les fichiers que vous souhaitez conserver avant de procéder au formatage de l'appareil.

Effacer et formater (configurer) en tant que périphérique de stockage amovible : Si vous n'avez pas formaté votre périphérique de stockage USB en tant que périphérique de stockage, il ne sera utilisable qu'avec votre téléviseur.

Utilisez cette option pour le formater à nouveau pour l'utiliser avec d'autres appareils. Avant de procéder au formatage, vous pouvez envisager de sauvegarder les données de votre appareil sur le stockage interne du téléviseur ou sur un autre périphérique de stockage USB via l'option **Sauvegarder les applications**. Si vous ne le faites pas, certaines applications risquent de ne pas fonctionner correctement après le formatage. Suivez les instructions à l'écran et lisez les informations affichées à l'écran avant de poursuivre.

Remarque : Le formatage du périphérique de stockage effacera toutes les données qui s'y trouvent. Sauvegardez les fichiers que vous souhaitez conserver avant de procéder au formatage de l'appareil.

- **Écran de veille :** Sélectionnez un économiseur d'écran, réglez le délai d'attente de ce dernier, réglez l'heure à laquelle le téléviseur passe en mode veille ou démarre le mode économiseur d'écran.
- **Localisation :** Vous pouvez autoriser l'utilisation de la connexion sans fil pour estimer l'emplacement, voir les demandes de localisation récentes et autoriser ou restreindre l'utilisation des informations de localisation par les applications listées.
- **Sécurité et restrictions :**

- Permet d'autoriser ou de limiter l'installation d'applications à partir de sources autres que Google Play Store.
- Régler l'écran de manière à interdire ou avertir avant l'installation d'applications qui pourraient causer des dommages.
- **Accessibilité** : Configurez les paramètres Sous-titres, Synthèse vocale, Raccourci d'accessibilité et/ou activez/désactivez le Texte à -contraste élevé. Certains réglages de légende ne seront pas appliqués.
- **Réinitialisation** : Réinitialiser tous les paramètres d'affichage aux valeurs par défaut. Mettez en surbrillance Réinitialiser et appuyez sur OK. Ensuite, sélectionnez Réinitialiser pour procéder à la réinitialisation. L'écran s'éteindra/s'allumera d'abord et la configuration initiale commencera. Sélectionnez Annuler pour quitter.
- **Télécommandes et accessoires Bluetooth**
Utilisez des accessoires sans fil, tels que des télécommandes, des casques, des claviers ou des contrôleurs de jeu avec votre écran. Renvoie au menu **Paramètres de signalisation**.

Si l'option **Bluetooth** du menu **Paramètres d'affichage > Paramètres de signalisation > Contrôles** est désactivée, cette option ne sera pas disponible.

APPLICATIONS

Accédez aux applications installées sur votre écran. L'écran d'accueil s'affiche si l'option **Démarrage automatique** (**Paramètres d'affichage > Paramètres de signalisation > Paramètres de mise sous tension**) est définie sur **Désactivé**. Appuyez sur le bouton **Précédent/Retour** ou **Quitter** pour afficher ou revenir à l'Écran d'accueil. Sélectionnez le menu **Applications** et appuyez sur **OK**, puis sélectionnez une application et appuyez sur **OK** pour l'ouvrir.

Remarque : Il est possible que des problèmes liés à l'application soient causés par le contenu fourni par le prestataire de service. Les services internet tiers peuvent être discontinus ou restreints à tout moment.

APPLICATIONS INTÉGRÉES

VSignLite

VSignLite est une application de signalétique qui fonctionne sans CMS et est gérée par le téléviseur. Cette option est intégrée dans le logiciel du téléviseur.

1. Configuration

Spécifications d'application

Exigences	
Plate-forme d'Affichage	MB450VS
Version du Micrologiciel	v7.42 et versions supérieures
Options de Langue	Anglais, Turc, Français, Espagnol
Exigences en Matière de Matériel	USB

Comment est-il ouvert ?

Pendant la configuration du téléviseur, l'option Démarrage automatique doit être réglée sur VsignLite. À chaque redémarrage de l'affichage, l'application s'ouvrira. Il est possible de modifier ce réglage à l'aide de l'option Démarrage automatique dans le menu Paramètres d'affichage > Paramètres de signalisation > Paramètres de mise sous/hors tension. Vous pouvez également lancer l'application à partir du menu Applications dans l'écran d'accueil.

2. Affichage de l'application VSign

L'application VSign Lite se compose de trois parties principales : Lecteur, Programme et Modèle. Il existe également une section Paramètres d'importation / exportation pour la sauvegarde / exportation des paramètres de l'application.

Lecteur

Afficher, effacer, lire, filtrer, trier ou transférer des fichiers sur un périphérique de stockage USB connecté ou le stockage interne de l'écran, ainsi que les canaux de lecture créés dans l'application.

2.0.1. Gestion des Fichiers

Sélectionnez n'importe quel fichier et appuyez sur le bouton OK pour ouvrir le menu de gestion des fichiers : Lire, Sélectionner, Envoyer et Supprimer

2.0.2. Mode Sélection multiple

Le mode de sélection multiple est activé en appuyant sur le bouton OK de l'option Sélectionner du menu de gestion des fichiers. Sélectionnez ensuite les fichiers que vous voulez sélectionner avec le bouton OK et annulez les fichiers sélectionnés. Au cours de ce processus, vous pouvez aller dans différents dossiers et y sélectionner les fichiers

Les options ci-dessous sont disponibles en mode multi-sélection : Sélectionner tout, Effacer tout, Lire tout lire, Envoyer tout, Annuler et Programmer. En utilisant l'écran Programme, un canal peut être créé, des programmes peuvent être créés dans la chaîne, ils peuvent être visualisés et édités. Le nombre de chaînes est limité à quatre.

Programme

2.0.1. Ajouter Chaîne/Programme

Sélectionnez une zone vide ou occupée dans le programme et appuyez sur le bouton **OK**.

- Si vous sélectionnez Ajouter les chaînes, un nouveau canal sera créé et l'écran apparaîtra pour créer notre premier programme.
- Si un espace vide est sélectionné dans un canal précédemment créé, le nouveau programme est ajouté à la chaîne. Si la zone occupée est sélectionnée dans un canal précédemment créé, le programme sélectionné sera édité

2.0.1.1 Champs d'entrée de l'écran Édition des chaînes/ programmes

- Sélectionnez, Sélectionner plusieurs fois et Ajouter ou Supprimer du contenu.
- **Heure de début** : Heure de début du programme.
- **Heure de fin** : Heure de fin du programme.
- **Nom de la chaîne** : Le nom de la chaîne dans laquelle le programme est inclus.
- **Stockage** : Le périphérique de stockage dans lequel la chaîne est enregistrée.

2.0.2. Fichiers pris en charge

L'application prend en charge les formats énumérés ci-dessous:

Vidéo : mp4, mpeg, avi, mov, webm, ts, mpg, m4a, mkv

Image : jpg, jpeg, png, bmp

Modèle

Cet écran affiche les modèles prédéfinis que l'utilisateur se prépare à utiliser. Les modèles créés par l'utilisateur sont conservés dans le dossier **Mes Modèles**.

2.0.1. Création des modèles

Faites défiler jusqu'aux modèles précédemment définis et appuyez sur **OK**. Il est possible de prévisualiser le modèle à l'aide du bouton **Prévisualiser** à droite de l'écran. Enregistrez les modèles à l'aide du bouton **Enregistrer**.

2.0.1.1. Ajouter du contenu aux Champs d'entrée des modèles

Durée du modèle : La durée pendant laquelle le modèle sera affiché dans un cycle de programme.

Durée du contenu : Spécifie la durée pendant laquelle un contenu sera affiché dans la zone sélectionnée via le modèle.

Nom du modèle : Indiquez le nom du modèle.

Rapport d'aspect : Si la zone du modèle accepte l'image, ce paramètre détermine si le rapport d'aspect de l'image est **maintenu** ou modifié pour remplir la zone.

Audio : S'il y a un champ qui accepte la vidéo dans le modèle, il détermine si la vidéo sonnera ou non.

Importer/Exporter des paramètres

Ce menu permet de transférer les paramètres d'affichage vers un autre écran.

Gestionnaire de fichiers

Permet d'afficher et de gérer les fichiers stockés dans la mémoire interne et externe.

Mise à jour du système

Utilisé pour mettre à niveau le logiciel. L'écran doit être connecté à Internet. Vous pouvez utiliser l'option Vérifier la mise à jour pour voir si une mise à jour est disponible.

Installer des applications

Utilisé pour installer des applications. Il trouve et répertorie les fichiers apk dans la mémoire interne et externe. Pour installer une application, sélectionnez le fichier apk et appuyez sur OK. Pour en savoir plus, consultez la section Applications tierces.

Vewd Browser

Lancez l'application **Vewd Browser**. Dans l'écran initial du navigateur, les aperçus des liens prédéfinis (le cas échéant) d'accès aux sites web disponibles s'affichent sous la forme des options Raccourcis, ainsi que des options Modifier raccourcis et Ajouter à la liste des raccourcis. Vous pouvez appuyer sur le bouton **Internet** de la télécommande pour ouvrir Vewd Browser. Si le lien de la **Page initiale d'ouverture du navigateur** est défini dans le menu **Paramètres d'affichage > Paramètres de signalisation > Options de liaison**, le navigateur s'ouvre sur cette page.

Pour défiler le navigateur web, utilisez les touches de direction de la télécommande ou d'une souris connectée. Pour visualiser la barre d'options du navigateur, placez le curseur en haut de la page. **Les options Historique, Onglets et Signets** et la barre du navigateur contenant les boutons Précédent/Suivant, Actualiser, la barre d'adresse/de recherche, le microphone (non fonctionnel), **Raccourci** et **Vewd** sont disponibles.

Pour ajouter un site Web souhaité à la liste de **Raccourcis** pour accès rapide, placez le curseur en haut de la page. La barre du navigateur apparaît. Sélectionnez le bouton Raccourci et appuyez sur le bouton **OK**. Ensuite, sélectionnez l'option **Ajouter à la liste des raccourcis** et appuyez sur le bouton **OK**. Remplissez les espaces vides en inscrivant votre **Nom** et **Adresse**, sélectionnez **OK** et appuyez sur le bouton **OK** pour ajouter. Si vous naviguez sur le site et souhaitez ajouter un élément à la liste de Raccourcis, sélectionnez le bouton **Vewd** et appuyez sur le bouton **OK**. Ensuite, sélectionnez l'option **Ajouter à la liste de raccourcis** dans le sous-menu et appuyez à nouveau sur le bouton **OK**. **Le remplissage de votre nom et de votre adresse** est automatique en fonction du site que vous visitez. Sélectionnez **OK** et appuyez sur le bouton **OK** pour ajouter. Vous pouvez également utiliser les options du menu **Vewd** pour gérer le navigateur. Mettez en surbrillance le bouton Vewd et appuyez sur le bouton **OK** pour afficher les options spécifiques et générales disponibles de page.

Il existe plusieurs façons de chercher ou de visiter des sites Internet à l'aide de votre navigateur Web:

- Entrez l'adresse du site Web (URL) dans la barre de recherche/d'adresse et sélectionnez le bouton Accéder sur le clavier virtuel, puis appuyez sur le bouton **OK** pour visiter le site.
- Entrez le(s) mot(s) clé dans la barre de recherche/d'adresse et sélectionnez le bouton Accéder sur le clavier virtuel et appuyez sur le bouton **OK** pour lancer une recherche dans les sites Web sollicités.
- Sélectionnez un onglet des raccourcis et appuyez sur le bouton **OK** pour visiter le site Web souhaité.

Votre TV est compatible avec des claviers/souris USB. Branchez votre périphérique à l'entrée USB de votre écran pour une navigation plus facile et plus rapide.

Certaines pages Internet contiennent des contenus flash. Ces pages ne sont pas prises en charge par le navigateur.

Votre téléviseur ne prend en charge aucun téléchargement sur Internet à partir du navigateur. Tous les sites Internet pourraient ne pas être pris en charge. Des problèmes de contenu pourraient survenir en fonction du site. Dans certains cas, le contenu vidéo peut ne pas être compatible.

APPLICATIONS TIERCES

Installation d'une application tierce :

1. Copiez le fichier avec l'extension « .apk » sur un périphérique de stockage USB formaté FAT.

2. Connectez le périphérique de stockage USB à l'une des entrées USB de l'écran.
3. Lancez l'application ApplInstaller à partir du menu Applications à l'Écran d'accueil. Sélectionnez le périphérique de stockage USB connecté et appuyez sur OK.
4. Sélectionnez le fichier souhaité et appuyez sur OK. Sélectionnez INSTALLER et appuyez à nouveau sur OK.
5. Accédez aux applications installées à partir du menu Applications de l'écran d'accueil.

Remarque : La prise en charge d'applications tierces est restreinte. Certaines fonctions de l'application ou son lancement peuvent être affectés comme n'étant pas codés.

CONNECTIVITÉ

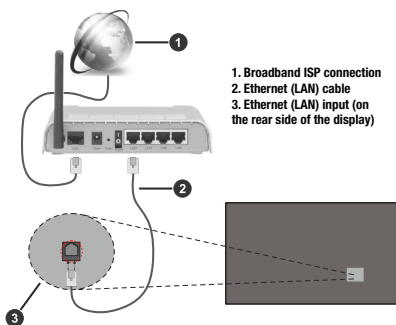
Pour configurer les paramètres filaires et sans fil, vous devez accéder au menu **Paramètres d'affichage > Réseau et Internet**. Appuyez sur le bouton Menu de la télécommande pour afficher le menu **Paramètres d'affichage**.

RÉSEAU CÂBLÉ

Utilisez un câble Ethernet pour connecter l'écran à un modem/routeur via le port Ethernet à l'arrière de l'écran. Consultez la section **Panneau et ports** page 50, pour connaître l'emplacement du port Ethernet.

Dans le menu **Réseau et Internet**, l'état **Ethernet** indique Connecté et les adresses MAC et IP s'affichent. Vous pouvez également définir un serveur proxy et modifier les paramètres IP à l'aide des options associées.

Remarque : Les modifications des paramètres IP ne prennent pas effet immédiatement ; elles deviennent actives après le redémarrage de l'affichage.



RÉSEAUX SANS FIL

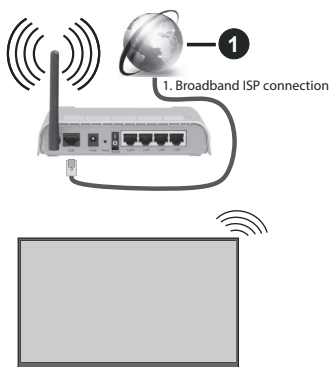
Un modem/routeur LAN sans fil est nécessaire pour connecter l'écran à Internet via un réseau sans fil. Si le téléviseur est connecté à un réseau câblé, débranchez le câble Ethernet pour qu'il se connecte à un réseau sans fil.

Mettez en évidence l'option **Wi-Fi** dans le menu **Réseau et Internet** et appuyez sur **OK** pour allumer le WLAN. **Les réseaux disponibles** seront répertoriés. Sélectionnez l'un d'eux et appuyez sur **OK** pour vous connecter. Vous pouvez être invité à entrer un mot de passe pour vous connecter au réseau sélectionné.

Si la connexion réussit, vous lirez Connecté sous le nom du réseau. Sélectionnez le réseau sous **Réseaux disponibles** dans le menu **Réseau et Internet** et appuyez sur OK pour afficher des informations détaillées, telles que les adresses MAC et IP. Ici, vous pouvez également accéder à des paramètres avancés tels que les paramètres proxy et IP ou sélectionner **Oublier le réseau** pour supprimer le profil du réseau sans fil et empêcher l'affichage de se connecter automatiquement à ce réseau.

Remarque : Les modifications des paramètres IP ne prennent pas effet immédiatement ; elles deviennent actives après le redémarrage de l'affichage.

Un réseau avec un SSID masqué (nom du réseau) ne peut pas être détecté par d'autres appareils. Si vous souhaitez vous connecter à un réseau avec un Réseau masqué, sélectionnez l'option Ajouter un nouveau



réseau sous Autres options et appuyez sur OK. Pour connecter le téléviseur à un réseau, entrez le nom du réseau, sélectionnez le type de sécurité, puis entrez le mot de passe si vous y êtes invité. Vous pouvez également rendre le nom du réseau visible en modifiant les paramètres à partir du logiciel du modem. Un routeur sans fil-N (IEEE 802.11a/b/g/n/ac) avec des bandes simultanées de 2,4 et 5 GHz est conçu pour augmenter la bande. Ceux-ci sont optimisés pour un streaming vidéo HD plus fluide et plus rapide, des transferts de fichiers et des jeux sans fil.

La fréquence et le canal diffèrent selon la région.

La vitesse de transmission varie selon la distance et le nombre d'obstructions entre les produits de la transmission, la configuration de ces produits, l'état des ondes radio, la bande et les produits utilisés. La transmission peut également être coupée ou être déconnectée selon l'état des ondes radio, des téléphones DECT ou de tout autre appareil WLAN 11b. Les valeurs standard de la vitesse de transmission sont les valeurs maximales théoriques pour les normes des appareils sans fil. Elles ne sont pas les vitesses réelles de la transmission des données.

L'endroit où la transmission est le plus efficace varie en fonction de l'environnement d'utilisation.

La fonction sans fil du téléviseur prend en charge les modems de type 802.11 a, b, g, n AC. Nous vous recommandons vivement d'utiliser le protocole de communication IEEE 802.11n pour éviter d'éventuels problèmes lorsque vous regardez des vidéos.

Pour éviter d'éventuels problèmes de connectivité, changez le SSID de votre modem s'il y a d'autres modems à proximité avec le même SSID. Utilisez une connexion avec fil si vous avez des problèmes avec votre connexion sans fil. Une vitesse de connexion stable est nécessaire pour lire le contenu en ligne. Utilisez une connexion Ethernet si la vitesse du réseau local sans fil est instable.

Remarque : Le système d'exploitation ne permet qu'une seule connexion réseau à la fois. Si l'écran est connecté au réseau à la fois sans fil et via Ethernet (filaire), la connexion Ethernet sera prioritaire. Débranchez le câble Ethernet pour autoriser la connexion sans fil.

MODE VEILLE EN RÉSEAU

Le mode Veille en réseau est une norme qui permet à un appareil d'être mis sous tension ou réveillé par un message réseau (paquet magique). Ce message est envoyé à l'appareil par un programme exécuté sur un appareil à distance, notamment un smartphone, connecté au même réseau local. Pour activer cette fonctionnalité, activez l'option **Mode veille en réseau** dans le menu **Réseau et Internet** et l'option **Mode d'alimentation** dans le menu **Paramètres d'affichage > Paramètres de signalisation > Paramètres de mise sous tension (Mode d'alimentation - Standard)**. Il est nécessaire que l'affichage et le périphérique à partir duquel le message réseau sera envoyé soient connectés au même réseau et que tous les points d'accès prennent en charge le paquet magique.

Vous pouvez utiliser n'importe quel logiciel en Mode veille en réseau disponible pour le système d'exploitation de votre appareil afin d'envoyer des paquets magiques. Pour utiliser cette fonction, l'écran et le périphérique doivent être connectés au moins une fois lorsque l'écran est allumé. Si l'écran est éteint, la connexion doit être rétablie au prochain allumage. (Ceci n'est pas valable lorsque l'écran est en veille.)

Comment contrôler une fonctionnalité

- Activez le Mode veille en réseau dans le menu Réseau et Internet.
- Connecter l'écran et le périphérique au même réseau.
- Obtenez l'adresse MAC de votre écran (reportez-vous à la **page 75** pour savoir comment obtenir l'adresse MAC).
- Faites basculer l'écran en mode Veille.
- Envoyez des paquets magiques à l'adresse MAC de votre écran à l'aide d'un téléphone portable, d'un ordinateur Linux ou Windows. Votre écran devrait s'activer après avoir reçu des paquets magiques.

CONTRÔLE À PARTIR D'UN ORDINATEUR PORTABLE

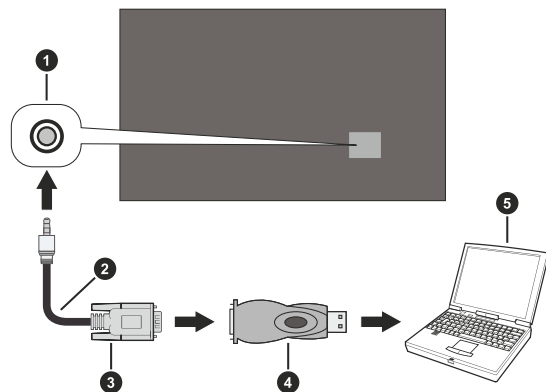
Vous pouvez contrôler l'affichage depuis un PC externe via le RS-232 (port COM) ou le LAN (port Ethernet) connecté à l'ordinateur portable.

Équipement requis

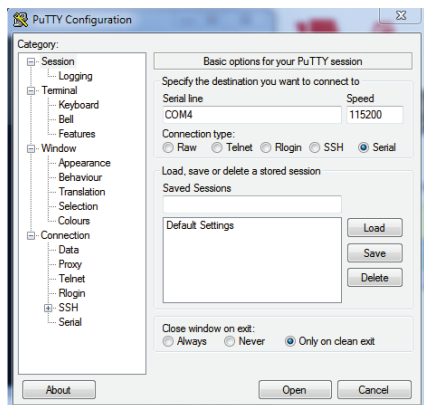
- Câble RS-232 (3,5 mm) vers RS-232 (mâle) ou câble LAN (connecté via un routeur)
- Adaptateur USB vers RS-232 (femelle)
- Ordinateur portable avec port USB ou LAN
- Programme installé sur l'ordinateur distant pour l'envoi des commandes

En général, les commandes sont envoyées pour faire fonctionner les fonctions mises en œuvre via le port série ou LAN et l'utilitaire. Vous pouvez utiliser un utilitaire approprié comme indiqué ci-dessous.

Connexion RS-232

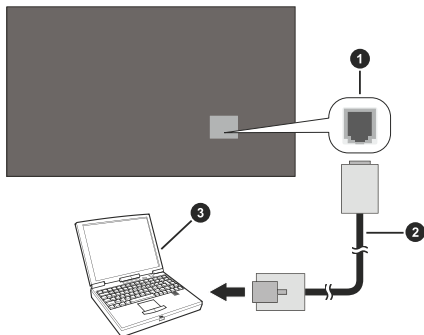


1. Prise d'entrée RS-232 (3,5 mm)
2. Câble série RS-232 à 3,5 mm (disponible dans le commerce)
3. Au port COM
4. Adaptateur RS-232 vers USB
5. Ordinateur portable



- Exécutez le logiciel et sélectionnez **Série comme Type de connexion**. Entrez le port série du téléviseur dans le champ **Ligne série** (dans l'exemple suivant, il s'agit de COM4) et « 115200 » dans le champ **Débit**. Puis, cliquez sur le bouton **Ouvrir**.

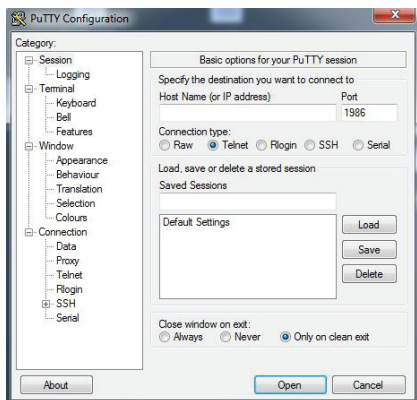
Connexion LAN



1. Port Ethernet
2. Câble Ethernet
3. Ordinateur portable

Exécutez le logiciel et entrez l'adresse IP de l'écran dans le champ **Nom d'hôte**. Entrez « 1986 » comme valeur par défaut dans le champ **Port**. Ensuite, sélectionnez **Telnet** comme **Type de connexion** et cliquez sur le bouton **Ouvrir**.

Remarque : Consultez la section **Connectivité** de ce manuel pour obtenir les informations relatives au branchement de l'écran au réseau et à l'affichage de l'adresse IP de l'écran.



CONTRÔLER AVEC UN FIRE STICK AMAZON

1. Accédez à Amazon Fire Stick Network, à l'écran et dans le menu Audio.
2. Sélectionnez Contrôle des équipements.
3. Sélectionnez Gérer l'équipement.
4. Sélectionnez TV puis Modifier le TV.
5. Suivez les instructions à l'écran et choisissez Marque non répertoriée.

COMMANDES HEX RS232

Étapes du test de protocole

- Avant le test, vérifiez le type de carte conformément aux descriptions ci-dessous :
 1. RJ12 est connecté à UART 0, tandis que DSUB9 est connecté à UART 1 — UART 0 et UART 1 peuvent être testés séparément.

2. RJ12 et DSUB9 sont tous deux connectés à UART 0, tandis que UART 1 est pris en charge pour le module OPS mais n'est pas accessible — seul UART 0 peut être testé.

• Activent le protocole HEX sur le moniteur :

1. Accédez à **Paramètres d'affichage > Paramètres de signalisation > Commandes**

2. Remplacez l'option **ASCII** par **HEX** dans le sous-menu **UART0** ou **UART1**

Ouvrez n'importe quel programme de communication de port série (par exemple Realterm) et configurez les paramètres de communication série comme suit :

Débit en Bauds : 19 200 pour UART 0, 9 600 pour UART 1

Parité : Aucun

Bits de données : 8

Bit d'arrêt : 1

Liaison : Aucun

Notez que la valeur par défaut de **UART0** est la **valeur par défaut ASCII**, **UART1** : **HEX**

Dans les tableaux suivants, XY représente les valeurs en octet variables. Toutes les valeurs en octet sont hexadécimales.

Messages d'erreur

• **Accusé de réception négatif : 15** Lorsque le téléviseur ne peut pas décoder la commande qu'il reçoit, il vous envoie cette valeur. Vérifiez le code d'envoi et renvoyez la commande.

• **Message d'erreur : 1C 00 00** Lorsque pour une quelconque raison, le téléviseur ne peut pas exécuter la commande reçue, il vous envoie cette valeur. Vérifiez le code d'envoi et l'état de configuration de l'écran.

Commande reçue par l'écran														Réponse de l'écran en cas de succès de l'opération			Remarques	
Nombre d'octets		0	1	2	3	4	5	6	7	8	9	10	11	12	0	1		2
		Entête						Données										
		Code de l'entête		Paquet	Taille des données		Drapeau CRC	Action		Type		Code de réglage						
Nom	Opération	L	H		L	H	L	H	L	H	L	H	L	H				
Moniteur	Activé	BE	EF	03	06	00	19	D3	02	00	00	60	02	00	06			Le mode de mise sous/hors tension (mise en veille rapide) doit être activé pour pouvoir allumer le téléviseur avec cette commande.
	DÉSACTIVÉ	BE	EF	03	06	00	19	D3	02	00	00	60	01	00	06			
	RECUEILLIR	BE	EF	03	06	00	19	D8	03	00	00	60	07	00	1D	00	XY	
Muet	Activé	BE	EF	03	06	00	D6	D2	01	00	02	20	01	00	06			XY peut être 00 ou 01. 00 renvoie à DÉSACTIVÉ, 01 renvoie à ACTIVÉ.
	DÉSACTIVÉ	BE	EF	03	06	00	46	D3	01	00	02	20	00	00	06			
	RECUEILLIR	BE	EF	03	06	00	75	D3	02	00	02	20	00	00	1D	00	XY	
Écran	Activé	BE	EF	03	06	00	68	D9	01	00	20	30	01	00	06			XY peut être 00 ou 01. 00 renvoie à DÉSACTIVÉ, 01 renvoie à ACTIVÉ.
	DÉSACTIVÉ	BE	EF	03	06	00	FB	D8	01	00	20	30	00	00	06			
	RECUEILLIR	BE	EF	03	06	00	C8	D8	02	00	20	30	00	00	1D	00	XY	

Source	OPS	BE	EF	03	06	00	FE	D2	01	00	00	20	00	00	06				
	HDMI	BE	EF	03	06	00	0E	D2	01	00	00	20	03	00	06				
	VGA	BE	EF	03	06	00	6E	D2	01	00	00	20	01	00	06				
	SCART2 (CVBS)	BE	EF	03	06	00	00	00	01	00	00	20	04	00	06				
	FAV	BE	EF	03	06	00	00	00	01	00	00	20	05	00	06				
	S-Vidéo	BE	EF	03	06	00	00	00	01	00	00	20	06	00	06				
Source	HDMI2	BE	EF	03	06	00	00	00	01	00	00	20	08	00	06				
	HDMI3	BE	EF	03	06	00	00	00	01	00	00	20	09	00	06				
	HDMI4	BE	EF	03	06	00	00	00	01	00	00	20	0A	00	06				
	YPbPr	BE	EF	03	06	00	00	00	01	00	00	20	0B	00	06				
	SCART2 (S-Vidéo)	BE	EF	03	06	00	00	00	01	00	00	20	0D	00	06				
	TV	BE	EF	03	06	00	00	00	01	00	00	20	0E	00	06				
	SCART1 (CVBS)	BE	EF	03	06	00	00	00	01	00	00	20	0F	00	06				
	SCART1 (S-Vidéo)	BE	EF	03	06	00	00	00	01	00	00	20	10	00	06				
	DVD	BE	EF	03	06	00	00	00	01	00	00	20	11	00	06				
	DVI	BE	EF	03	06	00	00	00	01	00	00	20	12	00	06				
	DP :	BE	EF	03	06	00	00	00	01	00	00	20	13	00	06				
	WIDI	BE	EF	03	06	00	00	00	01	00	00	20	15	00	06				
	RECEILLIR	BE	EF	03	06	00	CD	D2	02	00	00	20	00	00	1D	00	XY		<p>XY peut renvoyer à l'un des éléments suivants : 01 : OPS, 02 : HDMI, 03 : VGA, 04 : SCART2(CVBS), 05 : FAV, 06 : S-Vidéo, 08 : HDMI2, 09 : HDMI3, 0A : HDMI4, 0B : YPbPr, 0D : SCART2 (S-Vidéo), 0E : TV, 0F : SCART1(CVBS), 10 : SCART 1 (S-Vidéo), 11 : DVD, 12 : DVI, 13 : DP, 15 : WIDI</p> <p>Notez que toutes les sources ne sont pas activées.</p>

Commande reçue par l'écran														Réponse de l'écran en cas de succès de l'opération			Remarques	
Nombre d'octets		0	1	2	3	4	5	6	7	8	9	10	11	12	0	1		2
		Entête						Données										
		Code de l'entête		Paquet	Taille des données		Drapeau CRC		Action		Type		Code de réglage					
Nom	Opération	L	H	L	H	L	H	L	H	L	H	L	H					
Volume	RECEILLIR	BE	EF	03	06	00	31	D3	02	00	01	20	00	00	1D	00	XY	
	INCRÉMENT	BE	EF	03	06	00	57	D3	04	00	01	20	00	00	06			
	DÉCRÉMENT	BE	EF	03	06	00	86	D2	05	00	01	20	00	00	06			
	INITIALISER	BE	EF	03	06	00	31	D3	03	00	01	20	01	XY	06			Les valeurs XY peuvent être 00 au minimum et 1D au maximum.
Alimentation OPS	Activé	BE	EF	03	06	00	BA	D2	01	00	05	20	01	00	06			
	DÉSACTIVÉ	BE	EF	03	06	00	2A	D3	01	00	05	20	00	00	06			
	RECEILLIR	BE	EF	03	06	00	19	D3	02	00	05	20	00	00	1D	00	XY	XY peut être 00 ou 01. 00 renvoie à DÉSACTIVÉ, 01 renvoie à ACTIVÉ.
Rétroéclairage	RECEILLIR	BE	EF	03	06	00	89	D2	02	00	03	20	00	00	1D	00	XY	
	INCRÉMENT	BE	EF	03	06	00	EF	D2	04	00	03	20	00	00	06			
	DÉCRÉMENT	BE	EF	03	06	00	3E	D3	05	00	03	20	00	00	06			
	INITIALISER	BE	EF	03	06	00	89	D2	03	00	03	20	01	XY	06			Plage : 0x64-0x1E
	RÉINITIALISATION	BE	EF	03	06	00	58	D3	06	00	03	20	00	00	06			

Réglage automatique	Activé	BE	EF	03	06	00	32	D4	01	00	19	20	01	00	06			Seul le mode VGA prend en charge la commande d'ajustement automatique
	DÉSACTIVÉ	BE	EF	03	06	00	A2	D5	01	00	19	20	00	00	06			
Verrouillage clavier	Activé	BE	EF	03	06	00	93	97	01	00	11	24	01	00	06			
	DÉSACTIVÉ	BE	EF	03	06	00	03	96	01	00	11	24	00	00	06			
	RECUEILLIR	BE	EF	03	06	00	30	96	02	00	11	24	00	00	1D	00	XY	XY peut être 00 ou 01. 00 renvoie à DÉSACTIVÉ, 01 renvoie à ACTIVÉ.
Verrouillage télécommande	Activé	BE	EF	03	06	00	77	97	01	00	16	24	00	00	06			
	DÉSACTIVÉ	BE	EF	03	06	00	E7	96	01	00	16	24	01	00	06			
	RECUEILLIR	BE	EF	03	06	00	44	97	02	00	16	24	00	00	1D	00	XY	XY peut être 00 ou 01. 00 renvoie à DÉSACTIVÉ, 01 renvoie à ACTIVÉ.
Menu OSD	Activé	BE	EF	03	06	00	6A	63	01	00	00	37	01	00	06			
	DÉSACTIVÉ	BE	EF	03	06	00	FA	62	01	00	00	37	00	00	06			
Contraste	RECUEILLIR	BE	EF	03	06	00	FD	D3	02	00	04	20	00	00	1D	00	XY	
	INITIALISER	BE	EF	03	06	00	FD	D3	03	00	04	20	01	XY	06			Plage : 0x4E - 0xB2
	INCRÉMENT	BE	EF	03	06	00	9B	D3	04	00	04	20	00	00	06			
	DÉCRÈMENT	BE	EF	03	06	00	4A	D2	05	00	04	20	00	00	06			
Position Auto	EXÉCUTER	BE	EF	03	06	00	91	D0	06	00	0A	20	00	00	06			
Température de Couleur	INCRÉMENT	BE	EF	03	06	00	0B	F5	10	00	B0	30	03	00	06			9300K, 6500K, 13000K
	DÉCRÈMENT	BE	EF	03	06	00	CB	F8	01	00	B0	30	13	00	06			9300K, 6500K, 13000K
	RECUEILLIR	BE	EF	03	06	00	C8	F5	02	00	B0	30	00	00	1D	00	XY	XY comprend l'un des éléments suivants : 00=9300K, 01=6500K, 02=13000K
Heure	INCRÉMENT	BE	EF	03	06	00	19	D4	03	00	02	21	03	00	06			Les commandes d'horloge sont destinées à l'horloge VGA. Elles fonctionnent indépendamment de la source sélectionnée.
	DÉCRÈMENT	BE	EF	03	06	00	19	D5	03	00	02	21	04	00	06			
	RECUEILLIR	BE	EF	03	06	00	19	D7	03	00	02	21	06	00	1D	00	XY	XY est dans la plage comprise entre 00 et 64
Phase	INCRÉMENT	BE	EF	03	06	00	2F	83	04	00	03	21	00	00	06			Les commandes de phases sont destinées au décalage de phase VGA. Elles fonctionnent indépendamment de la source sélectionnée.
	DÉCRÈMENT	BE	EF	03	06	00	FE	82	05	00	03	21	00	00	06			
	RECUEILLIR	BE	EF	03	06	00	49	83	02	00	03	21	00	00	1D	00	XY	XY est dans la plage comprise entre 00 et 64
Position H	INCRÉMENT	BE	EF	03	06	00	97	82	04	00	01	21	00	00	06			
	DÉCRÈMENT	BE	EF	03	06	00	46	83	05	00	01	21	00	00	06			
	RECUEILLIR	BE	EF	03	06	00	F1	82	02	00	01	21	00	00	1D	00	XY	XY est dans la plage comprise entre 00 et 64 La position centrale est 32

Commande reçue par l'écran														Réponse de l'écran en cas de succès de l'opération			Remarques	
Nombre d'octets		0	1	2	3	4	5	6	7	8	9	10	11	12	0	1		2
		Entête						Données										
		Code de l'entête		Paquet	Taille des données		Drapeau CRC	Action			Type	Code de réglage						
Nom	Opération	L	H		L	H	L	H	L	H	L	H	L	H				
Position V	INCRÉMENT	BE	EF	03	06	00	68	83	04	00	00	21	00	00	06			
	DÉCRÈMENT	BE	EF	03	06	00	BA	82	05	00	00	21	00	00	06			
	RECUEILLIR	BE	EF	03	06	00	00	83	02	00	00	21	00	00	1D	00	XY	XY est dans la plage comprise entre 00 et 64 La position centrale est 32
Gain de température de couleur R	INCRÉMENT	BE	EF	03	06	00	52	F4	04	00	B1	30	00	00	06			
	DÉCRÈMENT	BE	EF	03	06	00	83	F5	05	00	B1	30	00	00	06			
	RECUEILLIR	BE	EF	03	06	00	34	F4	02	00	B1	30	00	00	1D	00	XY	

Gain de température de couleur G	INCRÉMENT	BE	EF	03	06	00	16	F4	04	00	B2	30	00	00	06			
	DÉCRÉMENT	BE	EF	03	06	00	C7	F5	05	00	B2	30	00	00	06			
	RECUEILLIR	BE	EF	03	06	00	70	F4	02	00	B2	30	00	00	1D	00	XY	
Gain de température de couleur B	INCRÉMENT	BE	EF	03	06	00	EA	F5	04	00	B3	30	00	00	06			
	DÉCRÉMENT	BE	EF	03	06	00	38	F4	05	00	B3	30	00	00	06			
	RECUEILLIR	BE	EF	03	06	00	8C	F5	02	00	B3	30	00	00	1D	00	XY	
Maintien	EXÉCUTER	BE	EF	03	06	00	00	06	00	C0	30	00	00	06				Bascule au statut de vidéo figée.

PANNEAU DE COMMANDE RS232/LAN

COMMANDES DU PANNEAU ADMINISTRATEUR			
Commande	Description	Paramètre	Retour
TOF	Mettez le panneau hors tension	Aucun paramètre	#*Le téléviseur sera mis en Veille active ! ou #*Le téléviseur est déjà en Veille active !
RST	Redémarrez	aucun paramètre ou entier (attendez quelques seconds jusqu'au redémarrage)	#Le téléviseur redémarre
STV	Règle le volume du panneau, la valeur de paramètre est définie pour le niveau de volume	caractère entier (niveau de volume)	#Le niveau du volume réglé = ...
GTZ	Obtenir le fuseau horaire	Aucun paramètre	#Le fuseau horaire est ...
CTZ	Modifier le fuseau horaire.	Caractère entier (valeur de TU)	#Fuseau horaire défini avec SUCCÈS
STL	Choisir la langue du panneau	Chaîne de caractères-entier (veuillez consulter les abréviations des différentes langues)	#La langue est passée à ... ou #Sélection de langue erronée.

SMA	Définir l'adresse mac Remarque : Cette commande n'est pas disponible pour la plateforme MB230. Vous pouvez plutôt utiliser la commande set_mac_address. Remarque2 : Cette commande ne modifier que les adresse mac de l'interface câblée. Remarque3 : Redémarrage requis.	Chaîne de caractères-entier (ex. : eth0-00:09:df:86:34:25)	#Adresse mac enregistrée #*ÉCHEC - Adresse MAC non valide ! #*ÉCHEC - Impossible d'écrire l'adresse MAC !
get_mac_address	Obtenir l'adresse MAC	aucun	#*Hwaddr : mac_address - réussi
OBTENIR L'ADRESSE MAC	Définissez l'adresse mac de l'interface sélectionnée	aucun	#*Hwaddr : <mac_address> - Réussi ou #*Impossible d'obtenir l'adresse mac
GETGPIO	Obtenez le statut GPIO	code pin (consulter la liste GPIO)	#*Le niveau GPIO est ...
DÉFINIR LE GPIO SUR BAS	Définit le statut GPIO sur bas	code pin (consulter la liste GPIO)	#*... est défini sur ÉLEVÉ
DÉFINIR LE GPIO SUR ÉLEVÉ	Définit le statut GPIO sur élevé	code pin (consulter la liste GPIO)	#*... est défini sur BAS
SELECTSOURCE	Sélectionnez la source.	Entier n (7 = HDMI1, 8 = HDMI2,9 = HDMI3, 10 = HDMI4, 19 = DP, 20 = OPS, 26 = TYPE C)	#*sélectionnez la source externe : ...
SSIP	Définissez les adresses IP statique, de passerelle par défaut et du masque de sous-réseau (adresses distinctes avec contenant le caractère « - »)	Chaîne de caractères (ex. : 192.168.0.15-10.0.90.5-255.255.255.0)	#Adresse IP définie avec succès

COMMANDES AUDIO

Commande	Description	Paramètre	Retour
VOLUME	Réglez le niveau de volume.	n est un entier (0 ≤ n ≤ 100)	#* réglez le volume à n
GETVOLUME	Informations relatives au niveau de volume.	Aucun paramètre	#* le niveau de volume est ...

VOLUME HAUT	Augmentez le niveau de volume de façon graduelle (Jusqu'au niveau maximum)	Aucun paramètre	#*Le NIVEAU de volume a augmenté à... ou #*Le niveau de volume a atteint la valeur maximale. Vous ne pouvez plus augmenter le niveau de volume. Le niveau de volume maximum confirmé est ...
VOLUME BAS	Diminuez le niveau de volume de façon graduelle.	Aucun paramètre	#*le NIVEAU de volume est diminué à ... ou #*Le niveau du volume est à la valeur minimum. Vous ne pouvez plus diminuer le niveau de volume.
RÉGLAGE DU MODE ÉGALISEU	Réglez le mode Égaliseur.	Chaîne n (Standard, Musique, Actualité, Théâtre, Jeu, Personnalisé)	#*Réglage du mode égaliseur () est réglé sur n ou #*Le paramètre ci-dessus doit être réglé sur une des options entre Standard, Musique, Actualité, Théâtre, Jeu et Personnalisé.
RÉGLAGE DU MODE ÉGALISEUR	Réglez le mode Égaliseur	Aucun paramètre	#*le mode Égaliseur est n Remarque : La valeur n ci-dessus est une des options entre Standard, Musique, Actualité, Théâtre, Jeu et Personnalisé
MODE MUET	Basculez en mode muet.	Aucun paramètre	#*MUET DÉSACTIVÉ ou #*MUET ACTIVÉ
SETMUTE	Basculez en mode muet.	Aucun paramètre	#*MUET DÉSACTIVÉ ou #*MUET ACTIVÉ
RÉGLAGE DE LA BALANCE	Réglez la valeur de balance.	n est un entier (-50 <= n <= 50)	#*réglez le niveau de balance sur n ou #*niveau de balance incorrect défini
GETBALANCE	Définissez la valeur de balance.	Aucun paramètre	#* le niveau de balance est ...
RÉGLAGE DE LA BASSE DYNAMIQUE	Réglez l'état de la basse dynamique.	n est un entier (0 = arrêt, 1 = marche)	#*réglez l'état de la basse dynamique à n
RÉGLAGE DE LA BASSE DYNAMIQUE	Réglez l'état de la basse dynamique.	Aucun paramètre	#*l'état de la basse dynamique est ... (0 = arrêt, 1 = marche)
SETBASSGAIN	Réglez le gain de basse	n est un entier (-6 <= n <= 6)	#*réglez le gain de basse sur ou #*paramètres du système sonore incorrects définis

RÉGLAGE DU GAIN DE BASSE	Réglez le gain de basse	Aucun paramètre	#*le niveau de gain de basse est n Remarque : La valeur au-dessus de n est -6 <= n <= 6
RÉGLAGE DU SON SURROUND	Réglez l'état du son Surround.	n est un entier (0 = arrêt, 1 = marche)	#*réglez l'état du son Surround à n
RÉINITIALISATION SONORE	Réinitialisez les paramètres sonores	Aucun paramètre	#*réinitialisez les paramètres de son

COMMANDES DE NAVIGATEUR

Commande	Description	Paramètre	Retour
OUVERTURE DE L'URL	Démarré l'URL fournie et retourne directement à l'état de chargement de la page d'accueil.	chaîne	#*URL : ...
DÉFINITION DE L'URL	Définit l'URL de la page en cours si le portail est ouvert.	Aucun paramètre	#*URL : ...
PARAMÈTRES URL	Règle l'URL de paramétrage du navigateur	chaîne	#*Les paramètres URL sont définis
RÉGLAGE DES PARAMÈTRES URL	Règle les paramètres URL du navigateur	Aucun paramètre	#*Les paramètres URL sont ...
DÉFINITION DE L'URL DE DÉMARRAGE	Définit l'URL de démarrage	chaîne	#*L'URL de démarrage est définie
DÉFINITION DE L'URL DE DÉMARRAGE	Définit l'URL de démarrage	Aucun paramètre	#*L'URL de démarrage est ...
DÉFINITION DE L'AGENT UTILISATEUR	Définit l'agent utilisateur du portail.	Aucun paramètre	#*Agent utilisateur actuel : ...
EFFACER CACHE	Efface le cache/les cookies (données de confidentialité telles que les formulaires Web)	Aucun paramètre	#*Les cookies du navigateur sont supprimés
CLEARBROWSERDATA	Supprimez les fichiers de données du navigateur, tels que l'historique, les signets, les raccourcis et la configuration	Aucun paramètre	#*Les fichiers de données du navigateur sont supprimés
GETCMSSTATUS	Définit l'état du CMS	Aucun paramètre	#*Procède à l'attribution des statuts cms à l'aide de la commande ATTRIBUER STATUT CMS ou Retourne à la valeur de statut cms par défaut
SETCMSSTATUS	Définit l'état CMS	Paramètres de la longueur maximale d'une chaîne de 255 caractères	#*État du CMS réglé sur ... ou #*NACK
GETCMSPARAMS	Définit les paramètres du CMS	Aucun paramètre	#*Procède à la définition des paramètres cms à l'aide de la commande SETCMS PARAMS. ou Retourne à la valeur de paramétrage cms

SETCMSPARAMS	Définit les paramètres du CMS	Paramètres de la longueur maximale d'une chaîne de 255 caractères	##*paramètres CMS réglés sur ... ou ##*NACK
CONFIGURER LE DÉBOGAGE DU NAVIGATEUR	Configure le mode de débogage du navigateur	n est une chaîne de caractères (n = MARCHÉ, n = ARRÉT)	Le débogage du navigateur est activé Ouvrez l'url suivante à partir de n'importe quel navigateur de bureau à base de chrome : chrome://inspect ou Le débogage du navigateur est désactivé
SETBROWSECORS	Définissez le statut cors du navigateur pour activer ou désactiver les notifications de sécurité internet.	n est un entier (n = 0,1)	##*La fonction cors du navigateur est activée ou ##*la fonction cors du navigateur est désactivée
GETBROWSECORS	Obtient le statut cors du navigateur	Aucun paramètre	##*La fonction cors du navigateur est activée ou ##*la fonction cors du navigateur est désactivée

COMMANDES DE SYSTÈME DE FICHIERS

Commande	Description	Paramètre	Retour
MP3PLAY	lit des fichiers MP3.	chaîne de caractères ou d'entiers naturels n Exemple : Fichiers audio mp3 MP3PLAY	##*Lecture des fichiers audio : n
MP3GETPLAYING	Reprend la lecture des fichiers audio :	Aucun paramètre	##*Lecture/Stockage/2ECD-304C/audio.mp3
LECTURE DES VIDÉOS	Lisez les fichiers vidéo.	chaîne de caractères ou d'entiers naturels n Exemple : VIDEOPLAY video. mp4	##*Lecture des fichiers vidéo : n
RETOUR LECTURE VIDÉO	Reprend la lecture des fichiers vidéo.	Aucun paramètre	##*Lecture/stockage/2ECD-304C/vidéo.mp4
AFFICHAGE DES IMAGES	Affichez les fichiers image.	chaîne de caractères ou d'entiers naturels n Exemple : IMGSHOW picture. jpg	##*Lecture des fichiers vidéo : n
RETOUR AFFICHAGE IMAGE	Retourne à l'affichage du fichier image.	Aucun paramètre	##*Affichage/stockage/2ECD-304C/picture.jpg
OBTENIR L'ÉTAT DE FORMATAGE DU DISQUE	Obtiens l'état du formatage du disque USB interne.	Aucun paramètre	##*Le disque est formaté. ou ##*le disque n'est pas formaté. ou ##*Aucun disque USB interne trouvé.

FORMATER LE DISQUE	Formate le disque USB interne à FAT32	Aucun paramètre	#*Le formatage a été effectué avec succès. ou #*une erreur est survenue lors du formatage. ou #*Aucun disque USB interne trouvé.
---------------------------	---------------------------------------	-----------------	--

FONCTIONS GÉNÉRALES DU PANNEAU

Commande	Description	Paramètre	Retour
Led	Active ou désactive la DEL. (Utilisé pour définir le statut actuel du voyant LED)	n est un entier (0 = arrêt, 1 = marche)	#*Voyant LED activé ou #*Voyant LED désactivé
RÉGLAGE DU VOYANT LED	Activez ou désactivez le voyant LED. (Utilisé pour définir le statut actuel du voyant LED)	Aucun paramètre	#*Voyant LED activé ou #*voyant LED désactivé
DÉFINIR L'ÉTAT DU VOYANT LED DE VEILLE	Définir l'état du voyant LED de veille	n est une chaîne de caractères (n = MARCHE, n = ARRÊT)	#*Voyant LED défini sur Activé ou #*Voyant LED défini sur Désactivé ou #*Voyant LED non défini (entrée non valide)
RÉGLAGE DE LA SOURCE	active/désactive la source.	chaîne n, entier b (n = HDMI1, n = HDMI2, n = HDMI3, n = HDMI4, n = DP, n = OPS, n = TYPE-C, n = WIDI) (b = 1(activé), b = 0(désactivé))	#*Source sélectionnée n #*Activer/Désactiver l'état : b
DÉFINITION DE LA SOURCE	Définit la source.	Définit la source.	#*la source est ...
RENOMMER LA SOURCE	Modifie le nom de la source avec un indice donné.	Chaîne n - entier m n = Nouveau nom de la source m = Indice de la source (HDMI1 = 5, HDMI2 = 8, HDMI3 = 9, HDMI4 = 10, DP = 6, OPS = 7, TYPE-C = 11, WIDI = 15) (Exemple=SETSOURCE NAME ASLI 5)	#* <ancien nom de la source> le nom de la source est remplacé par <nouveau nom de la source> ou #*Source non disponible

OBTENIR LE NOM DE LA SOURCE	Obtient le nom de la source avec un indice donné.	n est un entier n = Indice de la source (HDMI1 = 5, HDMI2 = 8, HDMI3 = 9, HDMI4 = 10, DP = 6, OPS = 7, TYPE-C = 11, WDI = 15)	**Le nom de la source est ... ou **Source non disponible
CLÉ	Envoyer la clé.	n est une chaîne de caractères ou un entier (n = 0, n = 1,, n = haut,, n = menu,ext.)	Clé n envoyée
DÉFINITION DE LA VERSION DU LOGICIEL	Renvoie la version du logiciel du panneau.	Aucun paramètre	**V...
DÉFINITION DU N° DE MODÈLE	Définissez le n° de modèle	Aucun paramètre	Numéro de modèle : ...
DÉFINITION DU NUMÉRO DE MODÈLE	Définissez le n° de modèle	chaînes de caractère ou des entiers n	**ACQ ou **NON ACQ
DÉFINITION DU N° DE SÉRIE	Définissez le numéro de série (renvoie **NON ACQ si aucun numéro de série n'a été défini)	Aucun paramètre	**<N° de série> ou **NON ACQ
DÉFINITION DU NUMÉRO DE SÉRIE	Définissez le n° de série	chaînes de caractère ou des entiers n	**ACQ ou **NON ACQ
RÉGLAGE DE FTIPIN	Définissez le nombre entier n de	FTI PIN (n est un nombre à quatre chiffres)	**FTI PIN a été défini à n
DÉFINITION DE FTIPIN	Définissez le code FTI PIN sur	Aucun paramètre	**Le code FTI PIN est n

<p style="text-align: center;">MODIFICATION DE LA LANGUE</p>	<p style="text-align: center;">Modifier la langue active.</p>	<p>n est entier n = langue (0= « turque », 1= « anglais », 2= « albanais », 3= « arabe »,4= « azerbaïdjanais », 5= « belarus »,6= « bosnien »,7= « bulgare », 8= « tchèque », 9= « danois », 10= « néerlandais »,11= « estonien », 12= « finlandais »,13= « français », 14= « allemand »,15= « gaélique », 16= « grec »,17= « hébreu », 18= « croate »,19= « hongrois », 20= « italien », 21= « kazakhe », 22= « letton », 23= « lituanien », 24= « macédonien », 25= « norvégien », 26= « perse », 27= « polonais », 28= « portugais », 29= « roumain », 30= « russe », 31= « slovaque », 32= « slovène », 33= « espagnol », 34= « serbe », 35= « suédois », 36= « thaïlandais », 37= « ukrainien », 38= « vietnamien » 39=, « japonais »)</p> <p>Par exemple: CHANGELNG 0 (Pour définir la langue du système en turc)</p>	<p>#*La langue active [ancienne langue] a été modifiée ou #*Paramètres d'élément incorrects définis</p>
---	---	--	---

RÉGLAGE DU PAYS	Définir le pays	n est une chaîne Les chaînes de pays valides sont les suivantes : TURQUIE, ROYAUME-UNI, ALBANIE, AUSTRALIE, ÉTATS-UNIS, CANADA, AUTRICHE, BELARUS, BELGIQUE, BULGARIE, COLOMBIE, CROATIE, CHYPRE, RÉP. TCHÈQUE, DANEMARK, ESTONIE, FINLANDE, FRANCE, ALLEMAGNE, GRÈCE, HONGRIE, INDE, IRAQ, IRLANDE, ISRAËL, ITALIE, JORDANIE, LETTONIE, LIBAN, LITUANIE, LUXEMBOURG, MACÉDOINE, MALTE, PAYS-BAS, NOUVELLE-ZÉLANDE, NORVÈGE, IRAN, POLOGNE, PORTUGAL, ROUMANIE, RUSSIE, ARABIE SAOUDITE, SERBIE, SLOVAQUIE, SLOVÉNIE, ESPAGNE, SUÈDE, SUISSE, THAÏLANDE, UKRAINE, VIETNAM, JAPON	#*Régler pays() réglé sur n ou #*Paramètres d'élément incorrects définis
DÉFINITION DU PAYS	Définir le pays	Aucun paramètre	#*LE PAYS EST :
DÉFINITION DU NOM DU CLIENT	Changer de nom du client	n est une chaîne (n = nom du client)	#*Le nom du client est défini comme n
RECHERCHE DU CLIENT	Obtenir le nom du client	Aucun paramètre	#*Client: [CLIENT]#*
INFORMATIONS DE CONSTRUCTION	Fournit les informations de construction	Aucun paramètre	#*Informations de construction = ... #*Date de fabrication = ...
USINE	Chargez les réglages par défaut de la NVRAM. Les réglages sont mis à jour avec les valeurs par défaut.	Aucun paramètre	#*Les réglages par défaut sont chargés dans la NVRAM.
RÉINITIALISATION	Réinitialisez l'appareil.	Aucun paramètre	#*Réinitialiser l'appareil
TEMPORISATION DU MENU	Réglez le mode de temporisation du menu.	n est un entier (n = 0 , n = 15, n = 30, n = 45, n = 60)	#*réglez le mode de temporisation du menu sur ARRÊT ou #*réglez le mode de temporisation du menu sur 60 ou #*Mode de temporisation du menu incorrect

RÉGLAGE DE LA TEMPORISATION DE MENU	Réglez le mode de temporisation du menu	Aucun paramètre	<p>#*le mode de temporisation du menu est DÉSACTIVÉ</p> <p>ou</p> <p>#*le mode de temporisation du menu est n</p> <p>ou</p> <p>#*Impossible d'activer le mode de temporisation du menu</p> <p>Remarque : La valeur au-dessus de n est l'une des valeurs suivantes (15, 30,45, 60)</p>
MISE HORS TENSION AUTOMATIQUE DU TÉLÉVISEUR	Réglez le niveau de la mise hors tension automatique du panneau.	n est un entier (0 = hors tension, 1 = 1 HEURE, 2 = 2 HEURES, 3 = 3 HEURES, 4 = 4 HEURES, 5 = 5 HEURES, 6 = 6 HEURES, 7 = 7 HEURES, 8 = 8 HEURES)	<p>#*Définit la mise sous tension automatique du téléviseur sur n</p> <p>ou</p> <p>#*définit la mise sous tension automatique du téléviseur sur DÉSACTIVÉ</p> <p>ou</p> <p>#*la valeur de la mise hors tension automatique doit être un entier et être comprise entre [0-8]</p>
OBTENIR LA MISE HORS TENSION AUTOMATIQUE	Obtenir le mode de la mise hors tension automatique du panneau.	Aucun paramètre	<p>#*mise hors tension automatique du téléviseur activée</p> <p>ou</p> <p>#*mise hors tension automatique du téléviseur DÉSACTIVÉE</p>
ALLER AU MODE VEILLE	Activez ou désactivez le mode Veille.	Aucun paramètre	<p>#*Mode Veille désactivé</p> <p>ou</p> <p>#*Mode Veille activé</p>
ENTRER EN VEILLE ACTIVE	Passez en mode veille active	Aucun paramètre	<p>#*Le téléviseur est mis en Veille active !</p> <p>ou</p> <p>#*Le téléviseur est déjà en Veille active !</p>
QUITTER LE MODE VEILLE ACTIVÉ	Sortez du mode veille active	Aucun paramètre	<p>#Le téléviseur s'allume</p> <p>ou</p> <p>#Le téléviseur n'est pas en mode Veille active !</p>
DÉFINITION DE LA DURÉE DE VIE DU TÉLÉVISEUR	Imprime la durée de vie du panneau en minutes.	Aucun paramètre	Durée de vie du téléviseur : n
RÉGLAGE DE LA MISE EN MARCHÉ PROGRAMMABLE	Réglez le niveau de mise en marche programmable	entier n ($0 \leq n \leq 20$, la formule de calcul du retard est $100 \text{ ms} \times n$)	<p>#*Temporisation à la mise sous tension réglée sur ... ms</p> <p>ou</p> <p>#*NON ACQ</p>
RÉGLAGE DE LA MISE EN MARCHÉ PROGRAMMABLE	Réglez le niveau de mise en marche programmable	Aucun paramètre	#*La valeur de mise en marche programmable est de ... ms
RÉINITIALISATION DE L'AFFICHAGE	Réglez tous les éléments du menu des paramètres d'affichage à leurs valeurs par défaut.	Aucun paramètre	#*Tous les paramètres d'affichage définis aux valeurs par défaut

SWOL	Réglez l'option Réveil sur LAN	n est un entier (n = 1, (activer), n = 0 (désactiver))	##*Réveil sur LAN est réglé sur Activer. ou ##*Réveil sur LAN est réglé sur Désactiver.
GWOL	Obtenez l'option Réveil sur LAN	Aucun paramètre	##*Réveil sur LAN est réglé activé. ou ##*Réveil sur LAN est désactivé.
HEURE	Affiche la date et l'heure actuelles.	Aucun paramètre	Heure = ...
RÉGLER LE MODE HEURE	Réglez le mode Heure	n est une chaîne de caractères (« auto », « manuel »)	##*Réglez le mode heure sur n ou ##*type de saisie non valide
OBTENIR LE MODE HEURE	Obtenir le mode Heure	Aucun paramètre	##*le mode heure est n Remarque : La valeur au-dessus de n est « auto » ou « manuel ».
DÉFINITION DU MODE DE MISE SOUS/HORS TENSION	Définit le mode de mise sous/hors tension (MODE DE MISE SOUS/HORS TENSION n)	chaîne n (Éco, Standard)	##*Définit le mode de mise sous/hors tension sur ... ou ##*Paramètre de mise sous/hors tension non valide (<Éco/Standard>)
OBTENIR LE MODE DE MISE SOUS/HORS TENSION	Retourne au mode de mise sous/hors tension (Éco ou Standard)	Aucun paramètre	##*Le mode de mise sous/hors tension est
OBTENIR LA TEMPÉRATURE DU PROCESSEUR	Permet d'obtenir la température du processeur	Aucun paramètre	##*La température du processeur est de ...
OBTENIR LE POURCENTAGE D'UTILISATION DE LA RAM	Permet d'obtenir le pourcentage d'utilisation de la RAM	Aucun paramètre	##*Le pourcentage d'utilisation de la mémoire est de ... ou ##*impossible d'obtenir le pourcentage d'utilisation de la mémoire
set_video_output	Active et désactive toutes les tensions d'alimentation du panneau et les signaux vidéo	n est un entier (0 = arrêt, 1 = marche)	##*La sortie vidéo est définie sur 0 ou ##*La sortie vidéo est définie sur 1 ou ##*Paramètre non valide
screen_capture_usb	Capturez la surface spécifiée comme png sur clé USB.	n est un entier (0 pour UI, 8 pour la couche vidéo)	##*La capture d'écran est réussie. ou ##*Échec de la capture d'écran !
DÉSACTIVATION DE VIDÉO	Désactive la vidéo	Aucun paramètre	##*Désactivation de vidéo.
ACTIVATION DE VIDÉO	Active la vidéo	Aucun paramètre	##*Activation de vidéo.

OBTENIR L'ÉTAT DE LA VIDÉO	Obtenir l'état de la vidéo.	Aucun paramètre	#*Vidéo activée ou #*Vidéo désactivée
SETSCHEDULER	Active/Désactive le planificateur.	n est une chaîne (N_X, N_X) (N est un nombre du planificateur (1,2,3,4), X est « ACTIVÉ » or "DÉSACTIVÉ") ----- « DÉFINIR LE PLANIFICATEUR N_X » (DÉFINIR LE PLANIFICATEUR 1_DÉSACTIVÉ) (DÉFINIR LE PLANIFICATEUR 2_ACTIVÉ)	#*Le plan du planificateur N (1,2,3,4) est défini sur X (ACTIVÉ, DÉSACTIVÉ) ou #*Paramètre entré erroné
GETSCHEDULER	obtient le réglage du planificateur (activé/désactivé)	« GETSCHEDULER N » (N est le numéro de réglage du planificateur) ----- « GETSCHEDULER 1 »	#*Le plan du planificateur N (1,2,3,4) est ... (ACTIVÉ, DÉSACTIVÉ) ou #*Paramètre entré erroné

<p>SETSCHEDULEOP</p>	<p>définit les paramètres du planificateur</p>	<p>n est une chaîne (schedulerplannumber_ onenabled_ontime_offenabled_ offtime_days_ sourceorbrightness_value au format : A_B_hh:mm_C_ hh:mm_D_E_F) A = 1, 2, 3, 4 B = 0, 1 C = 0, 1 D = XXXXXX (X = 0, 1) E = 0, 1 (0 = source, 1 = luminosité) F; if E = 0, noms des sources disponibles : Dernière source USB DP OPS Type C HDMI 1 HDMI 2 HDMI 3 HDMI 4 if E = 1, valeur du rétroéclairage = 0, 5, 10, 15, 20, 25, 30, 35, 40, 45, 50, 55, 60, 65, 70, 75, 80, 85, 90, 95, 100 ----- "SETSCHEDULEOP number_ enabled_ontime_offenabled_ offtime_days_source" (SETSCHEDULEOP 4_1_08:00_1_22:00_0111110_0_HDMI 1)</p>	<p>#*Les paramètres du planificateur sont... (Réglé/pas réglé).</p>
<p>GETSCHEDULEOP</p>	<p>définit les paramètres du planificateur</p>	<p>« GETSCHEDULEOP N » (N est un numéro de plan du planificateur) N=1, 2, 3, 4 ----- « GETSCHEDULEOP 1 »</p>	<p>#*La durée, la source et les jours du plan du planificateur N (1,2,3,4) activé/désactivé sont (hh:mm_hh:mm_source_days) ou #*la durée, le rétroéclairage et les jours du plan du planificateur N (1,2,3,4) activé/désactivé sont: (hh:mm_hh:mm_backlight_days) or #*Le plan du planificateur N (1,2,3,4) n'est pas défini ou #*Paramètre entré erroné</p>
<p>DÉMARRAGE DE L'INSTALLATION INITIALE</p>	<p>lancez Réinitialiser l'affichage</p>	<p>Aucun paramètre</p>	

COMMANDES DE MODE

Commande	Description	Paramètre	Retour
RÉGLAGE DE LA SOURCE DE DÉMARRAGE	Règle la source de démarrage qui a été entrée après la mise hors tension et la mise sous tension	n est un entier ($1 \leq n \leq 7$) Indice de la source (n=1) DP (n=2) SLOT/OPS (n=3) TYPE C (n=4) HDMI1 (n=5) HDMI2 (n=6) HDMI3 (n=7) HDMI4	## La source de démarrage est définie sur ... ou ## une source de démarrage non valide a été entrée.
OBTENIR LA SOURCE DE DÉMARRAGE	Obtient la source de démarrage qui a été entrée après la mise hors tension et la mise sous tension	Aucun paramètre	##La source de démarrage est :
RÉGLAGE DU MODE DE DÉMARRAGE	Définit le mode de démarrage	n est un entier ($0 \leq n \leq 2$) (n = 0 => Marche, n = 1 => Veille, n = 2 => Dernier)	## La mode de démarrage est défini sur ... ou ##mode de démarrage non valide entré.
OBTENIR LE MODE DE DÉMARRAGE	Obtient le mode de démarrage	Aucun paramètre	##Le mode de démarrage est :
DÉFINITION DU VERROUILLAGE DU PANNEAU	Définit la disponibilité du verrouillage du panneau de commande (ACTIVÉ/ DÉSACTIVÉ)	n est un entier (ACTIVÉ, DÉSACTIVÉ)	##Définir le verrouillage du panneau de commande sur ... ou ##paramètre non valide entré
OBTENIR LE VERROUILLAGE DU PANNEAU	Obtient la disponibilité du verrouillage du panneau de commande.	Aucun paramètre	##Le verrouillage du panneau de commande est ... ou ##Le verrouillage du panneau de commande n'a pas encore été défini.
RÉGLAGE DU VOLUME MAXIMUM	Règle le niveau maximal du volume.	n est un entier ($0 \leq n \leq 100$)	## La limite maximale du volume est ... ou ## Paramètre non valide entré !
DÉFINITION DU VOLUME MAXIMUM	Règle le niveau maximal du volume.	Aucun paramètre	##La limite maximale du volume est ...
OBTENIR LA LIMITE MINIMUM DE VOLUME	Obtient le niveau minimal du volume.	Aucun paramètre	##Le volume minimum est ...
RÉGLAGE DU VOLUME DE DÉMARRAGE	Règle le volume de démarrage.	n est un entier ($0 \leq n \leq 100$)	##Le volume de démarrage est défini sur ... ou ##Le volume ne peut pas être plus haut que le volume maximal ##Volume entré non valide !
OBTENIR LE VOLUME DE DÉMARRAGE	Obtient le volume de démarrage.	Aucun paramètre	##Le volume de démarrage est...

COMMANDES DU NAVIGATEUR MULTIMÉDIA

Commande	Description	Paramètre	Retour
DÉFINIR LES INTERVALLE D’AFFICHAGE EN MODE DIAPORAMA	Définit l’intervalle de temps d’affichage du mode diaporama	Entier n (5, 10, 15, 20, 25, 30)	#*L’intervalle d’affichage du mode Diaporama est réglé à ... secondes
OBTENIR LES INTERVALLE D’AFFICHAGE EN MODE DIAPORAMA	obtenir l’intervalle de temps d’affichage du mode diaporama	Aucun paramètre	#*L’intervalle d’affichage du mode Diaporama est de ... secondes
SETUSBAUTOPLAY	Régler le mode Lecture usb automatique	n est un entier (ACTIVÉ, DÉSACTIVÉ)	#*Le mode lecture usb automatique est réglé sur ... (ACTIVÉ/DÉSACTIVÉ)
GETUSBAUTOPLAY	Obtenir le mode Lecture usb automatique	Aucun paramètre	#*Le mode lecture usb automatique est ... (1, 0)
DÉFINIR LA POSITION DU SOUS-TITRE	définissez la position du sous-titre	chaîne de caractère n (précédent, suivant)	#*La position du sous titre est réglée sur ... (précédent / suivant)
GETMBSUBTPOS	obtenez la position de sous titre	Aucun paramètre	#*La position de sous titre est ... (précédent / suivant)
SETMBSUBTFONTSIZE	réglez la taille de la police des sous-titres	n est un entier	#*La taille de la police des sous-titres du navigateur multimédia est réglée sur ...
GETMBSUBTFONTSIZE	obtenez la taille de la police des sous-titres	Aucun paramètre	#*La taille de la police des sous-titres du navigateur multimédia est ... (taille de la police comme dans la section des paramètres du régleur)

COMMANDE DE RÉGLAGE DE SIGNALISATION

Commande	Description	Paramètre	Retour
GETTOTALSPACE	Obtenir l’espace de stockage usb total	Aucun paramètre	#*L’espace total est de ...
GETFREESPACE	Obtenir l’espace de stockage usb libre	Aucun paramètre	#*L’espace libre est de ...
OUVRIER LES PARAMÈTRES D’AFFICHAGE	Ouvre la boîte de dialogue Paramètres d’affichage	Aucun paramètre	#*Paramètres d’affichage est ouvert
DÉFINITION DU MODE TACTILE INTÉGRÉ	Définit le mode tactile intégré	chaîne (External,OPS,Display, TypeC,Auto)	#*Le mode tactile intégré est défini sur ***** ou #*Le mode tactile intégré n’est pas défini (entrée non valide)
SETMODE_WIFI BT	Définit la valeur de commutation wifi et bt	chaîne wifibt string usb chaîne (Display,OPS,Auto)	#*Le mode de commutation Wifi et BT est défini sur ***** ou #*Le mode de commutation Wifi et BT n’est pas défini (entrée non valide)
SETMODE_USB	Définit le statut de la valeur des périphériques USB avant et interne	chaîne usb string wifibt chaîne (Display,OPS,Auto)	#*Le mode USB est défini sur ***** ou #*Le mode USB n’est pas défini (entrée non valide)

SETSIGNALAGEID	Réglage de l'ID de signalisation	n est un entier	##Réglage de l'ID de signalisation effectué avec succès. ou ##Paramètre erroné. Les paramètres doivent être des entiers.
GETSIGNALAGEID	Obtenir l'ID de signalisation	Aucun paramètre	##L'ID de signalisation est ... ou ##L'ID de signalisation est 0 ##N'oubliez pas d'entrer l'ID de signalisation ! (Si la valeur de retour est 0)
SHOWSIGNALAGEID	Affiche l'identifiant de signalisation à l'écran	Aucun paramètre	##L'ID de signalisation est ... ou ##L'ID de signalisation est 0 ##N'oubliez pas d'entrer l'ID de signalisation ! (Si la valeur de retour est 0)

COMMANDES DE RÉSEAU

Commande	Description	Paramètre	Retour
get_IP_address	Définissez l'adresse IP de l'interface réseau eth0. Utilisation : get_IP_address	Aucun paramètre	##Adresse IP : ...
Enregistrement du profil WiFi	Enregistrez le point d'accès à wifi_profile.	Le signal SSID et la clé du signal BSSID sont des chaînes de caractères ou des entiers	Profil enregistré. ou Vous avez dépassé le nombre maximum de profils à enregistrer.
WiFi	Vérifie si le WiFi avec SSID est accessible ou non et rend compte de la réussite ou de l'échec.	Le signal SSID est une chaîne de caractères ou un entier	##Réussi ou ##Échec
OBTENIR UN TYPE DE RÉSEAU	Obtenez un type de réseau (ex. : OBTENIR UN TYPE DE RÉSEAU)	Aucun paramètre	##Le type de réseau est <network-type>
DÉFINIR UN MASQUE SOUS-RÉSEAU	Définissez le masque sous-réseau (la valeur du masque sous-réseau doit être de format nnn.nnn.nnn.nnn) (ex. : DÉFINIR UN MASQUE SOUS RÉSEAU nnn.nnn.nnn.nnn)	Chaîne de caractères « nnn.nnn.nnn.nnn »	##définir masque sous-réseau : nnn.nnn.nnn.nnn ou ##échec de définition de masque sous-réseau
OBTENIR UN MASQUE SOUS-RÉSEAU	Obtenez un masque sous-réseau (ex. : OBTENIR UN MASQUE SOUS-RÉSEAU)	Aucun paramètre	##Le masque sous-réseau est nnn.nnn.nnn.nnn
DÉFINIR UNE PASSERELLE PAR DÉFAUT	Définissez une passerelle par défaut (la valeur de passerelle doit être au format nnn.nnn.nnn.nnn) (ex. : DÉFINIR UNE PASSERELLE PAR DÉFAUT nnn.nnn.nnn.nnn)	Chaîne de caractères « nnn.nnn.nnn.nnn »	##définir la passerelle par défaut : nnn.nnn.nnn.nnn ou ##échec de définition de la passerelle par défaut

OBTENIR PASSERELLE PAR DÉFAUT	Obtenez une passerelle par défaut (ex. : OBTENIR UNE PASSERELLE PAR DÉFAUT)	Aucun paramètre	##la passerelle par défaut est nnn.nnn.nnn.nnn
SETDNS1	définissez le serveur DNS 1 (la valeur du serveur DNS doit être au format nnn.nnn.nnn.nnn) (ex. SETDNS1 nnn.nnn.nnn.nnn)	Chaîne de caractères « nnn.nnn.nnn.nnn »	##définir le serveur DNS 1 sur : nnn.nnn.nnn.nnn ou ##échec de définition du serveur DNS 1
GETDNS1	Accédez à un serveur DNS 1 (ex. : GETDNS1)	Aucun paramètre	##Le serveur DNS 1 est nnn.nnn.nnn.nnn
SETDNS2	définissez le serveur DNS 2 (la valeur du serveur DNS doit être au format nnn.nnn.nnn.nnn) (ex. SETDNS2 nnn.nnn.nnn.nnn)	Chaîne de caractères « nnn.nnn.nnn.nnn »	##définir le serveur DNS 2 sur : nnn.nnn.nnn.nnn ou ##échec de définition du serveur DNS 2
GETDNS2	accédez à un serveur DNS 2 (ex. : GETDNS2)	Aucun paramètre	##Le serveur DNS 2 est nnn.nnn.nnn.nnn
GETINTERNETSPEED	obtenez la vitesse d'Internet	Aucun paramètre	##La vitesse d'Internet est... Mbps
SETPROXY	Permet de définir la configuration du proxy	chaîne de caractère (nnn.nnn.nnn.nnn:nnnn)	##addr = nnn.nnn.nnn.nnn, port = nnnn
GETPROXY	Permet d'obtenir la configuration du proxy	Aucun paramètre	##Le proxy actuel est nnn.nnn.nnn.nnn:nnnn ou ##Aucune adresse proxy
CLEARPROXY	Permet supprimer la configuration du proxy	Aucun paramètre	##Le proxy a été supprimé

COMMANDES DE PC

Commande	Description	Paramètre	Retour
SETOSDORIENTATION	Définissez une orientation OSD	n est une chaîne de caractères ou un entier (n = paysage)	##Paramètre erroné entré (paysage) ou ##L'orientation OSD définie est correcte ou ##L'orientation OSD définie est incorrecte
GETOSDORIENTATION	Obtenir une orientation OSD	Aucun paramètre	##L'orientation OSD ...
SETOPSPower	Régler l'état de l'alimentation de l'OPS	Paramètre de chaîne « marche » ou « arrêt »	##Mise en marche de l'OPS ##Arrêt de l'OPS ##L'OPS est déjà en marche ##L'OPS est déjà à l'arrêt ##L'OPS n'est pas activé ##L'OPS n'est pas branché ##valeur entrée non valide

GETOPSPower	Obtenez l'état de l'alimentation de l'OPS	Aucun paramètre	<p>##*Le mode OPS est en marche</p> <p>##*Le mode OPS n'est pas en marche</p> <p>##*Le mode OPS n'est pas activé</p> <p>##*Le mode OPS n'est pas branché</p>
SETOPSALWAYSON	Définissez l'OPS Toujours sur la valeur	paramètre de chaîne « vrai » ou « faux »	<p>##*valeur entrée non valide</p> <p>##*L'OPS n'est pas activé</p> <p>##*OPS Toujours réglé sur vrai</p> <p>##*OPS Toujours réglé sur faux</p>

COMMANDES D'IMAGE

Commande	Description	Paramètre	Retour
RÉGLAGE DU RÉTROÉCLAIRAGE	Définir le statut de la broche de rétro-éclairage.	n est une chaîne de caractères ou un entier (n = MARCHE, n = ARRÊT)	<p>##*régler la lumière du port sur MARCHE</p> <p>ou</p> <p>##*régler la lumière du port sur ARRÊT</p>
RÉGLER LE NIVEAU DE L'ÉCLAIRAGE	Réglez le niveau du rétroéclairage.	n est un entier (0 ≤ n ≤ 100)	<p>##*Niveau de rétro-éclairage réglé sur n</p> <p>ou</p> <p>##*RETOUR</p>
OBTENIR LE NIVEAU DE RÉTRO-ÉCLAIRAGE	Définissez le niveau du rétroéclairage.	Aucun paramètre	##*Le niveau de rétro-éclairage est ...
TEMPÉRATURE DE COULEUR	Réglez la température de couleur.	n est une chaîne de caractères ou un entier (n = normal, chaud ou froid)	##*Réglez la température de couleur () sur n
ACCÉDER À LA FONCTION TEMPÉRATURE DE	Accédez à la fonction Température de couleur.	Aucun paramètre	##*La température de couleur est ...
MODE IMAGE	Sélectionnez le mode Image.	Affichage----> ent n (1 = dynamique, 2 = naturel, 3 = cinéma, 4 = jeu, 5 = sports) Signalisation----> ent n (1 = signalisation, 2 = naturel, 3 = texte, 4 = jeu, 5 = sports)	<p>##* régler le mode image () sur n</p> <p>ou</p> <p>##*Paramètre de mode d'image incorrect entré</p>
DÉFINITION DU MODE IMAGE	Définissez le mode Image.	Aucun paramètre	##*Le mode Image est ... pour la source actuelle
RÉGLER LE CONTRASTE	Définissez la valeur du contraste de l'image.	Aucun paramètre	##*VALEUR DU CONTRASTE DE L'IMAGE : ...
DÉFINIR LE CONTRASTE	Réglez la valeur du contraste de l'image.	n est un entier (0 ≤ n ≤ 100)	<p>##*La valeur du contraste de l'image</p> <p>ou</p> <p>##*la même valeur est définie. Ne faites rien.</p> <p>ou</p> <p>##* Paramètre entré incorrect ! La valeur doit se situer dans la fourchette 0-100</p>
RÉGLER LA LUMINOSITÉ	Définissez la valeur de la luminosité de l'image.	Aucun paramètre	##*VALEUR DE LA LUMINOSITÉ DE L'IMAGE : ...

DÉFINIR LA LUMINOSITÉ	Réglez la valeur de la luminosité de l'image.	n est un entier ($0 \leq n \leq 100$)	#* La valeur de la luminosité de l'image est fixée à n ou #* La même valeur est fixée. Ne faites rien. ou #* Paramètre entré incorrect ! La valeur doit se situer dans la fourchette 0-100
DÉFINITION DE LA NETTÉTÉ	Définissez la valeur de la netteté de l'image.	Aucun paramètre	#*VALEUR DE LA NETTÉTÉ DE L'IMAGE : ...
RÉGLAGE DE LA NETTÉTÉ	Réglez la valeur de la netteté de l'image.	n est un entier ($0 \leq n \leq 100$)	#* La valeur de la luminosité de l'image est fixée à n ou #* La même valeur est fixée. Ne faites rien. ou #* Paramètre entré incorrect ! La valeur doit se situer dans la fourchette 0-100
ZOOM IMAGE	Réglez le mode Zoom image.	n est une chaîne de caractères ou d'entiers (n = auto, 16:9, sous-titre, 14:9, 14:9 zoom, 4:3, full(uniquement pour les chaînes HD), cinéma) Client Christie => (n = émissions auto) Analyse de l'émission à la télévision	#* régler le mode zoom sur l'image () sur n ou #* Paramètre de mode de zoom de l'image incorrect entré
OBTENIR UN ZOOM SUR L'IMAGE	Obtenez le mode zoom de l'image.	Aucun paramètre	#* Le mode de zoom de l'image est ...
RÉGLER LA RÉDUCTION DU BRUIT	Réglez la réduction du bruit.	str-int n (n = ARRÊT), n = BAS, n = MOYEN, n = ÉLEVÉ)	#*Réduction sonore fixée à n ou #*Etat de réduction du bruit manquant
OBTENIR UNE RÉDUCTION DU BRUIT	Obtenez une réduction du bruit.	Aucun paramètre	#*La réduction du bruit est ...
AUGMENTATION DE LA LUMINOSITÉ	Augmentez le niveau de luminosité en une étape	Aucun paramètre	La valeur de la luminosité de l'image est réglée sur ... ou La valeur de luminosité de l'image est à sa valeur maximale. Vous ne pouvez pas augmenter davantage le niveau de luminosité.

DIMINUTION DE LA LUMINOSITÉ	Diminuez le niveau de luminosité en une étape	Aucun paramètre	La valeur de la luminosité de l'image est réglée sur ... ou La valeur de la luminosité de l'image est à la valeur minimale. Vous ne pouvez pas diminuer davantage le niveau de luminosité.
AUGMENTATION DU CONTRASTE	Augmentez le niveau de contraste en une étape	Aucun paramètre	La valeur de contraste de l'image est réglée sur ... ou La valeur de contraste de l'image est à sa valeur maximale. Vous ne pouvez pas augmenter davantage le niveau de contraste.
DIMINUTION DU CONTRASTE	Diminuez le niveau de contraste en une étape	Aucun paramètre	La valeur de contraste de l'image est réglée sur ... ou La valeur de contraste de l'image est à la valeur minimale. Vous ne pouvez pas diminuer davantage le niveau de contraste.
DÉFINIR LA MICROGRADATION	Définit la microgradation	str-int n (n = ARRÊT), n = BAS, n = MOYEN, n = ÉLEVÉ)	#* Définir le niveau de microgradation sur n ou #*Paramètre non valide. Définir le niveau de microgradation (DÉSACTIVÉ, BAS, MOYEN, ÉLEVÉ)
OBTENIR LE NIVEAU DE MICROGRADATION	Obtient le niveau de microgradation	Aucun paramètre	#*Niveau de microgradation :
FIXER LE CHANGEMENT DE COULEUR	Régler le changement de couleur.	int n (-50 <= n <= 50)	#*Le changement de couleur est réglé sur n ou #* La même valeur est fixée. Aucune opération. #*Paramètre incorrect entré ! La valeur doit se situer entre des fourchettes définies
OBTENIR UN CHANGEMENT DE COULEUR	Obtenir un changement de couleur.	Aucun paramètre	#*Le changement de couleur est ...
BALANCE DES BLANCS	Réglez la valeur de balance des blancs.	Le type et la valeur sont des chaînes de caractères ou des entiers (type = gain de rouge, gain de vert, gain de bleu, décalage de rouge, décalage de vert, décalage de bleu) (0 ≤ valeur ≤ 250)	#* Le solde des blancs est fixé à la valeur ou Valeur invalide pour la balance des blancs (0-255) ou Type invalide pour la balance des blancs

INCRÉMENTATION DE BALANCE DES BLANCS	Valeur d'incrément de balance des blancs de n.	Le type et n sont des chaînes de caractères ou des entiers (type = gain de rouge, gain de vert, gain de bleu, décalage de rouge, décalage de vert, décalage de bleu) ($0 \leq n \leq 250$)	#* Le solde des blancs est réglé sur ... ou Valeur invalide pour la balance des blancs (0-255) ou Type invalide pour la balance des blancs
DÉCRÉMENTATION DE BALANCE DES BLANCS	Valeur de décrémentation de balance des blancs de n.	Le type et n sont des chaînes de caractères ou des entiers (type = gain de rouge, gain de vert, gain de bleu, décalage de rouge, décalage de vert, décalage de bleu) ($0 \leq n \leq 250$)	#* Le solde des blancs est réglé sur ... ou Valeur invalide pour la balance des blancs (0-255) ou Type invalide pour la balance des blancs
DÉFINITION DE LA BALANCE DES BLANCS	Définissez la valeur de balance des blancs.	Le type est une chaîne de caractères ou un entier (type = gain de rouge, gain de vert, gain de bleu, décalage de rouge, décalage de vert, décalage de bleu)	#* type ...
HDR	Définir le mode HDR	n est une chaîne de caractères ou un entier (n = MARCHÉ, n = ARRÊT)	Le mode HDR est défini sur ou Paramètre non valide...
RÉGLAGE DU CONTRASTE DYNAMIQUE	Régler le contraste dynamique.	str-int n (n = ARRÊT), n = BAS, n = MOYEN, n = ÉLEVÉ)	#*La valeur du contraste dynamique est réglée sur n ou #*Paramètre non valide. Définir la valeur du contraste dynamique (DÉSACTIVÉ, BAS, MOYEN, ÉLEVÉ)
OBTENIR LA VALEUR DU CONTRASTE DYNAMIQUE	Obtenez un contraste dynamique.	Aucun paramètre	#*Le contraste dynamique est ...
RÉGLAGE DE L'ALIMENTATION GAMMA	Régler l'alimentation gamma	n est un entier (limites non clarifiées)	Le mode d'alimentation Gamma est défini sur n
OBTENIR LA VALEUR DE RÉGLAGE DU MODE D'ALIMENTATION GAMMA	Obtenir la valeur de réglage de l'alimentation gamma	Aucun paramètre	Le mode d'alimentation Gamma est ...
RÉGLAGE DU MODE GAMUT	Régler le mode gamut	n est un entier (limites non clarifiées)	Le mode de couleur Gamut est défini sur n
OBTENIR LA VALEUR DE RÉGLAGE DU MODE GAMUT	Obtenir la valeur de réglage du mode gamut	Aucun paramètre	Le mode de couleur Gamut est...

COMMANDES DE NAVIGATEUR

Commande	Description	Paramètre	Retour
OUVERTURE DE L'URL	Démarre l'URL fournie et retourne directement à l'état de chargement de la page d'accueil.	n est une chaîne de caractères ou un entier <load url='n' />	##*status= ... url=n
DÉFINITION DE L'URL	Définit l'URL de la page en cours si le portail est ouvert.	Aucun paramètre	##*URL : ...
PARAMÈTRES URL	Règle les paramètres URL du navigateur (l'adresse URL définie par la commande est ouverte en maintenant la touche CMS enfoncé)	chaîne	##*Les paramètres URL sont définis
RÉGLAGE DES PARAMÈTRES URL	Règle les paramètres URL du navigateur	Aucun paramètre	##*Les paramètres URL sont ...
DÉFINITION DE L'URL DE DÉMARRAGE	Définit l'URL de démarrage	chaîne	##*L'URL de démarrage est définie
DÉFINITION DE L'URL DE DÉMARRAGE	Définit l'URL de démarrage	Aucun paramètre	##*L'URL de démarrage est ...
DÉFINITION DE L'AGENT UTILISATEUR	Définit l'agent utilisateur du portail.	Aucun paramètre	##*Agent utilisateur actuel : ...
EFFACER CACHE	Efface le cache/les cookies (données de confidentialité telles que les formulaires Web)	Aucun paramètre	##*Les cookies du navigateur sont supprimés
CLEARBROWSERDATA	Supprimez les fichiers de données du navigateur, tels que l'historique, les signets, les raccourcis et la configuration	Aucun paramètre	##*Les fichiers de données du navigateur sont supprimés
GETCMSSTATUS	Définit l'état du CMS	Aucun paramètre	##*Procède à l'attribution des statuts cms à l'aide de la commande ATTRIBUER STATUT CMS or Retourne à la valeur de statut cms par défaut
SETCMSSTATUS	Définit l'état CMS	Paramètres de la longueur maximale d'une chaîne de 255 caractères	##*État du CMS réglé sur ... ou ##*NACK
GETCMSPARAMS	Définit les paramètres du CMS	Aucun paramètre	##*Procède à la définition des paramètres cms à l'aide de la commande SETCMS PARAMS. ou Retourne à la valeur de paramétrage cms
SETCMSPARAMS	Définit les paramètres du CMS	Paramètres de la longueur maximale d'une chaîne de 255 caractères	##*paramètres CMS réglés sur ... ou ##*NACK
CONFIGURER LE DÉBOGAGE DU NAVIGATEUR	Configure le port de débogage 4725 du navigateur	n est une chaîne de caractères (n = MARCHÉ, n = ARRÊT)	Le port de débogage 4725 du navigateur est activé ou Le port de débogage 4725 du navigateur est désactivé

SETBROWSECORS	Définissez le statut cors du navigateur pour activer ou désactiver les notifications de sécurité internet.	n est un entier (n = 0, 1)	<p>##*La fonction cors du navigateur est activée ou ##*la fonction cors du navigateur est désactivée ou ##*échec d'exécution de la fonction cors du navigateur *Le redémarrage est requis après l'exécution de la commande</p>
GETBROWSECORS	Obtient le statut cors du navigateur	Aucun paramètre	<p>##*La fonction cors du navigateur est activée ou ##*la fonction cors du navigateur est désactivée</p>

DÉPANNAGE

Problème	Résolution
Impossible de contrôler l'écran avec la télécommande	<ol style="list-style-type: none"> Vérifiez si du ruban a été placé sur le récepteur. Vérifiez s'il y a un obstacle entre l'écran et la télécommande. Remplacez les deux piles par de nouvelles.
Aucun affichage d'image et aucun son n'est produit	<ol style="list-style-type: none"> Vérifiez si le téléviseur est allumé. Vérifiez si le cordon d'alimentation est raccordé à la prise murale. Vérifiez s'il y a un problème dans la prise murale en branchant d'autres appareils.
L'écran s'éteint soudainement	<ol style="list-style-type: none"> Vérifiez les paramètres de contrôle de l'alimentation. L'alimentation peut être interrompue. Vérifiez si la fonction d'arrêt automatique est activée. Voir Paramètres du planificateur, page 60. S'il n'y a pas de signal lorsque l'écran s'éteint automatiquement après 15 minutes d'inactivité.
Lors de la connexion à l'ordinateur portable (HDMI), aucun signal n'est détecté	<p>Éteignez/allumez l'écran à l'aide de la télécommande</p> <ol style="list-style-type: none"> Reconnectez le câble HDMI. Redémarrer l'ordinateur portable avec l'écran allumé.

DÉCLARATION SUR LE BROUILLAGE RADIOÉLECTRIQUE DE LA FCC

Cet appareil a été testé et il a été découvert qu'il respecte les limites d'un appareil numérique de classe B, conformément au chapitre 15 des règles de la FCC. Ces limites ont été conçues dans le but d'apporter une protection raisonnable contre les interférences dangereuses susceptibles d'être rencontrées dans une installation résidentielle. Cet appareil génère, utilise, et peut dégager une énergie de fréquence radio et, s'il n'est pas installé et utilisé conformément aux instructions, peut provoquer une interférence dangereuse dans les communications radio. Cependant, il n'existe pas de garantie que les interférences ne surviennent pas dans une installation particulière.

Si cet appareil ne provoque pas d'interférence dangereuse sur la réception radio ou télé, ce qui peut être déterminé en allumant et en éteignant l'appareil, l'utilisateur est encouragé à essayer de corriger l'interférence grâce à l'une des mesures suivantes :

- Réorienter ou relocaliser l'antenne de réception.
- Renforcer l'espace entre l'appareil et le récepteur.
- L'appareil à une sortie sur un circuit différent de celui auquel le récepteur est branché.
- Consultez le fournisseur ou un technicien radio/TV qualifié pour obtenir de l'aide.

Mise en garde de la FCC : Tout changement ou toute modification non expressément approuvé(e) par la partie responsable de la conformité pourrait annuler l'autorité de l'utilisateur à faire fonctionner l'appareil.

Cet appareil est conforme au chapitre 15 des règles de la FCC. Le fonctionnement est soumis aux deux conditions suivantes : (1) Cet appareil ne provoque pas d'interférences dangereuses, et (2) cet appareil doit supporter toute interférence extérieure, notamment les interférences susceptibles d'affecter son fonctionnement.

Pour les produits disponibles sur les marchés américains / canadiens, seules les chaînes 1-11 peuvent être fonctionnelles. Il vous est impossible de sélectionner d'autres chaînes.

REMARQUE IMPORTANTE

Énoncé de la FCC sur l'exposition aux rayonnements

Cet appareil est conforme aux limites d'exposition aux rayonnements définies par la FCC dans un environnement non contrôlé. Cet appareil doit être installé et utilisé en conservant une distance minimale de 20 centimètres entre le radiateur et vous.

NOTIFICATION DE LICENCE

Les termes HDMI, HDMI High-Definition Multimedia Interface, HDMI trade dress et les logos HDMI sont des marques ou des marques déposées de HDMI Licensing Administrator, Inc.



Fabriqué sous licence de Dolby Laboratoires

Dolby, Dolby Audio, et le symbole du double D sont des marques déposées de Dolby Laboratories Licensing Corporation.

La marque verbale et les logos Bluetooth® sont des marques déposées appartenant à Bluetooth SIG, Inc. et toute utilisation de ces marques par AVARRO est sous licence. Les autres marques et noms sont ceux de leurs propriétaires respectifs.

Ce produit est protégé par certains droits de propriété intellectuelle de Microsoft Corporation. L'utilisation ou la distribution d'une telle technologie en dehors de ce produit est interdite sans une licence de Microsoft ou d'une filiale Microsoft agréée.

GARANTIE

1. Garantie limitée

a. Généralités

Sous réserve des termes et conditions de cette garantie limitée, à partir de la date de vente et pendant la période de temps pour les catégories de produits spécifiées dans la Section 1(b), ADI garantit que les produits de marque AVARRO sont exempts de défauts de matériaux et de fabrication dans le cadre d'une utilisation et d'un service normal, à l'exception de l'usure normale. Sauf si la loi l'exige, cette garantie limitée est uniquement faite à l'acheteur et ne peut pas être transférée à un tiers.

ADI n'a aucune obligation en vertu de la présente garantie limitée ou autrement si :

- (i) Le produit est mal installé, appliqué ou entretenu (p. ex., fiche endommagée, câbles d'alimentation)
- (ii) Le produit est installé en dehors des paramètres de fonctionnement indiqués, des services modifiés ou mal réparés, des dommages mécaniques et esthétiques, des ouvertures non autorisées, des pièces de rechange non autorisées utilisées.
- (iii) Les dommages sont causés par des événements naturels extérieurs, tels que la foudre, les surtensions, les incendies, les inondations, les actes de la nature, etc.
- (iv) Les défauts résultant d'une modification non autorisée, d'une mauvaise utilisation, d'un acte de vandalisme, d'une exposition à des paramètres de température non conformes aux spécifications ou d'autres causes non liées à des défauts de matériaux ou de fabrication, ou les défauts liés aux batteries de tout type utilisées en relation avec les produits vendus dans le cadre de la présente directive.

En outre, dans le cas où les instructions d'utilisation n'ont pas été correctement appliquées, il est facile de vérifier les dommages dus à une force externe appliquée sur le produit.

- (v) Absence de défaut ou cas non techniques : Les problèmes qui sont vérifiés non techniques dus au produit lui-même. Exemple : problèmes survenus en raison de périphériques externes.
- (vi) Numéros de série erronés/manquants/numéros de série répétés dans les 90 jours avec le même échec.

ADI garantit uniquement les produits de marque AVARRO et vendus par ADI. Tous les autres produits de marque de tiers sont garantis par le fabricant tiers pour une période définie par le fabricant tiers, et ADI attribue à l'Acheteur ces garanties et uniquement les garanties étendues par ces fabricants ou vendeurs tiers pour les produits de marque ADI. ADI ne garantit pas elle-même un produit de marque non ADI et ne vend que sur la base des conditions de vente d'ADI.

b. Les garanties spécifiques pour les catégories de produits sont les suivantes :

Catégories de produits	Période de garantie
Affichages	3 ans

2. EXCLUSION DE GARANTIES, LIMITATION DE RESPONSABILITÉ

IL N'EXISTE AUCUNE GARANTIE OU CONDITION, EXPRESSE OU IMPLICITE, DE COMMERCIALITÉ, D'ADÉQUATION À UN USAGE PARTICULIER OU AUTRE, QUI S'ÉTENDE AU-DELÀ DE LA DESCRIPTION FIGURANT AU RECTO DU PRÉSENT DOCUMENT. DANS TOUTE LA MESURE PERMISE PAR LA LOI, ADI NE SERA EN AUCUN CAS RESPONSABLE ENVERS QUICONQUE DE TOUT (I) DOMMAGE CONSÉCUTIF, ACCIDENTEL, INDIRECT, SPÉCIAL OU PUNITIF DÉCOULANT DE OU LIÉ DE QUELQUE MANIÈRE QUE CE SOIT AU PRODUIT ET À LA GARANTIE, OU DE LA VIOLATION DE CETTE GARANTIE OU DE TOUTE AUTRE GARANTIE OU CONDITION, EXPRESSE OU IMPLICITE, OU SUR TOUTE AUTRE BASE DE RESPONSABILITÉ QUELLE QU'ELLE SOIT, MÊME SI LA PERTE OU LE DOMMAGE EST CAUSÉ PAR LA NÉGLIGENCE OU LA FAUTE D'ADI ET MÊME SI ADI A ÉTÉ INFORMÉ DE LA POSSIBILITÉ DE TELLES PERTES OU DE TELS DOMMAGES. Toute description de produit (qu'elle soit écrite ou faite oralement par ADI ou les agents d'ADI), toute spécification, tout échantillon, tout modèle, tout bulletin, tout dessin, tout diagramme, toute fiche technique ou tout autre matériel similaire utilisé dans le cadre de la commande de l'Acheteur a pour seul but d'identifier les produits d'ADI et ne doit pas être interprété comme une garantie ou une condition expresse. Toute suggestion d'ADI ou des agents d'ADI concernant l'utilisation, les applications ou l'adéquation des produits ne doit pas être interprétée comme une garantie ou une condition expresse, à moins qu'elle ne soit confirmée par écrit par ADI. ADI ne garantit pas que les produits qu'elle vend ne peuvent pas être compromis ou contournés, que les produits empêcheront tout dommage corporel ou matériel par cambriolage, vol, incendie ou autre,

ou que les produits fourniront dans tous les cas un avertissement ou une protection adéquats. L'acheteur comprend et fera comprendre à ses clients qu'un produit correctement installé et entretenu ne constitue pas une assurance ou une garantie qu'il ne causera pas ou n'entraînera pas de dommages corporels ou matériels. **PAR CONSÉQUENT, ADI N'EST PAS RESPONSABLE DES BLESSURES CORPORELLES, DES DOMMAGES MATÉRIELS OU DE TOUTE AUTRE PERTE FONDÉE SUR UNE QUELCONQUE RÉCLAMATION, Y COMPRIS UNE RÉCLAMATION SELON LAQUELLE LE PRODUIT N'A PAS DONNÉ D'AVERTISSEMENT.** Toutefois, si ADI est tenue responsable, directement ou indirectement, de toute perte ou de tout dommage concernant les produits qu'elle vend, quelle qu'en soit la cause ou l'origine, sa responsabilité maximale ne pourra en aucun cas excéder le prix d'achat du produit, qui sera fixé à titre de dommages-intérêts liquidés et non de pénalité et constituera le recours complet et exclusif à l'encontre d'ADI.

3. Limitation de la responsabilité à l'égard des clients de l'Acheteur.

L'Acheteur accepte de limiter sa responsabilité à l'égard de ses clients dans toute la mesure permise par la loi. L'Acheteur reconnaît qu'ADI ne sera réputée donner aux consommateurs de ses produits que les garanties statutaires requises par la loi et qu'à aucun moment l'Acheteur ne devra déclarer à ses clients et/ou utilisateurs des produits ADI qu'ADI fournit des garanties supplémentaires. En acceptant les produits, dans toute la mesure permise par la loi, l'Acheteur assume toute responsabilité pour, et accepte d'indemniser et de tenir ADI à l'écart et de défendre ADI contre, tout procès, réclamation, demande, cause d'action et jugement relatif à des dommages, que ce soit pour des blessures personnelles ou des biens personnels, subis par toute personne, entreprise, personne, entreprise, société ou association commerciale, y compris, mais sans s'y limiter, les clients de l'Acheteur et/ou les utilisateurs des produits en raison de toute défaillance des produits à détecter et/ou à avertir du danger pour lequel les biens ont été conçus ou de tout autre défaut des produits, que ces dommages soient ou non causés ou favorisés par la négligence ou la faute d'ADI, qu'elle soit conjointe ou concomitante.

4. Retours

Sous réserve des termes et conditions énumérés ci-dessous, pendant la période de garantie applicable, ADI remplacera le Produit ou fournira un crédit à l'achat, à sa seule discrétion et sans frais, pour tout produit défectueux retourné en port payé. Toute obligation d'ADI de remplacer les produits couverts par la garantie à vie limitée conformément à cette garantie et résultant d'un défaut est limitée à la disponibilité d'un produit de remplacement. ADI se réserve le droit de remplacer ces produits par les produits actuellement disponibles, ou d'accorder un crédit à sa seule discrétion. Dans le cas où l'Acheteur aurait un problème avec un produit ADI, veuillez contacter votre agence ADI locale pour obtenir des instructions relatives au retour :

Pour les États-Unis, appelez le 1-800-233-6261

Pour le Canada, appelez le 877-234-7378

Pour Porto Rico, appelez le 787-793-8830

Assurez-vous d'avoir le numéro de modèle et la nature du problème disponibles. En cas de remplacement, le produit retourné sera crédité sur le compte de l'Acheteur et une nouvelle facture sera émise pour l'article de remplacement. ADI se réserve le droit d'émettre un crédit uniquement au lieu du remplacement.

Si des produits de marque AVARRO sont trouvés en bon état de fonctionnement ou si l'incapacité de ce produit à fonctionner correctement est le résultat de dommages ou d'abus de l'utilisateur, le produit sera retourné à l'acheteur dans le même état que reçu et l'Acheteur sera responsable de tout changement de fret de retour.

5. Droit applicable

Les lois de l'État de New York s'appliquent à la présente garantie limitée.

6. Divers

Si l'une des conditions de la présente Garantie limitée est interdite par ces lois, elle sera nulle et non avenue, mais le reste de la Garantie limitée restera pleinement en vigueur.