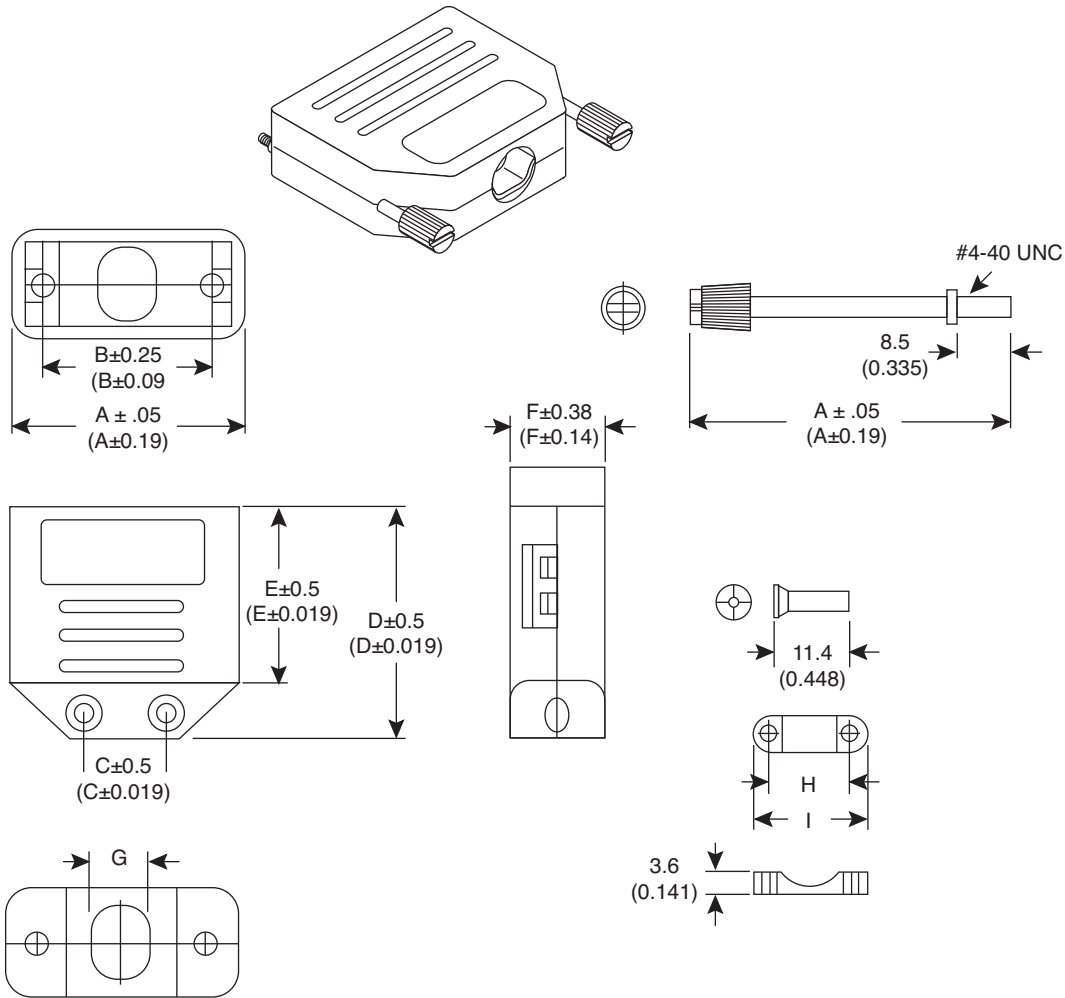


D-Sub Connector Hoods

CD-DPH9R



Dimensions: mm (in.) (except where noted)

| Shell Size | Dimensions: mm | | | | | | | | |
|------------|----------------|-------|----|------|------|------|-----|----|----|
| | A | B | C | D | E | F | G | H | I |
| DB9 | 33.8 | 24.99 | 12 | 33.3 | 24.6 | 14 | 8.5 | 12 | 17 |
| DB15 | 42.2 | 33.32 | 16 | 32.8 | 12.6 | 14.5 | 9.5 | 16 | 21 |

| SPECIFICATIONS | |
|------------------------------------|--|
| Type: | One piece, hinged, unshielded with side snap locks |
| Cover/Clamp: | Polyporpylene |
| Screws: | Steel |
| Color: | Black |
| RoHS Compliant by Exemption | |

Date Last Revised: 6-9-09

Available from BTX Technologies, Inc.
1-800-666-0996 / www.btx.com

KC-301358