

H624 - Heckler Camera Shelf

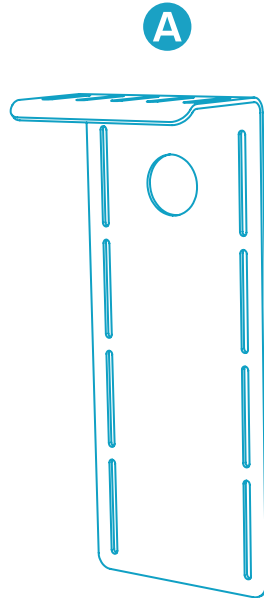
for Monitor Arms



Designed & made in Arizona
Patented

IN THE BOX

- A** 1 x Heckler Camera Shelf
- B** 4 x M4 assembly screws
- C** 2 x 1/4"-20 mounting screws
- D** 4 x Mounting spacers



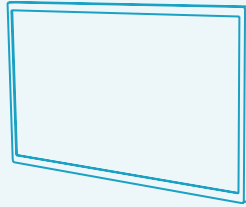
If you have any questions, please contact
service@hecklerdesign.com.

TOOLS NEEDED

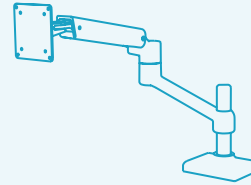


Philips-head
Screw Driver

COMPONENTS NEEDED (Not Included)



Display



Monitor Arm with
VESA 100 Compatibility



Tripod Head (Optional)



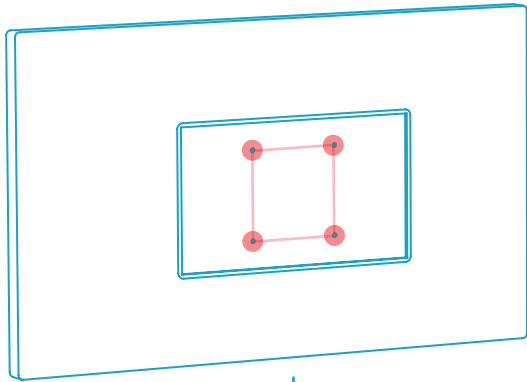
Camera or Webcam



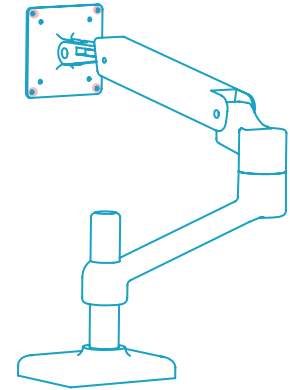
Light

STEP 1

Prep your gear.



Expose the mounting holes on your display. Test fit the supplied M4 screws to ensure compatibility.

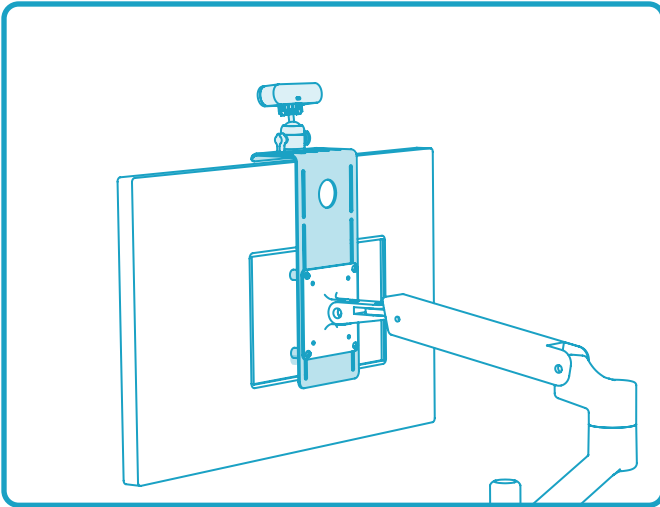


Check your monitor arm for VESA 100 compatibility.

STEP 2

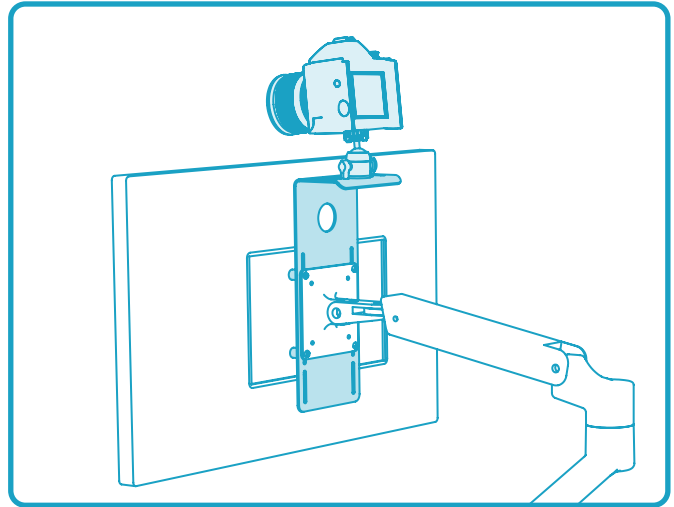
Decide to install your Camera Shelf facing forward or backward.

A Camera Shelf facing forward



The forward position is ideal when mounting smaller cameras such as Logitech BRIO and Huddly IQ.

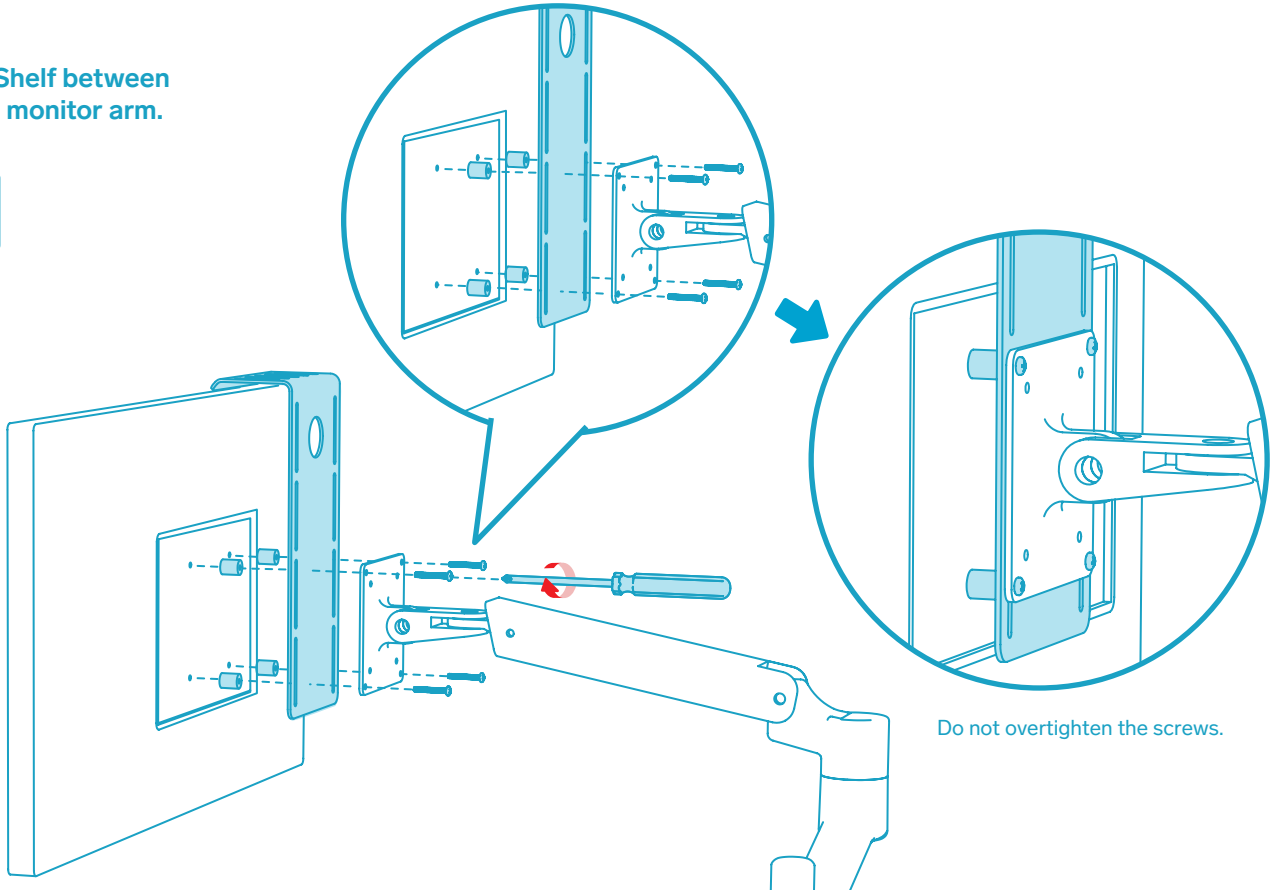
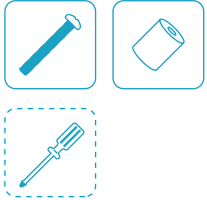
B Camera Shelf facing backward



The backward position is ideal for mounting cameras with long lenses.

STEP 3

Fasten Camera Shelf between
your display and monitor arm.



Do not overtighten the screws.

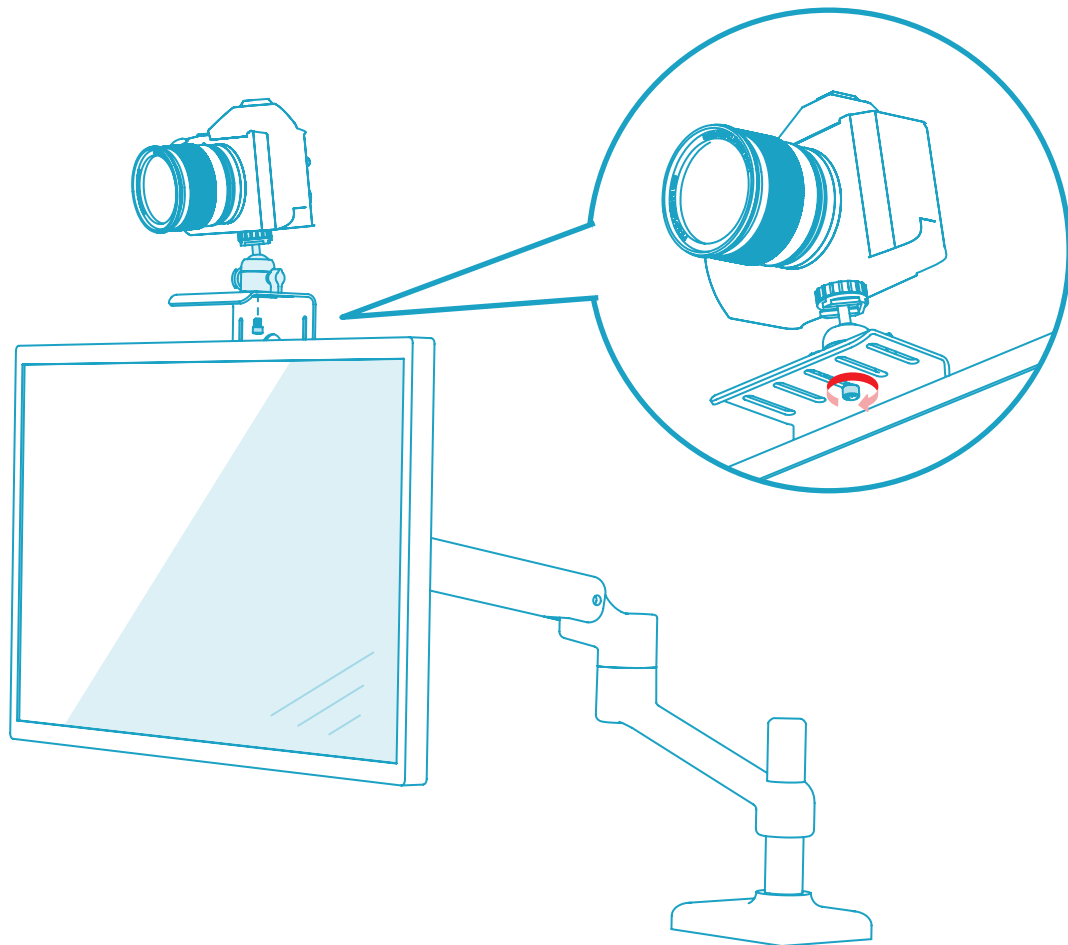
STEP 4

Install cameras, lights,
and other gear.



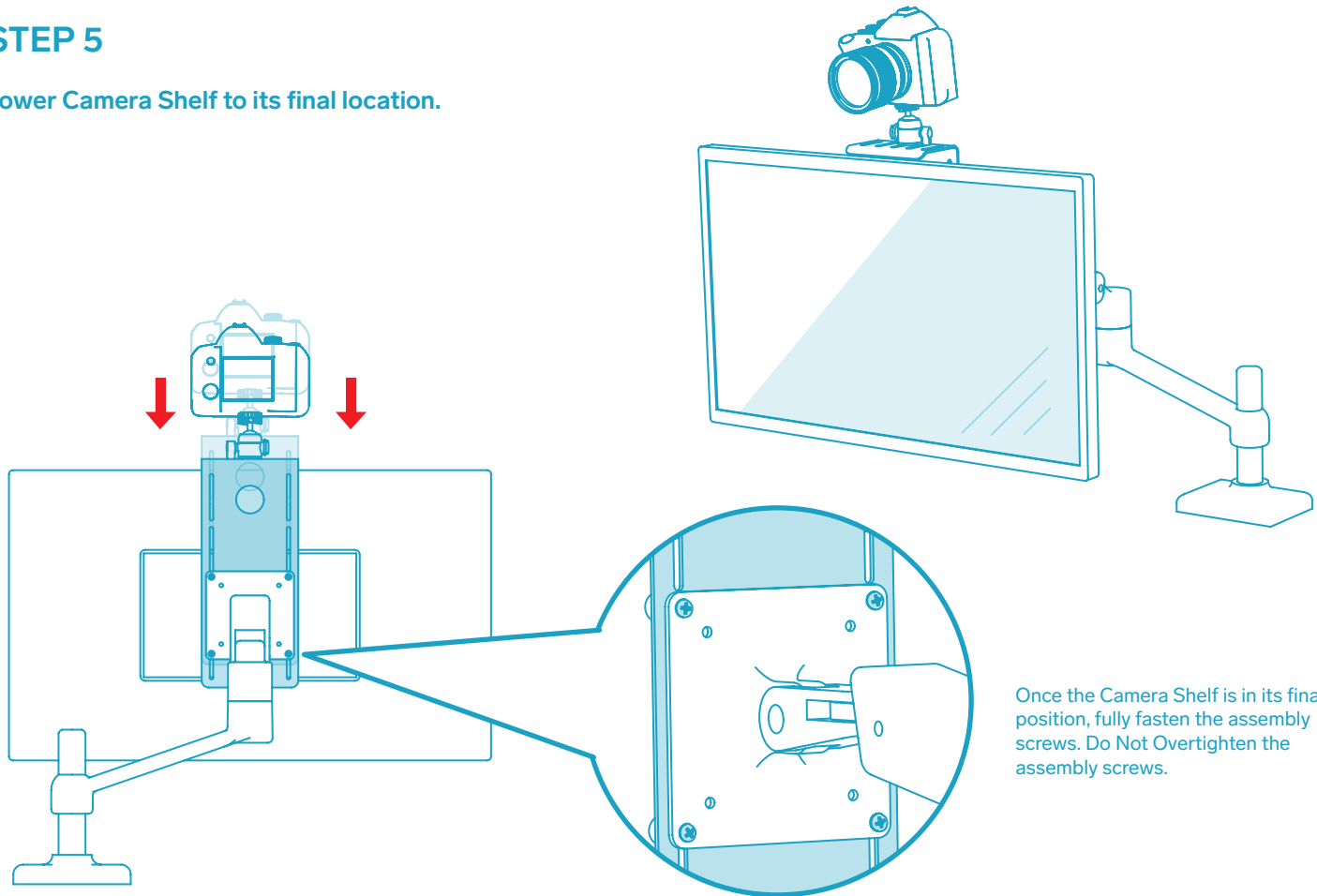
Hint: Loosen the assembly screws
to enable you to slide the Camera
Shelf upward to gain access to
camera-mounting screws.

Tip: Small tripod heads
(sold separately) are ideal
for positioning your camera
and lights.



STEP 5

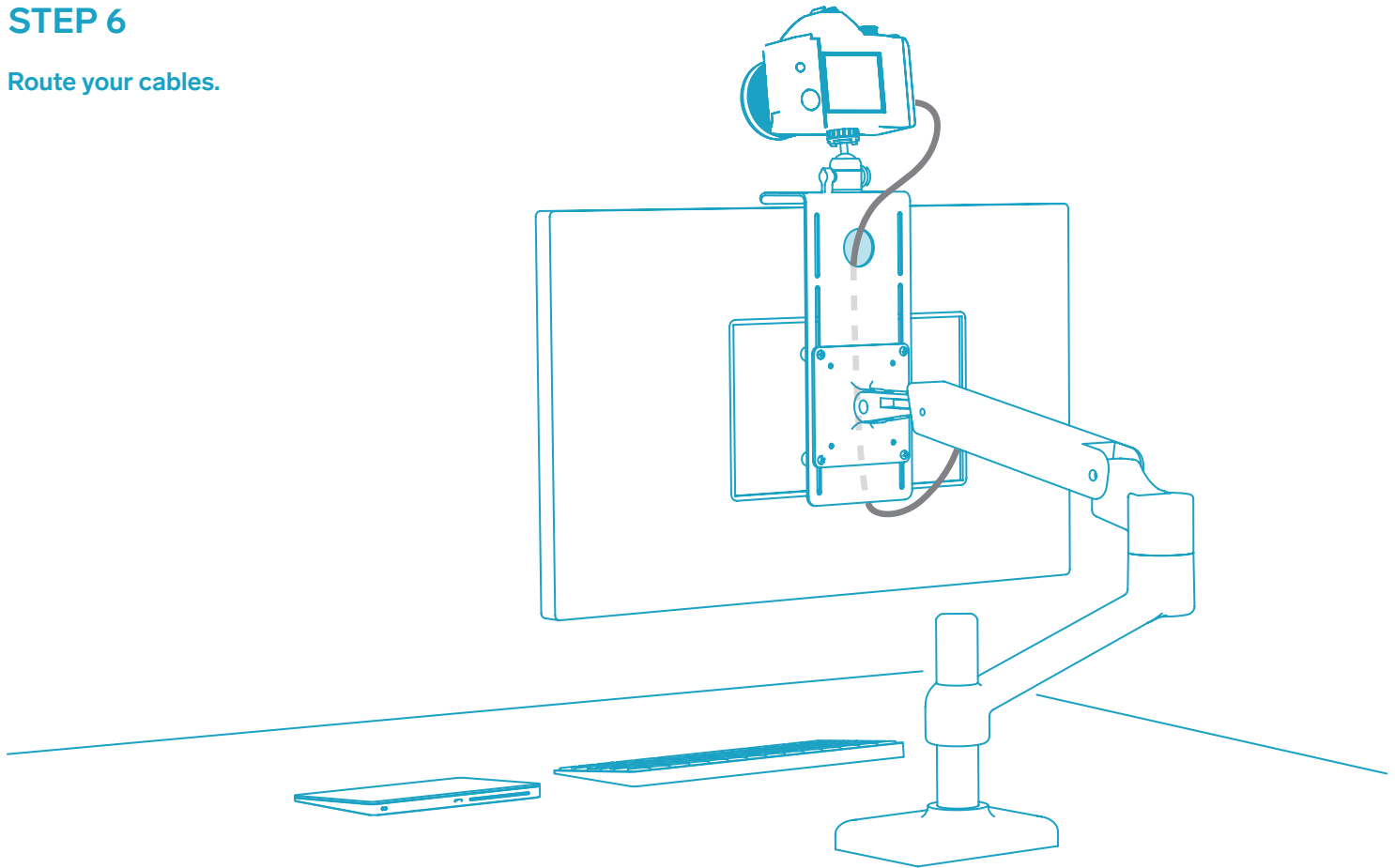
Lower Camera Shelf to its final location.



Once the Camera Shelf is in its final position, fully fasten the assembly screws. Do Not Overtighten the assembly screws.

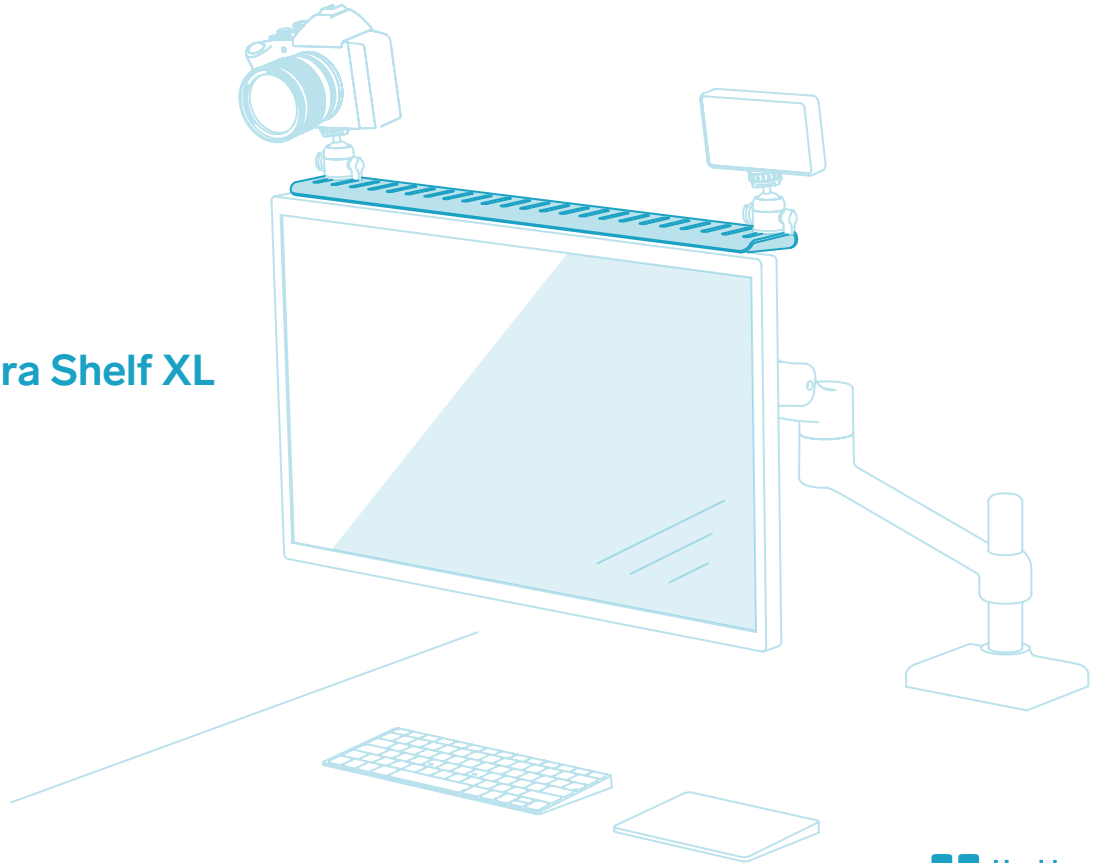
STEP 6

Route your cables.

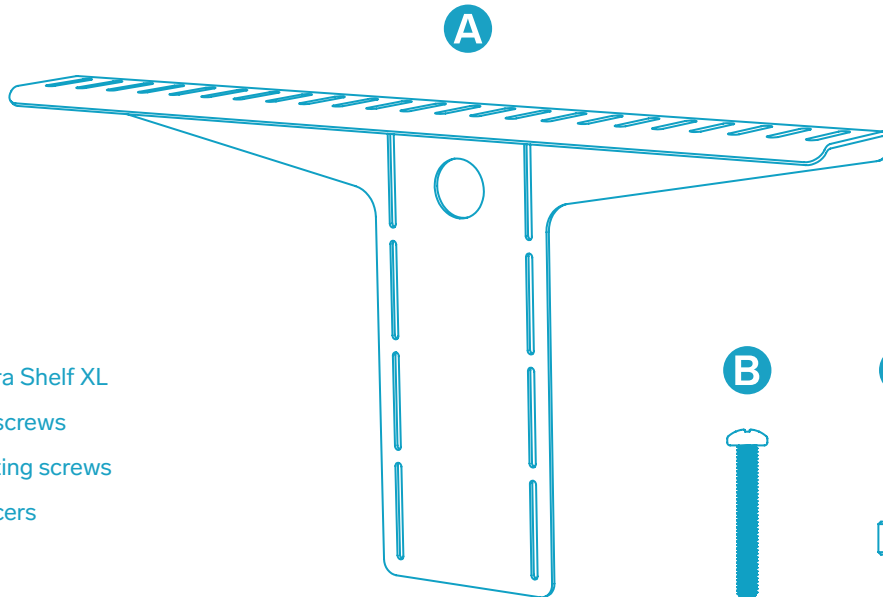


H625 - Heckler Camera Shelf XL

for Monitor Arms



Designed & made in Arizona
Patented



IN THE BOX

- A** 1 x Heckler Camera Shelf XL
- B** 4 x M4 assembly screws
- C** 2 x 1/4"-20 mounting screws
- D** 4 x Mounting spacers

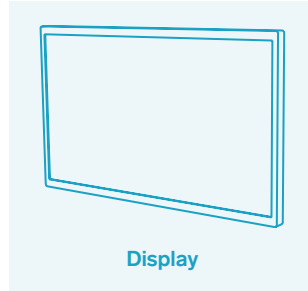
If you have any questions, please contact
service@hecklerdesign.com.

TOOLS NEEDED



Philips-head
Screw Driver

COMPONENTS NEEDED (Not Included)



Display



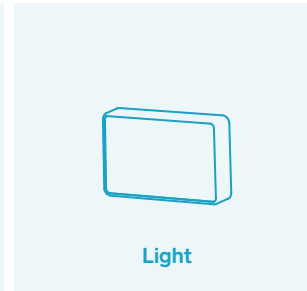
Monitor Arm with
VESA 100 Compatibility



Tripod Head (Optional)



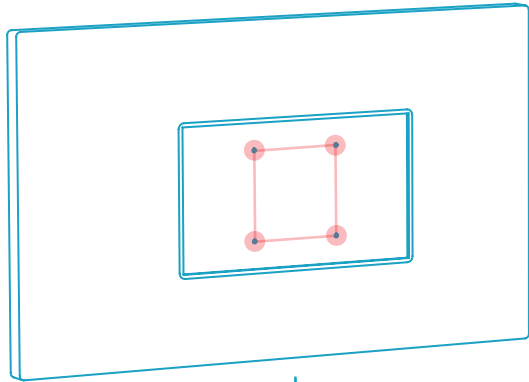
Camera or Webcam



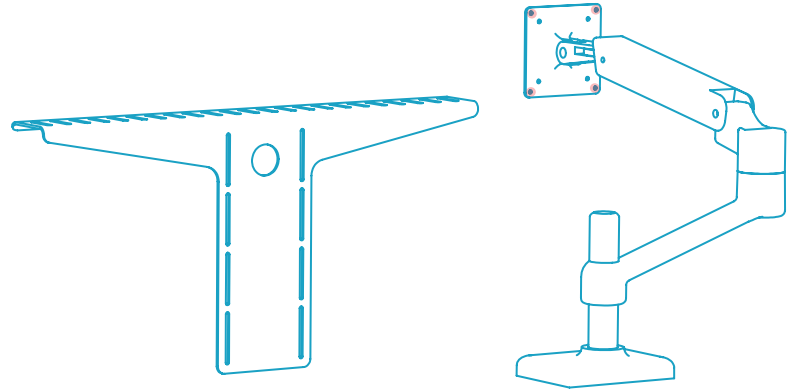
Light

STEP 1

Prep your gears.



Expose the mounting holes on your display. Test fit the supplied M4 screws to ensure compatibility.

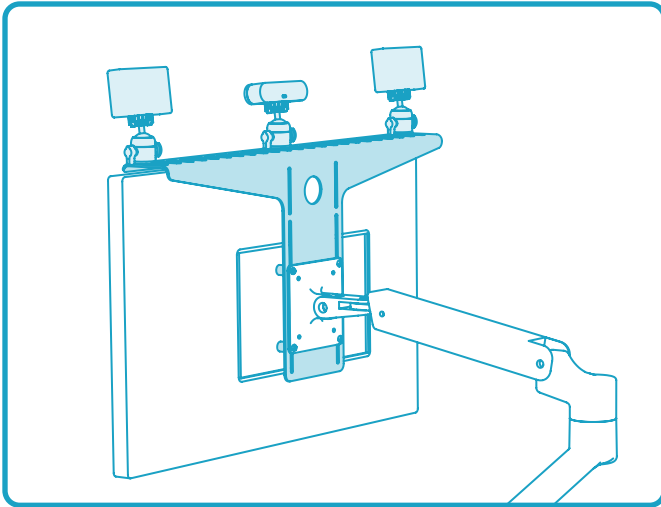


Check your monitor arm for VESA 100 compatibility.

STEP 2

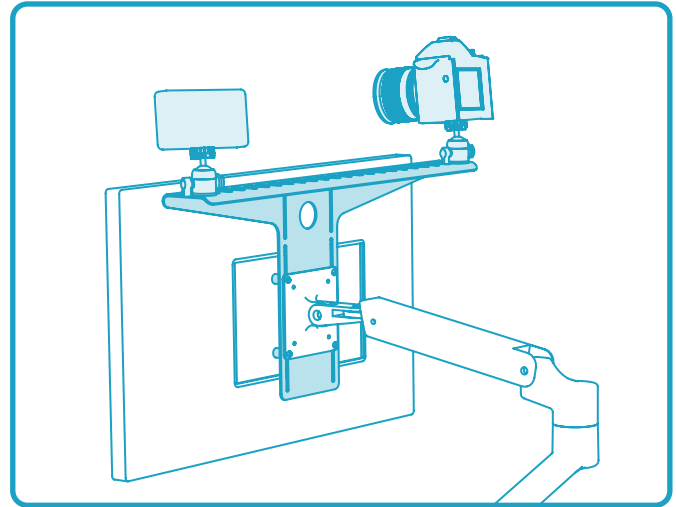
Decide to install your Camera Shelf facing forward or backward.

A Camera Shelf facing forward



The forward position is ideal when mounting smaller cameras such as Logitech BRIO and Huddly IQ.

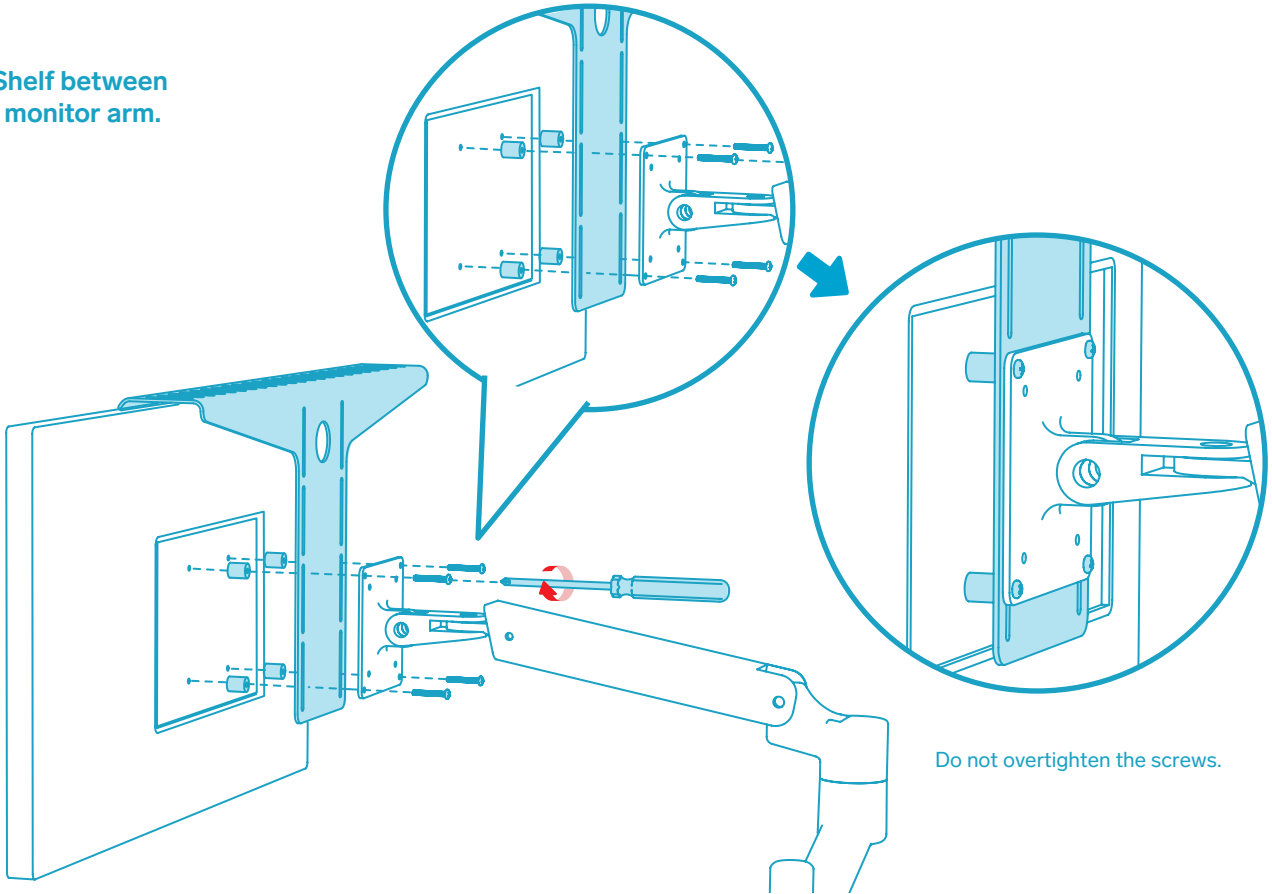
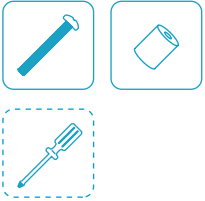
B Camera Shelf facing backward



The backward position is ideal for mounting cameras with long lenses.

STEP 3

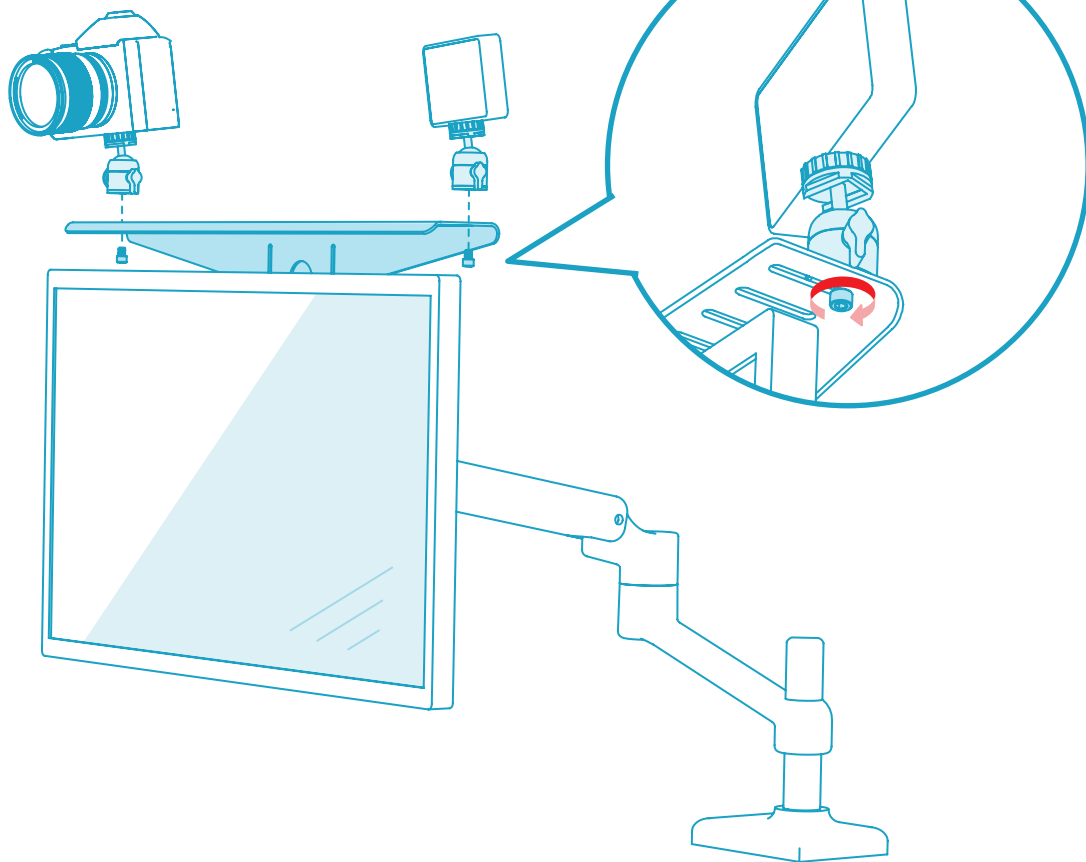
Fasten Camera Shelf between
your display and monitor arm.



Do not overtighten the screws.

STEP 4

Install cameras, lights,
and other gear.

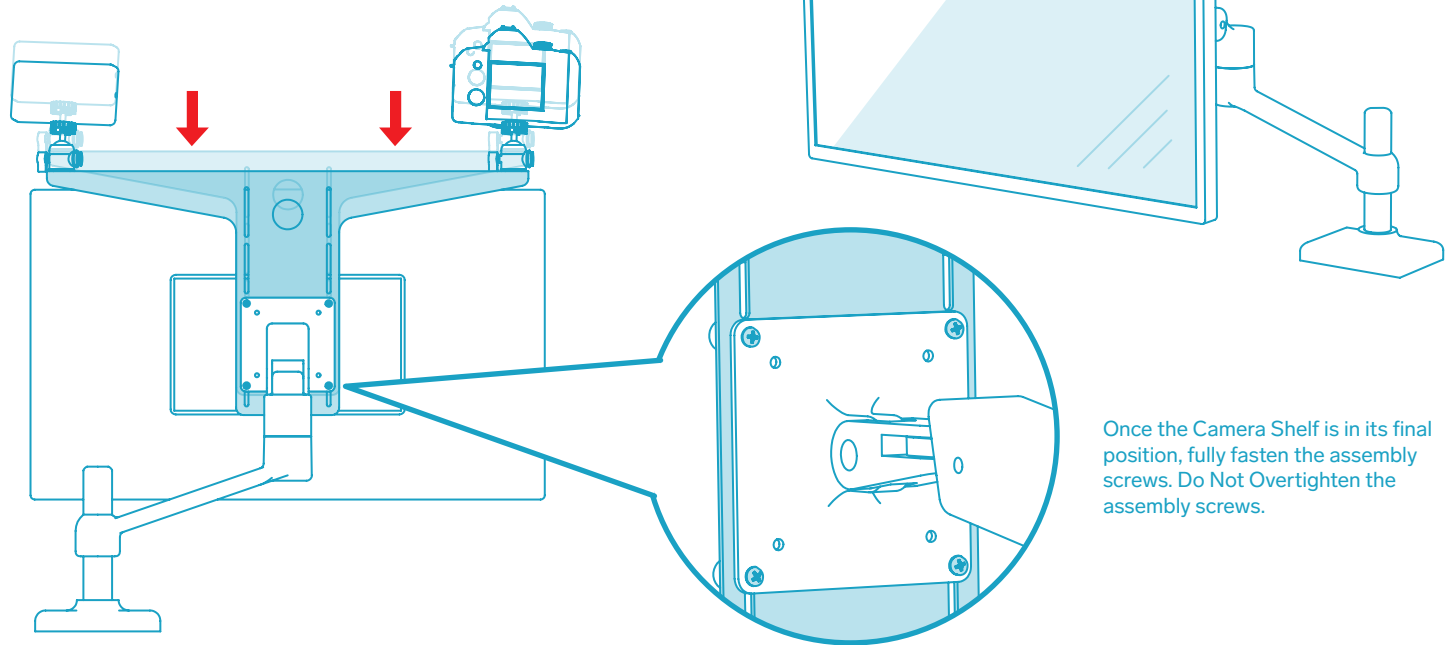


Hint: Loosen the assembly screws
to enable you to slide the Camera
Shelf upward to gain access to
camera-mounting screws.

Tip: Small tripod heads
(sold separately) are ideal
for positioning your camera
and lights.

STEP 5

Lower Camera Shelf to its final location



Once the Camera Shelf is in its final position, fully fasten the assembly screws. Do Not Overtighten the assembly screws.

STEP 6

Route your cables.

