

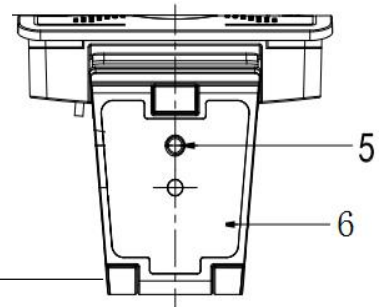
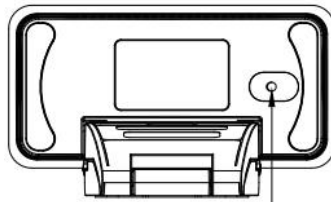
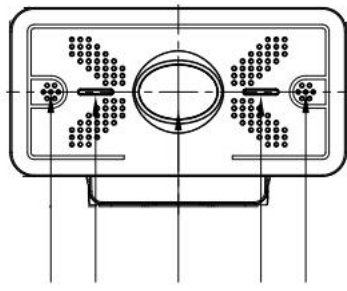
## MIN-MG101 Desktop HD Camera

The MIN-MG101 series camera offers perfect functions, superior performance. The features include advanced ISP processing algorithms to provide vivid images with a strong sense of depth, high resolution, and fantastic color rendition. Working stably and reliably; easy and convenient to install and maintain.



### Key Features:

- **Wide FOV:** MG101 adopts 80° large wide angle and low distortion lens
- **Superb High-definition Image:** MG101 employs 1/2.9 inch 2.07 megapixel high quality CMOS sensor. Resolution is up to 1920x1080 with frame rate up to 30fps.
- **Low Noise and High SNR:** Low Noise CMOS effectively ensure high SNR of camera video.
- **Multiple Video Compression:** Support H.264/, MJPEG, YUV video compression, to made video play smoothly.
- **Stereo sound:** Built-in pick-up to present clear stereo sound effect, no need to connect external device.
- **USB2.0 interface:** Plug and play function is better for power supply and upgrading;
- **Multiple installation:** Free to install and place. The camera comes with fixing clamp which enable camera to be installed on LCD screen and top of the laptop easily. User can also put it on the table or on tripod.
- **Wide Application:** Personal video conferencing, live video conference, collaboration meeting etc
- **Convenient to operate:** No need to download driving device, see as below:



1. Lens (auto focus)

2 3

4

3. Indicator light

2. Audio in (built-in pick-up)

5. Bracket installation hole

4. USB2.0 output hole

5. Fixation clamp

## Technical Specification:

Camera Parameter	
Sensor	1/2.9 inch high quality HD CMOS sensor
Effective Pixels	16: 9 2.07 megapixels
Video Format	960x540/320x180/432x240/640x360/800x448/800x600/864x480/960x720/1024x576/1280x720/1600x896/1920x1080/272x144/368x208/384x216/480x272/624x352/912x512/424x240/640x480/320x240/160x120/P30
Digital zoom	X10
View Angle(D/H/V)	88°/ 80°/52°
Minimum Illumination	0.5Lux(F1.8, AGC ON)
Focus	3.24mm
Aperture	F2.1
Backlight contrast	On/off
Exposure	Exposure parameter could be adjusted; Support auto exposure
Video Adjustment	Brightness, Color, Saturation, Contrast, White balance mode, Gain, Anti-flicker, Low brightness compensation etc.
SNR	>50dB

Input/Output Interface	
Video Interfaces	USB2.0(power supply, upgrading available)
Video Compression Format	H.264,YUV, MJPEG
Audio Input Interface	Built in omnidirectional high sensitive digital pickup

Other Parameter	
Input Voltage	5V
Input Current	500mA(Max.)
Power consumption	2.5W
Storage Temperature, Humidity	-10℃ ~ +60℃, 20% ~ 95%
Working Temperature, Humidity	-10℃ ~ +50℃, 20% ~ 80%
Dimension(WXHXD)	112mm*65mm*93mm
Weight (appx.)	0.25kg
Using environment	Indoor
Accessory	User Manual, Warranty card

Dimension(unit: mm)

