

UV510A series NDI HD Video Conference Camera

Full HD, Wide View Angle, Multi-protocols, Multiple Video Interfaces

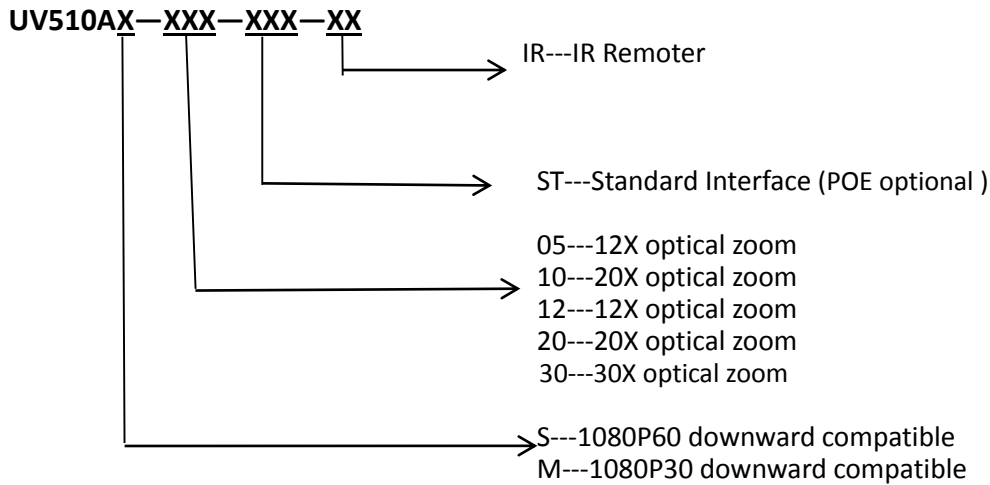
The UV510A series camera offers perfect functions, superior performance, and rich interfaces. The features include advanced ISP processing algorithms to provide vivid images with a strong sense of depth, high resolution, and fantastic color rendition. It supports H.264/H.264+ encoding, making motion video fluent and clear even under less than ideal bandwidth conditions.



Key Features

- **Superb High-definition Image**
UV510A employs **1/2.8 inch** high quality CMOS sensor. Resolution is up to 1920x1080 with frame rate up to 60fps.
- **Leading Auto Focus Technology**
Leading auto focus algorithm makes lens a fast, accurate and stable auto-focusing.
- **Low Noise and High SNR**
Low Noise CMOS effectively ensure high SNR of camera video. Advanced 2D/3D noise reduction technology is also used to further reduce the noise, while ensuring image sharpness.
- **Audio Input Interface (for future development)**
Support 16000, 32000, 44100, 48000 sampling frequency and AAC, MP3, PCM audio coding.
- **Wide-range, Quiet and Quick Pan/Tilt Mechanism**
By adopting step driving motor mechanism, UV510A camera works extremely quiet and moves smoothly.
- **Multiple Audio/Video Compression**
Support H.264/H.264+ video compression; AAC, MP3 and PCM audio compression; Support compression of resolution up to 1920x1080 with frame up to 60fps and 2 channel 1920x1080p with 30fps compression.
- **Multiple Network Protocol**
Support **NDI**, ONVIF, RTSP, RTMP protocols and support RTMP push mode, easy to link streaming media server (Wowza, FMS)
- **RS-232 Cascade Function**
Support RS-232 cascade function which is convenient for installation.
- **Wide Application**
Tele-education, Lecture Capture, Webcasting, Videoconferencing, Tele-training, Tele-medicine, Interrogation and Emergency command systems.
- **Low-power Sleep Function**
Support low-power sleep/wake up, the consumption is lower than 400mW under sleep mode.

Order No.



Technical Specification

Model	UV510A-05	UV510A-10	UV510A-12	UV510A-20	UV510A-30
Camera Parameter					
Optical Zoom	5X f=3.6~15.5mm	10X f=4.7~47mm	12X f=3.9~46.8mm	20X f=5.2~110mm	30X f=4.3~129mm
Sensor	1/2.8 inch high quality HD CMOS sensor				
Effective Pixels	16: 9, 2.07 megapixel				
Video Format	SDI video format 1080P60/50/30/25/59.94/29.97; 1080I60/50/59.94; 720P60/50/30/25/59.94/29.97				
View Angle	20°(tele) 83.7°(wide)	6.43°(tele) 60.9°(wide)	6.3°(tele) 72.5°(wide)	3.3°(tele) 54.7°(wide)	2.34°(tele) 65.1°(wide)
AV	F1.6 – F3.0	F1.6 – F3.0	F1.8 – F2.4	F1.6 – F3.5	F1.6– F4.7
Digital Zoom	10X				
Minimum Illumination	0.1Lux				
DNR	2D & 3D DNR				
White Balance	Auto / Manual/ One Push/ 3000K/ 4000K/5000K/6500K				
Focus/Aperture/Electronic Shutter	Auto/Manual				
BLC	ON/OFF				
WDR	OFF/ Dynamic level adjustment				
Video Adjustment	Brightness, Color, Saturation, Contrast, Sharpness, B/W mode, Gamma curve				
SNR	>55dB				
Input/Output Interface					
Video Interfaces	UV510A-NDI model: SDI, HDMI, LAN(NDI),RS232(In & Out), RS485, A-IN				
Video Compression	H.264, H.264+, Dual stream output				



Format	
Control Protocol	VISCA/Pelco-D/Pelco-P; Baud Rate:115200/9600/4800/2400bps
Audio Input Interface	Double track 3.5mm linear input
Audio Compression Format	AAC/MP3/PCM Audio compression
HD IP Interface	100M IP Port(100BASE-TX); Support VISCA protocol control through IP port.
Network Protocol	RTSP, RTMP, ONVIF, GB/T28181, NDI
Power Interface	HEC3800 Outlet (DC12V)
PTZ Parameter	
Pan/TiltRotation	±170°,-30°~+90°
Pan Control Speed	0.1 -60°/sec
Tilt Control Speed	0.1-30°/sec
Preset Speed	Pan: 60°/sec, Tilt: 30°/sec
Preset Number	255 presets (10 presets by remote controller)
Other Parameter	
Supply Adapter	AC110V-AC220V to DC12V/1.5A
Dimension	150mmX150mmX167.5mm
Weight	1.4KG
Remote Operation (IP)	Remote Upgrade, Reboot and Reset
Accessory	
Random Accessory	12V/1.5A Power Supply, RS232 Control Line, Remote Controller, Manual, Warranty Card
Optional Accessories	Mounting Bracket

Dimension(mm)

