

## ACCESSORIES

### Model AMS-10K

#### 10K Linear Taper Pot & Knob Assembly

#### Terminal block connections

- Mounts in D-Style Standard Cutouts
- Mounts in all AMS Mounting Frames
- Mounts in RDL Decora-Style Wall Plates
- Availability of a Wide Variety of Associated AMS Accessories
- Bezel Provides Professional Aesthetic Appearance
- Provides Flexibility for Connections and Controls



The AMS SYSTEM is a versatile product group from Radio Design Labs. The unique design allows the associated AMS accessories to mount into any standard RDL RACK-UP® or HALF-RACK mounting opening as well as other RDL mounting accessories and enclosures. These optionally available RDL rack mount, wall mount and countertop enclosures make the AMS SYSTEM accessories useful in a wide variety of installations.

**APPLICATION:** The AMS-10K is a user control intended to provide a linear dc control voltage to products equipped with a VCA to control the audio level. It is designed to directly interface with the 0 to 10V 3-wire control input of the VCA. A single shielded pair is normally used. The AMS-10K contains a long-life 10 kΩ potentiometer for adjusting the control voltage. A high quality terminal block is provided for external connections. The AMS-10K mounts in AMS mounting frames and in standard D-style cutouts. The front plate and bracket are constructed of black satin powder coated steel. A black plastic bezel is provided to finish the D-style cutout hole when the accessory is mounted. These accessories are designed to mount behind the front panel of industry products that provide D-style cutouts.

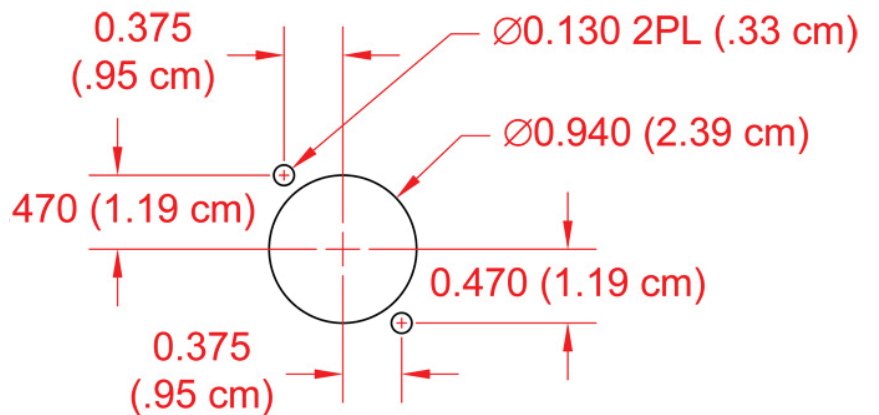
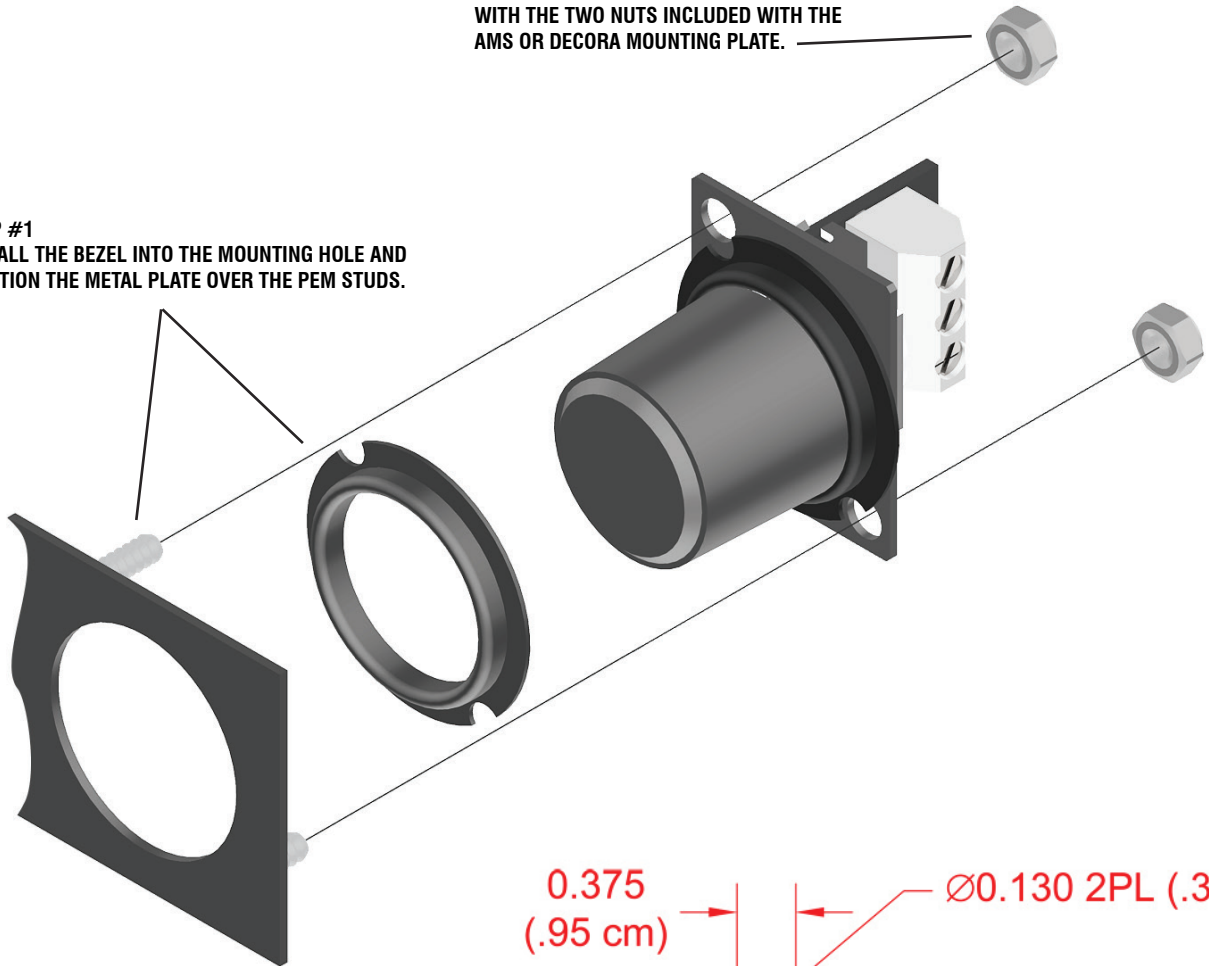
**ACCESSORIES**  
**Model AMS-10K**  
**10K Linear Taper**  
**Pot & Knob Assembly**  
**Terminal block connections**

**Installation/Operation**

**CE** Declaration of Conformity available from rdlnet.com.  
 Sole EMC specifications provided on product package.  
 Specifications are subject to change without notice.

**STEP #1**  
 INSTALL THE BEZEL INTO THE MOUNTING HOLE AND  
 POSITION THE METAL PLATE OVER THE PEM STUDS.

**STEP #2**  
 SECURE THE AMS-10K ONTO THE PEM STUDS  
 WITH THE TWO NUTS INCLUDED WITH THE  
 AMS OR DECORA MOUNTING PLATE.



Front View  
 Standard D-Style Cutout Dimensions

**TYPICAL PERFORMANCE**

Mounting:	AMS mounts; D-Style cutouts
Depth (behind the panel):	1.00 in
Ambient Operating Environment:	0 to 70 degrees C