

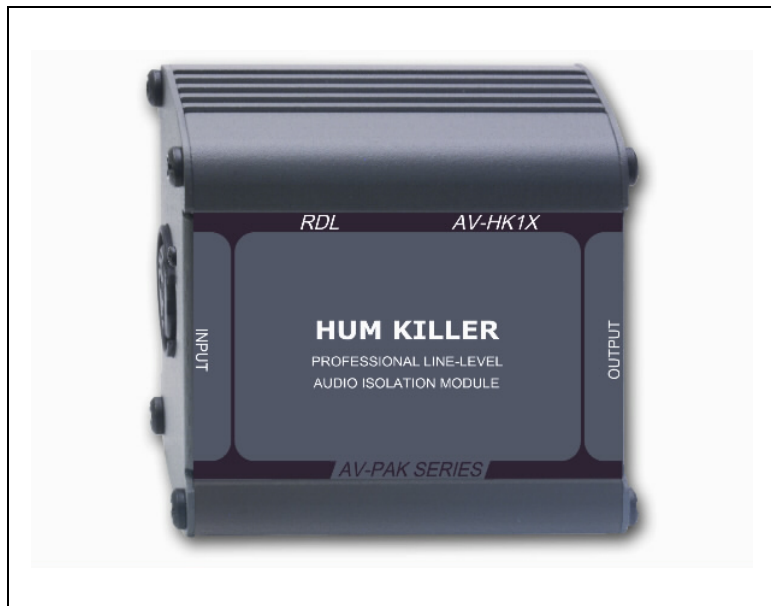


## AV-PAK™ Series Model AV-HK1X “Hum Killer” Audio Isolation Module

### ANYWHERE YOU NEED...

- Ground Isolation in Balanced Line
- Line-Level Ground-Loop Elimination
- Balanced Mono Galvanic Isolation
- Isolation in Rugged Field Case
- Portable or Permanent Isolation Module

### *You Need The AV-HK1X!*



The AV-PAK Series is a versatile product group from Radio Design Labs. The heavy-duty metal design allows the products to be used for both portable and fixed installations. These products feature the dark RDL *ULTRASTYLE™* color complement making the modules ideal for use on stage as well as in an office or meeting room.

**APPLICATION:** The AV-HK1X is a mono transformer isolation module for use with a balanced, low impedance source and either a low or high impedance load. Input and output connections are provided on XLR jacks with gold-plated contacts.

The shield (pin 1) connection of the **INPUT** jack is electrically isolated from the case and from the output ground (pin 1) at audio frequencies. The ground (pin 1) connection of the **OUTPUT** jack is connected to the case shield. The user audio source, such as a mixer, preamplifier or other professional audio product, connects to the AV-HK1X **INPUT**. The module **OUTPUT** should be connected to the input of the grounded amplifier or mixer in the audio system.

Galvanic isolation between the input and output is provided by a studio quality audio transformer. The AV-HK1X breaks the “ground loop” connection that can produce hum in a sound system. The input connector shield does provide a radio frequency ground return, thereby preserving system immunity to radio interference.

The AV-HK1X is a rugged product designed for portable use. For fixed installations, a mounting bracket is included. Wherever mono ground isolation is required for a balanced audio input, the AV-HK1X is the ideal choice. Use the AV-HK1X with other RDL modules and products to form a complete audio/video system.



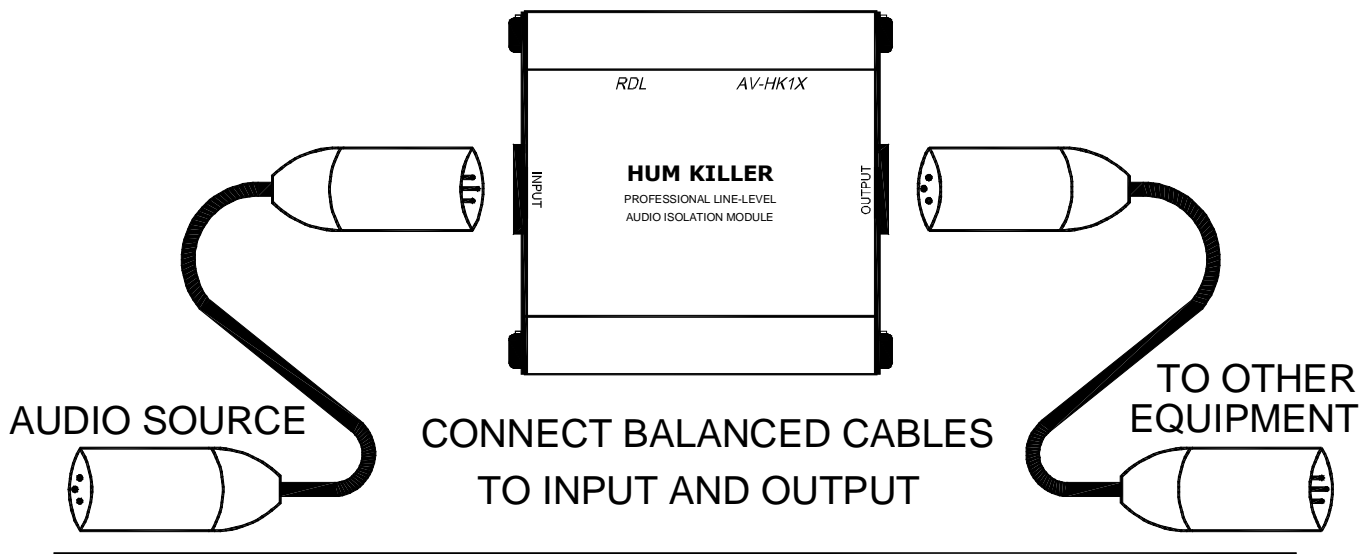
# AV-PAK™ Series

## Model AV-HK1X “Hum Killer”

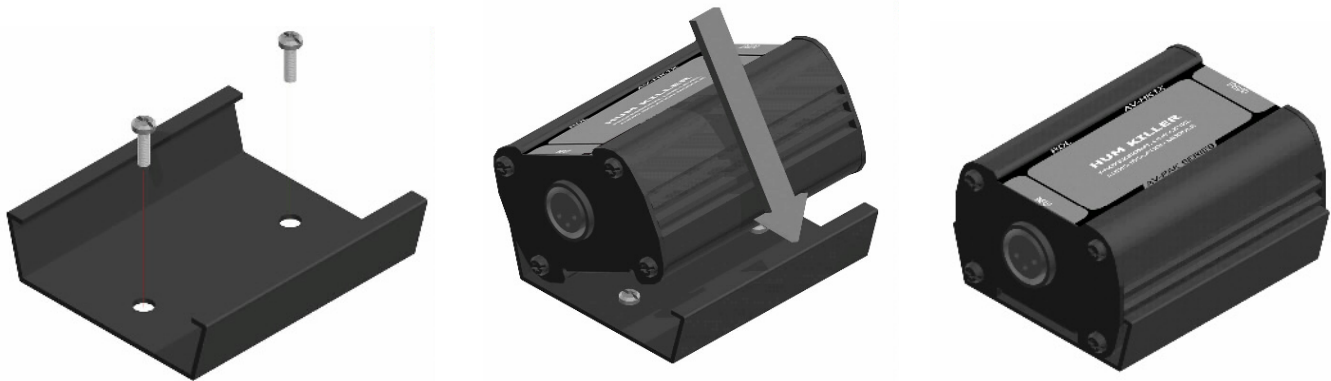
### Audio Isolation Module

## Installation/Operation

**CE** EN55103-1 E1-E5; EN55103-2 E1-E4  
 Typical Performance reflects product at publication time exclusive of EMC data, if any, supplied with product. Specifications are subject to change without notice.



For permanent installation, fasten bracket to surface and snap module into position:



### TYPICAL PERFORMANCE:

Input:	+4 dBu nominal
Output:	+4 dBu nominal
Frequency Response:	20 Hz to 50 kHz (+/- 0.1 dB)
THD+N:	<0.15% (20 Hz to 20 kHz; 150 Ω source, 10 kΩ load); 0.002% @ 1 kHz
Dimensions:	Height: 1.75 in. 4.45 cm (unmounted)
	Height: 1.95 in. 4.95 cm (mounted)
	Width: 2.90 in. 7.37 cm
	Length: 3.25 in. 8.26 cm
Finish:	RDL Dark <i>ULTRASTYLE™</i> (dark gray with beige lettering)