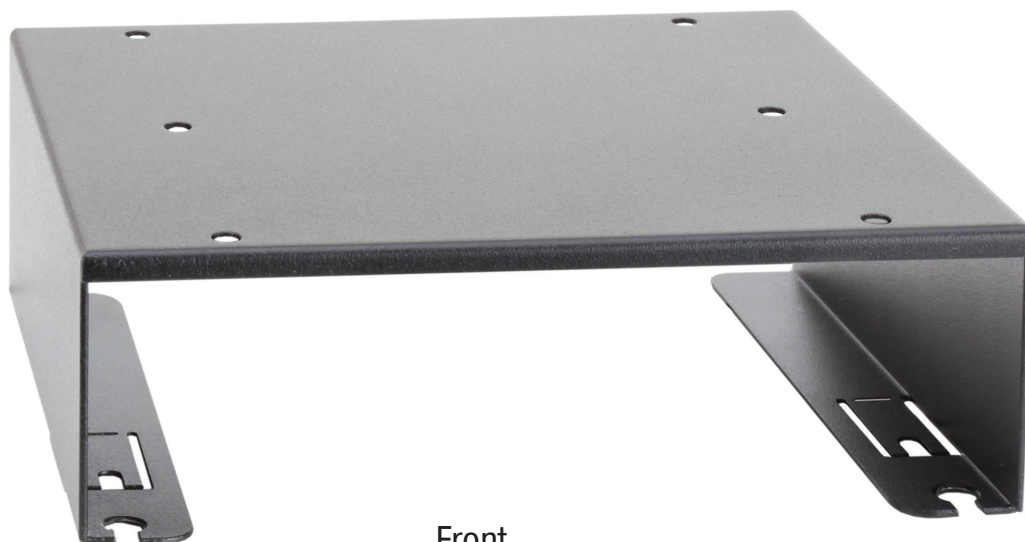




SPECIALISTS IN PRACTICAL PRECISION ENGINEERING™

ACCESSORIES
Model RU-BR1
Mounting Bracket for RACK-UP Series

The RU-BR1 mounts a RACK-UP module below a horizontal surface.



Front




Front with Product Installed
(RU-SM16D available separately)



SPECIALISTS IN PRACTICAL PRECISION ENGINEERING™

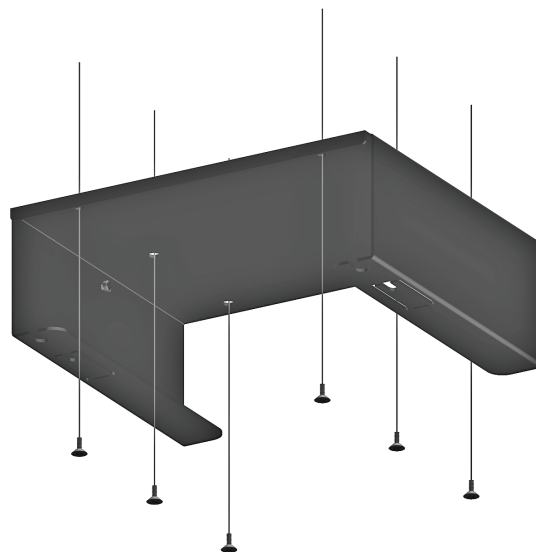
Model RU-BR1 Mounting Bracket for RACK-UP Series

Installation/Operation

 Declaration of Conformity available from rdlnet.com.
Sole EMC specifications provided on product package.
Specifications are subject to change without notice.



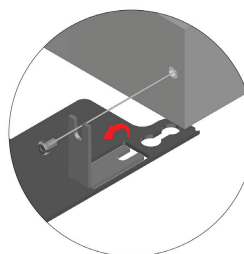
STEP #1
Start the screws into the bottom of the RACK UP to be mounted in the RU-BR1 but do not install them all the way.



STEP #2
Secure the RU-BR1 to the desired mounting surface.
(Mounting hardware not provided)



STEP #3
Secure the unit to the mounting chassis by sliding the unit rearward into the RU-BR1 so that the screws seat into the mounting holes. Tighten the screws.



NOTE: When installing a RACK UP product that is in a plastic box start by removing the screws from the back of the RACK UP. Bend the tabs on the mounting unit up at a 90° angle. Secure the unit to the mounting chassis using the screws.

Radio Design Labs Technical Support Centers