



SPECIALISTS IN PRACTICAL PRECISION ENGINEERING™

ACCESSORIES
Model SF-UCB2
Under Counter Bracket Pair for SysFlex Products



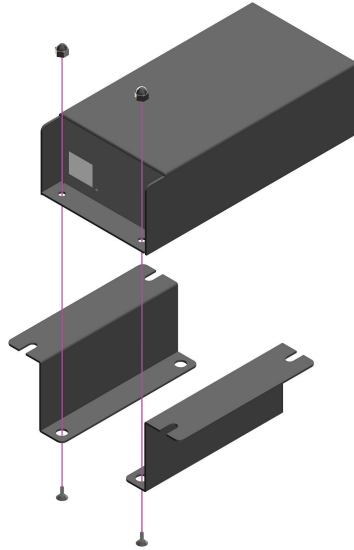
SF-UCB2



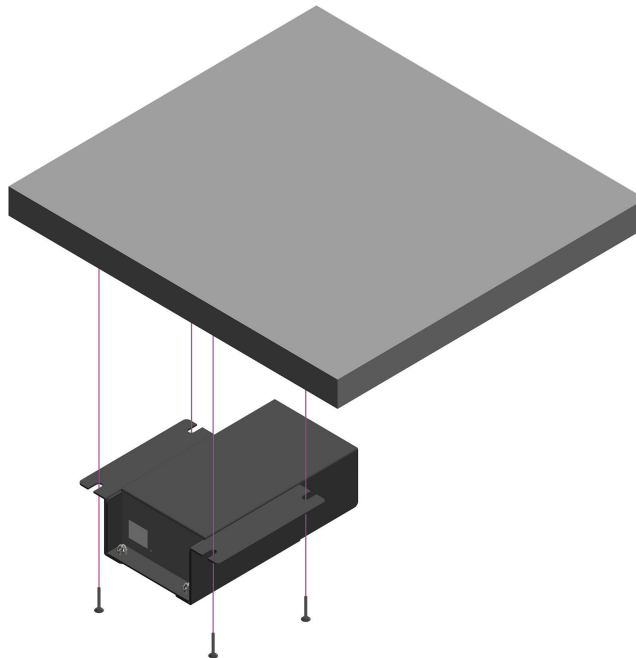
With Product Installed
(SF-DN4 Available Separately)

ACCESSORIES
Model SF-UCB2
Under Counter Bracket Pair
for SysFlex Products

Installation/Operation



STEP #1
Using the included screws and acorn nuts, attach the SF-UCB2 brackets to the unit to be mounted.



STEP #2
Attach the brackets and the unit to be mounted to the mounting surface with 4 screws. (Not included)