

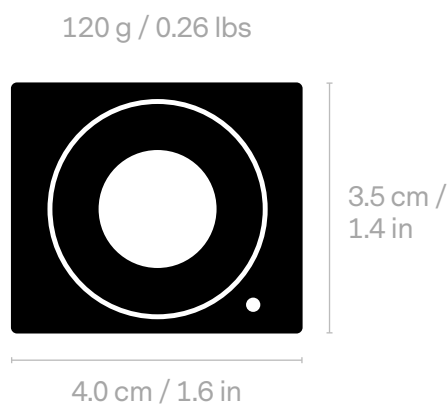
Huddly ONE

Work From Anywhere kit



Huddly ONE

Spec Sheet



Features

- Desktop Framing
- Portrait Lighting
- High-quality scaling and dewarping
- Automatic white balance and color correction
- Balanced optical aberration correction
- 4x digital zoom
- Low latency video processing

Image

- 12 Megapixels 1/2.3" CMOS sensor
- 1080p Full HD @ 30 fps
- 720p HD @ 30 fps
- 16:9 aspect ratio output
- UVC 1.1 plug-and-play compatible

Connection Types

- USB Type-C connector
- SuperSpeed USB 3
- Power requirement 5V 900mA

Optics

- Ultra-wide angle glass optics
- Horizontal field of view 120°
- Vertical field of view 90°
- Diagonal field of view 150°
- f/2.8 aperture

Hardware Specifications

- Aluminium unibody construction
- High-performance video processing engine
- Neural compute engine
- Beamforming microphone array
- Embedded mounting hinge
- Camera tripod mount

Color

Matte Black

Huddly ONE

Features

Convolutional Neural Network

Multi-layered CNN design allows Huddly IQ to instantly identify visual patterns, and detect people and objects

Neural Compute Engine based on Intel Movidius MyriadX

Edge-based Machine Learning platform that enables onboard intelligent features such as Genius Framing and InSights analytics

Desktop Framing

A default zoom level customized to best suit the one-person home office scenario. The framing can be adjusted to suit personal preference anytime

Portrait Lighting

The camera uses AI to understand the lighting conditions in the image and automatically adjusts exposure to ensure that the face is well-lit and facial expressions are clearly visible

Visual Noise Filtering

Bias compensating spatio-temporal filtering with wide area chroma filtering

Dynamic Light Optimization

Adapts to poor lighting conditions

Real-Time Dewarping

The wide-angle image is dewarped and perspective corrected in real time, rendering a natural, true-to-life view

Software-upgradable

Designed to get even smarter over time with regular enhancements and new intelligent feature releases

180° Auto-Flip

When mounted upside down, the camera automatically provides the correct view

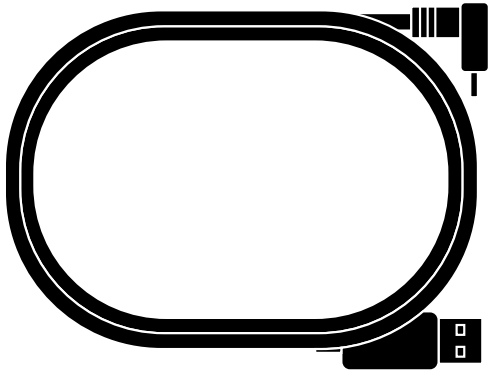
Digital Pan/Tilt/Zoom

Huddly IQ has no moving parts, making it compact and silent, as well as more reliable and accurate. Instantly pan, tilt and zoom digitally up to 4 times

USB 3

Type C to A Cable 2.0 m

Spec Sheet



Dimensions & type

Length:	2.0 m
Host side plug type:	Type A
Host side plug dimensions:	34 (length), 15 (width), 7 (height) mm
Device side plug type:	Angled Type-C
Device side plug dimensions:	17.8 (length), 12.3 (width), 20 (height) mm
Color:	Black
Weight:	46 g
Cable diameter:	4.5 mm
Minimum bend radius of cable:	15 mm

Temperature

Operating temperature:	0 - 50°C
------------------------	----------

USB support

USB 1.1 FS/ 2.0 HS support
USB 3.1 Gen 1 support (5 Gbps)

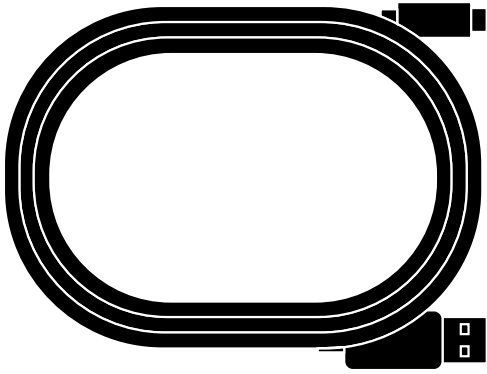
Power

Cable power supply required:	No
Cable power supply information:	N/A
Cable AWG:	22 (PWR) 32 (USB 2) 28 (USB 3)
Insertion loss:	-16.5dB @ 7.5GHz -3.1dB @ 400Mhz
Voltage:	5 V
Rated current (max):	3 A

USB 3

Type C to A Cable 0.6 m

Spec Sheet



Dimensions & type

Length:	0.6 m
Host side plug type:	Type A
Host side plug dimensions:	35 (length), 16 (width), 7 (height) mm
Device side plug type:	Type-C
Device side plug dimensions:	26.7 (length), 12.3 (width), 6.4 (height) mm
Color:	Black
Weight:	24 g
Cable diameter:	4.0 mm
Minimum bend radius of cable:	15 mm

Temperature

Operating temperature:	0 - 50°C
------------------------	----------

USB support

USB 1.1 FS/ 2.0 HS support
USB 3.1 Gen 1 support (5 Gbps)

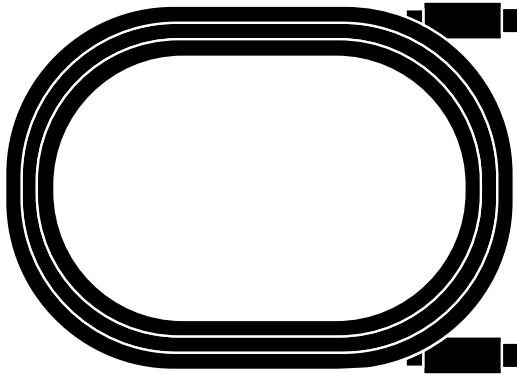
Power

Cable power supply required:	No
Cable power supply information:	N/A
Cable AWG:	23 (PWR) 30 (USB 2) 32 (USB 3)
Insertion loss:	-10 dB @ 7.5GHz (SS) -5.8dB @ 400MHz (DD)
Voltage:	5 V
Rated current (max):	2 A

USB 3

Type C to C Cable 0.6 m

Spec Sheet



Dimensions & type

Length:	0.6 m
Host side plug type:	Type-C
Host side plug dimensions:	27 (length), 12.4 (width), 6.5 (height) mm
Device side plug type:	Type-C
Device side plug dimensions:	27 (length), 12.4 (width), 6.5 (height) mm
Color:	Black
Weight:	29 g
Cable diameter:	4.0 mm
Minimum bend radius of cable:	15 mm

Temperature

Operating temperature:	0 - 50°C
------------------------	----------

USB support

USB 1.1 FS/ 2.0 HS support
USB 3.1 Gen 1 support (5 Gbps)

Power

Cable power supply required:	No
Cable power supply information:	N/A
Cable AWG:	26 (PWR) 32 (USB 2) 34 (USB 3)
Voltage:	5 V
Rated current (max):	900 mA